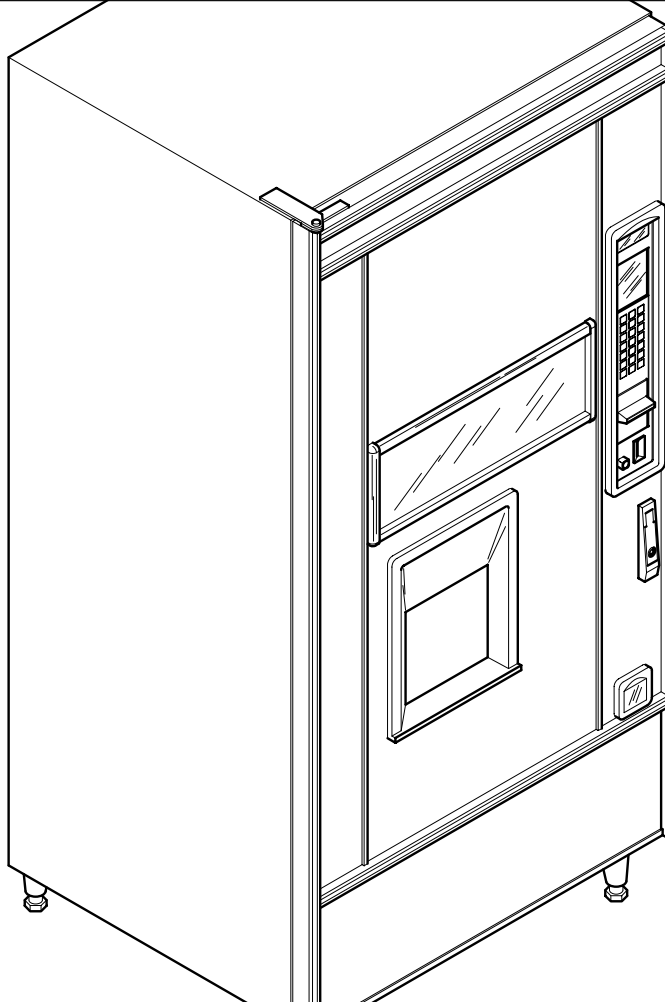


6740002

Model 674, 676

GPL HotCup



Parts Manual



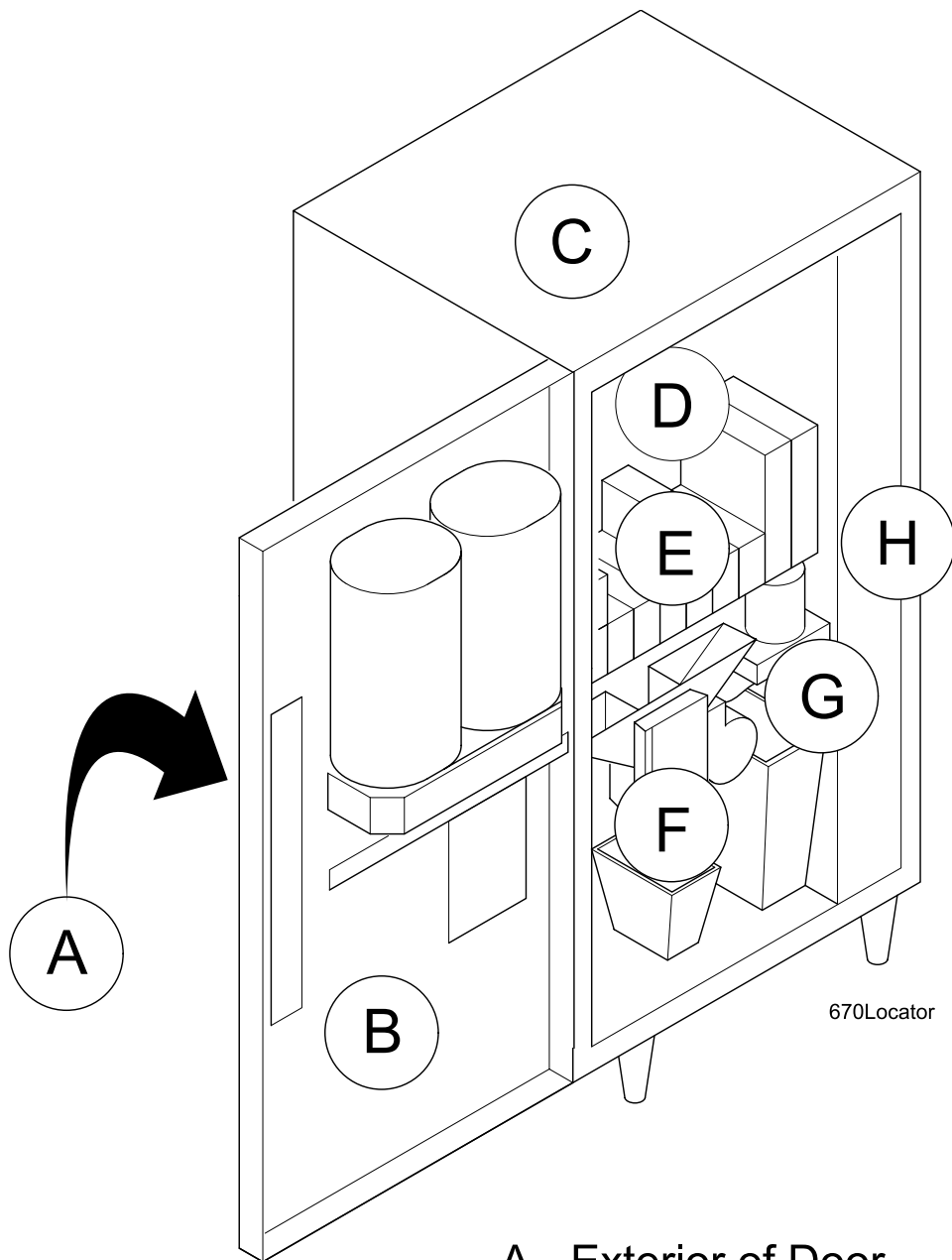
The Right Part, Right Now

CRANE MERCHANDISING SYSTEMS™ A Crane Co. Company
CMS PARTS & SUPPORT

12955 Enterprise Way
Bridgeton, Missouri 63044-1200
(314) 298-3500 / (800) 621-7278

www.cranems.com

6740002



- A - Exterior of Door
- B - Interior of Door
- C - Cabinet
- D - Water Tank, Water Filters
- E - Product Canisters
- F - Cup Station
- G - Brewer
- H - Monetary

Crane Merchandising Systems Parts and Support
Parts: 1-800-621-7278 Service: 1-800-628-8363

List of Figures

Section A: Exterior of Door

Figure 1: 674 Merchandiser	2
Figure 2: Door Assembly - Exterior	4
Figure 3: GPL Trim	6
Figure 4: Trim and Panels.....	8
Figure 5: Display Assembly	10

Section B: Interior of Door

Figure 6: Door Assembly - Interior	12
Figure 7: Door Lock Mechanism	14
Figure 8: Door Lock and Handle Assembly	16
Figure 9: Coin Receptacle Assembly	18
Figure 10: Turret and Canister Assembly - 4 Column.....	20
Figure 11: Canister Assembly	22
Figure 12: Cup Ring Assembly	24
Figure 13: Automatic Delivery Door	26

Section C: Cabinet Misc. Parts

Figure 14: Cabinet Assembly (Part 1 of 2).....	28
Figure 15: Cabinet Assembly (Part 2 of 2).....	30
Figure 16: Service Light/Bracket Assembly - 115 V.....	32
Figure 17: Miscellaneous Mounted Parts - Lower Door.....	34
Figure 18: Hinge Assembly - Upper.....	36
Figure 19: Leg Leveler and Leg and Hinge Assemblies	38
Figure 20: Base Plate Assembly (Optional).....	40
Figure 21: Overflow Switch Assembly	42
Figure 22: Bracket Blower and Cover Assembly	44

Section D: Water Tank, Water Filters

Figure 23: Water Tank Assembly.....	46
Figure 24: Lid Assembly - Water Tank.....	48
Figure 25: Filter and Head Assembly - Hydro Life 115V.....	50
Figure 26: Filter Head Assembly - Everpure 115V	52
Figure 27: Filter Head Assembly - Cuno 115V	54
Figure 28: Bracket and Valve Assembly	56

Section E: Product Canisters

Figure 29: Canister Support Assembly	58
Figure 30: Canister Motor and Plate Assemblies	60
Figure 31: Mixing Bowl and Whipper Assembly	62
Figure 32: Product/Condiment Chutes	64
Figure 33: Product and Condiment Canisters.....	66
Figure 34: Canister Assembly - Chocolate	68
Figure 35: Canister Assembly - Optional Product or Decaf	70
Figure 36: Canister Assembly - Lightener	72
Figure 37: Canister Assembly - Sugar.....	74
Figure 38: Canister Assembly - Freeze Dried Coffee	76
Figure 39: Canister Assembly - Fresh Brew Coffee	78

Section F: Cup Station

Figure 40: Cup Delivery Assembly	80
Figure 41: Cup Station Support	82

Section G: Brewer

Figure 41: Brewer Assembly with Hoses and Mixing Bowl.....	84
Figure 42: Brewer Assembly with Filter	86
Figure 43: Brewer Assembly without Filter	88
Figure 44: Gear Train Assembly.....	90
Figure 45: Carrier and Cam Follower Assembly	92
Figure 46: Idle Axle and Roller Assembly.....	94
Figure 47: Filter Paper - Pump/Brewer Drive (location).....	96
Figure 48: Filter Paper Housing.....	98
Figure 49: Pump Assembly.....	100
Figure 50: Brewer Drive Assembly	102
Figure 51: Mixing Bowl and Brewer Ventilation System	104
Figure 52: Vent Tubing (Model 674 Only).....	106
Figure 53: Vent Tubing (Model 676 Only).....	108

Section G: Monetary

Figure 54: Monetary Panel (Part 1 of 3)	110
Figure 55: Monetary Panel (Part 2 of 3)	112
Figure 56: Monetary Panel (Part 3 of 3)	114
Figure 57: Card Reader and Bill Validator Options.....	116
Figure 58: Power Panel Assembly.....	120
Figure 59: Monetary Channel	122
Figure 60: Wiring Diagram - 115 V	124

List of Tables

Section A: Exterior of Door

Table 1: 674 Merchandiser	3
Table 2: Door Assembly - Exterior	5
Table 3: GPL Trim.....	7
Table 4: Trim and Panels.....	9
Table 5: Display Assembly.....	11

Section B: Interior of Door

Table 6: Door Assembly - Interior	13
Table 6A: Bag Assembly B6700000	13
Table 7: Door Lock Mechanism	15
Table 8: Door Lock and Handle Assembly.....	17
Table 9: Coin Receptacle Assembly	19
Table 10: Turret and Canister Assembly - 4 Column.....	21
Table 11: Canister Assembly	23
Table 12: Cup Ring Assembly	25
Table 13: Automatic Delivery Door	27

Section C: Cabinet Misc. Parts

Table 14: Cabinet Assembly (Part 1 of 2).....	29
Table 15: Cabinet Assembly (Part 2 of 2).....	31
Table 16: Service Light/Bracket Assembly - 115 V.....	33
Table 17: Miscellaneous Mounted Parts - Lower Door	35
Table 18: Hinge Assembly - Upper	37
Table 19: Leg Leveler and Leg and Hinge Assemblies	39
Table 20: Base Plate Assembly (Optional)	41
Table 21: Overflow Switch Assembly.....	43
Table 22: Bracket Blower and Cover Assembly.....	45

Section D: Water Tank & Filters

Table 23: Water Tank Assembly.....	47
Table 24: Lid Assembly - Water Tank.....	49
Table 25: Filter and Head Assembly - Hydro Life 115V.....	51
Table 26: Filter Head Assembly - Everpure 115V.....	53
Table 27: Filter Head Assembly - Cuno 115V.....	55
Table 28: Bracket and Valve Assembly	57

Section E: Product Canisters

Table 29: Canister Support Assembly	59
Table 30: Canister Motor and Plate Assemblies.....	61
Table 30A: Tubing (not shown).....	61
Table 31: Mixing Bowl and Whipper Assembly.....	63

Section E: Product Canisters (continued)

Table 32: Product/Condiment Chutes.....	65
Table 33: Product and Condiment Canisters.....	67
Table 34: Canister Assembly - Chocolate	69
Table 35: Canister Assembly - Optional Product or Decaf	71
Table 36: Canister Assembly - Lightener.....	73
Table 37: Canister Assembly - Sugar	75
Table 38: Canister Assembly - Freeze Dried Coffee	77
Table 39: Canister Assembly - Fresh Brew Coffee.....	79

Section F: Cup Station

Table 40: Cup Delivery Assembly.....	81
Table 41: Cup Station Support	83

Section G: Brewer

Table 42: Brewer Assembly with Hoses and Mixing Bowl	85
Table 43: Brewer Assembly with Filter	87
Table 44: Brewer Assembly without Filter	89
Table 45: Gear Train Assembly	91
Table 46: Carrier and Cam Follower Assembly	93
Table 47: Idle Axle and Roller Assembly - Right	95
Table 47A: Idle Axle and Roller Assembly - Left	95
Table 48: Filter Paper - Pump/Brewer Drive (location)	97
Table 49: Filter Paper Housing	99
Table 50: Pump Assembly.....	101
Table 51: Brewer Drive Assembly	103
Table 52: Mixing Bowl and Brewer Ventilation System	105
Table 53: Vent Tubing (Model 674 Only).....	107
Table 54: Vent Tubing (Model 676 Only).....	109

Section H: Monetary

Table 55: Monetary Panel (Part 1 of 3).....	111
Table 56: Monetary Panel (Part 2 of 3).....	113
Table 57: Monetary Panel (Part 3 of 3).....	115
Table 58: Card Reader and Bill Validator Options	117
Table 58A: Monetary Location Options	117
Table 58B: Coin Mech Options - "Dumb".....	118
Table 58C: Coin Mech Options - "MDB"	118
Table 58D: Bill Validator Options - "Serial"	119
Table 58E: Bill Validator Options - "Pulse"	119
Table 58F: Bill Validator Options - "MDB"	119
Table 59: Power Panel Assembly.....	121
Table 60: Monetary Channel	123

Notes:

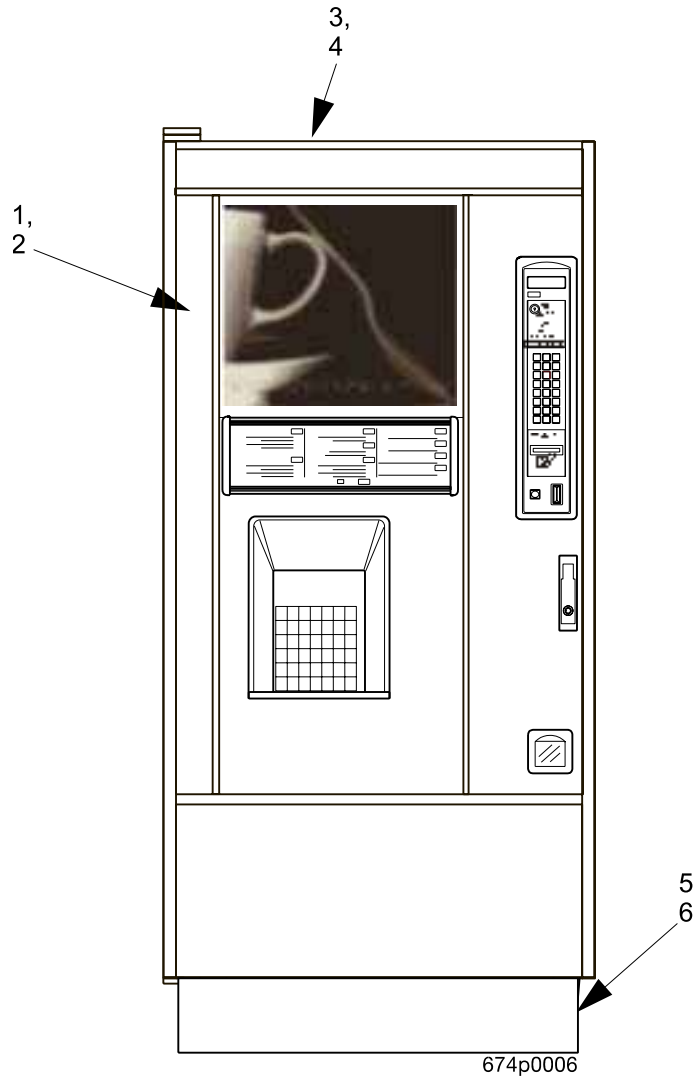
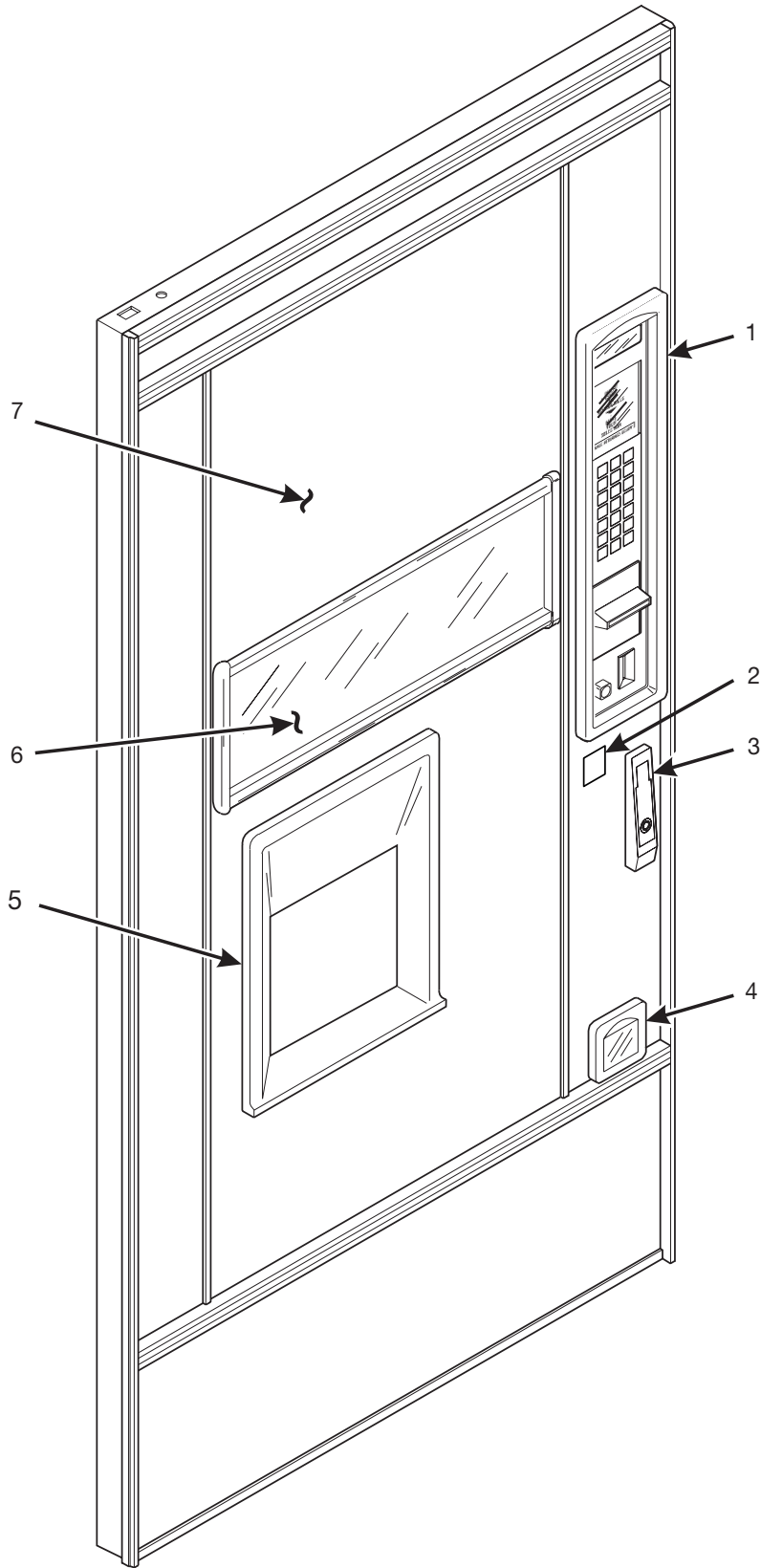


FIGURE 1 674 MERCHANDISER

TABLE 1: 674 MERCHANDISER

INDEX	DESCRIPTION
1	DOOR ASSEMBLY - EXTERIOR (SEE FIGURE 2 FOR DETAILS)
2	DOOR ASSEMBLY - INTERIOR (SEE FIGURE 6 FOR DETAILS)
3	CABINET ASSEMBLY (PART 1 OF 2) (SEE FIGURE 14 FOR DETAILS)
4	CABINET ASSEMBLY (PART 2 OF 2) (SEE FIGURE 15 FOR DETAILS)
5	BASE PLATE ASSEMBLY (SEE FIGURE 20 FOR DETAILS)
6	LEG LEVELER AND LEG AND HINGE ASSEMBLIES (SEE FIGURE 19 FOR DETAILS)
--	BAG ASSEMBLIES (SEE TABLE 6A FOR DETAILS)



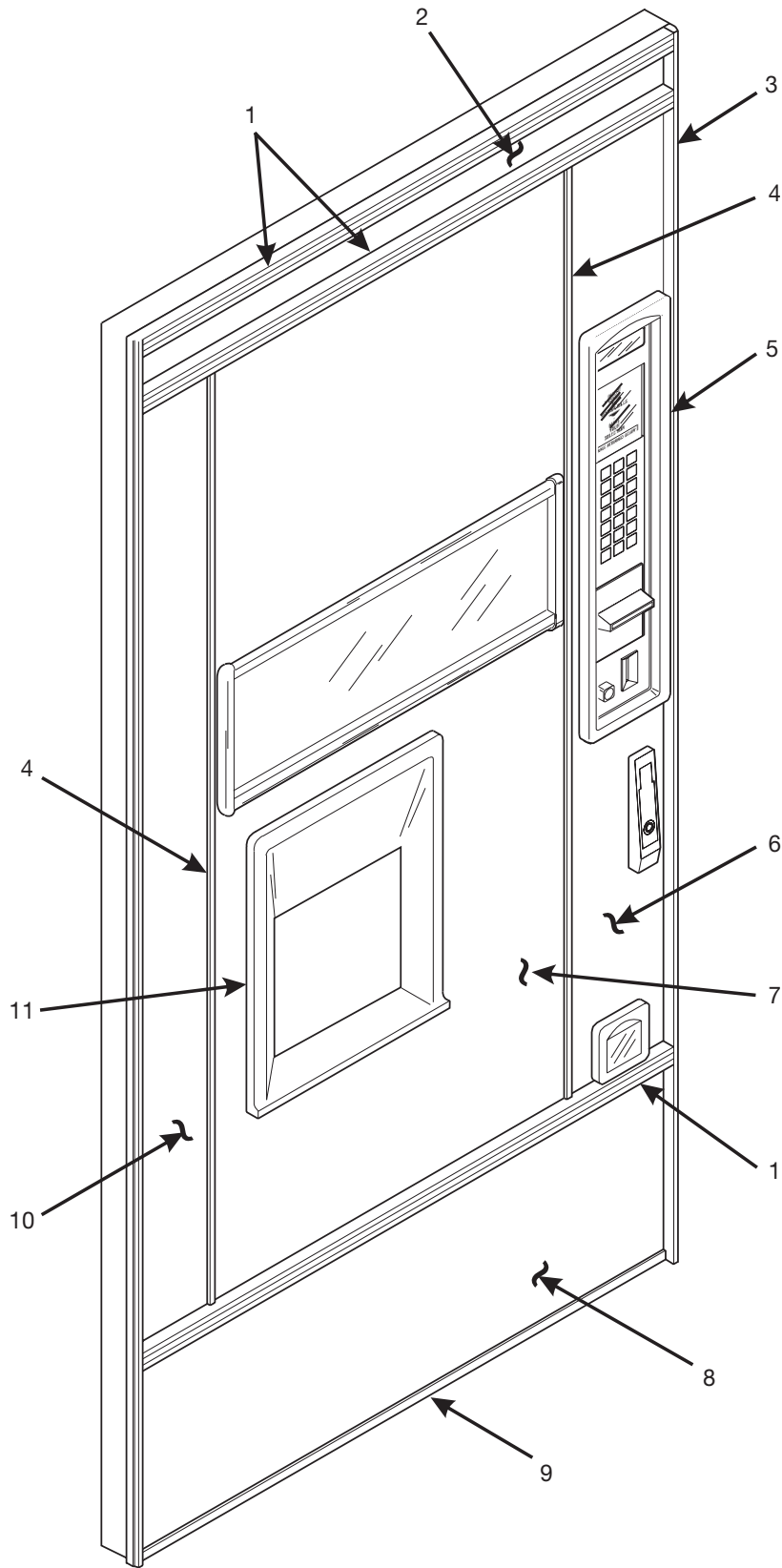
630p0002

FIGURE 2 DOOR ASSEMBLY - EXTERIOR

TABLE 2 DOOR ASSEMBLY - EXTERIOR

INDEX	PART NUMBER	DESCRIPTION	QTY.
1	1575106	CASTING - MONETARY FRAME - BLACK	1
2	6272001	LABEL - CAUTION - HOT DRINK	1
3	--	DOOR LOCK MECHANISM (SEE FIGURE 7 FOR DETAILS)	1
4	--	COIN RECEPTACLE ASSEMBLY (SEE FIGURE 9 FOR DETAILS)	1
5	3152045	FRAME - CUP DELIVERY DOOR	1
6	--	DISPLAY ASSEMBLY (SEE FIGURE 5 FOR DETAILS)	1
7	6342069	DISPLAY PHOTO - P.O.P.	1
--	--	GPL TRIM (SEE FIGURE 3 FOR DETAILS)	--

\



630p0065

FIGURE 3 GPL TRIM

TABLE 3 GPL TRIM

INDEX	PART NUMBER	DESCRIPTION	QTY.
1	1602016	TRIM - DOOR - HORIZONTAL - BLACK	1
	1602030	TRIM - DOOR - HORIZONTAL - CLEAR	
	1602028	TRIM - DOOR - HORIZONTAL - SPECIAL COLOR	
2	1602004	PANEL - TOP TRIM - FLAT T BLACK	1
	1602080	PANEL - TOP TRIM - NV BLACK	
	1602071	PANEL - TOP TRIM - PEPSI	
3	1592069	TRIM - DOOR - SIDE - BLACK	2
	1592032	TRIM - DOOR - SIDE - CLEAR	
4	1592068	TRIM - DOOR - INSIDE - BLACK	2
	1592031	TRIM - DOOR - INSIDE - CLEAR	
5	1575106	CASTING - MONETARY FRAME - BLACK	1
6	1592044	PANEL - RIGHT HAND TRIM - FLAT "T" BLACK	1
	1592035	PANEL - RIGHT HAND TRIM - SPECIAL COLOR	
	1592096	PANEL - RIGHT HAND TRIM - PEPSI	
	1572276	PANEL - RIGHT HAND TRIM - N.V. BLACK	
7	6392028	CENTER TRIM PANEL ASSEMBLY	1
	6342086	CENTER TRIM PANEL ASSEMBLY	
	6382011	CENTER TRIM PANEL ASSEMBLY - FLAT T BLACK	
	6382007	CENTER TRIM PANEL ASSEMBLY - NV BLACK	
	6342068	CENTER TRIM PANEL ASSEMBLY - T GRAY	
8	1602041	PANEL - LOWER - FLAT "T" BLACK	1
	1582111	PANEL - LOWER TRIM - N.V.BLACK	
	1602072	PANEL - LOWER TRIM - PEPSI	
	1602035	PANEL - LOWER TRIM - 32"	
9	1482003	EDGE PROTECTOR	1
10	1592045	PANEL - LEFT HAND TRIM - FLAT "T" BLACK	1
	1592097	PANEL - LEFT HAND TRIM - PEPSI	
	1572279	PANEL - LEFT HAND TRIM - N.V.BLACK	
	1592036	PANEL - LEFT HAND TRIM - SPECIAL COLOR	
11	3152045	FRAME - DELIVERY DOOR	1

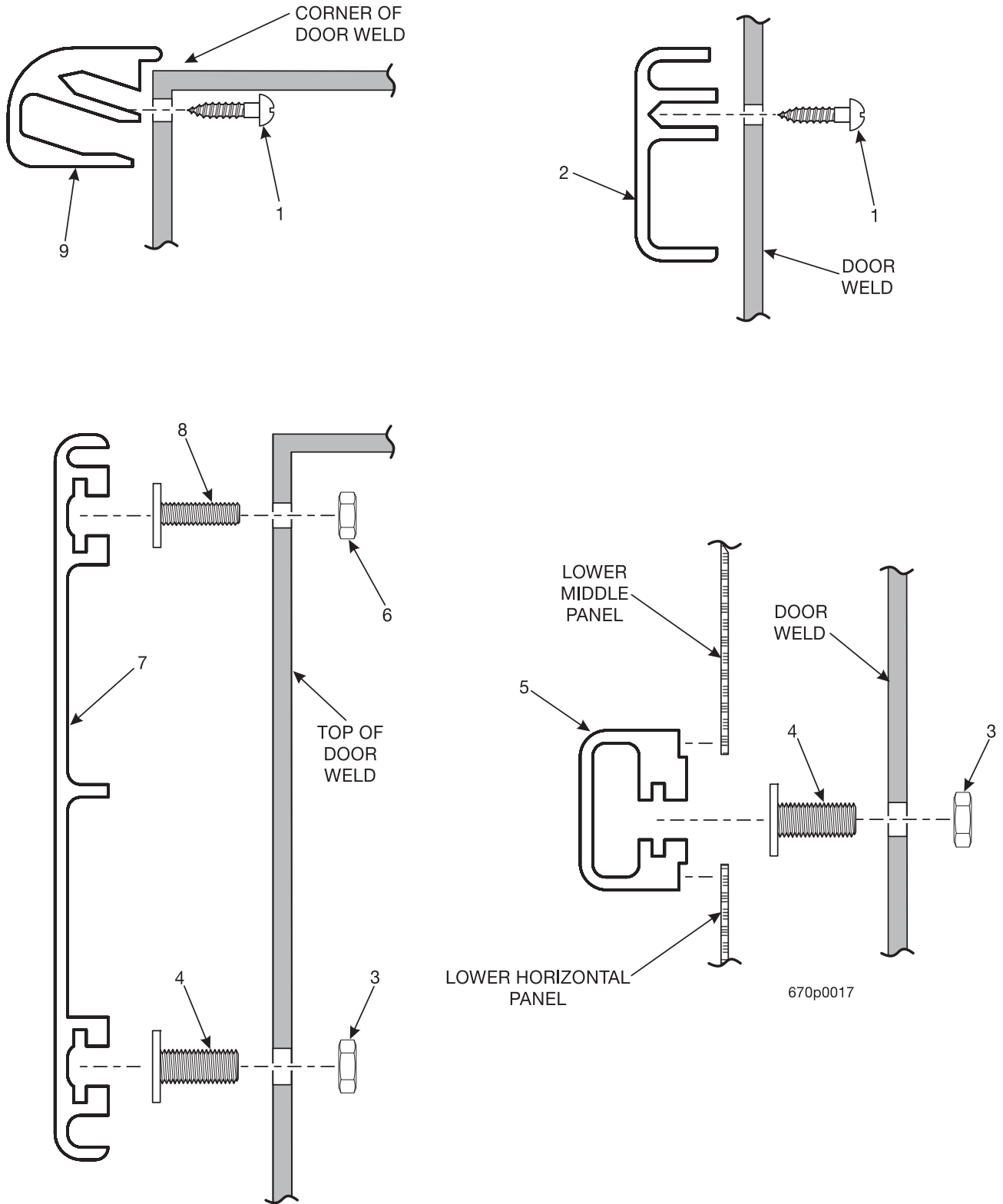


FIGURE 4 TRIM AND PANELS

TABLE 4 TRIM AND PANELS

INDEX	PART NUMBER	DESCRIPTION	QTY.
1	G1472028	SCREW - #6 X .38 SHEET METAL	44
2	1592068	TRIM - DOOR - INSIDE - BLACK	2
	1592031	TRIM - DOOR - INSIDE - CLEAR	
3	9900081	NUT #8-32 KEPS ZINC PLATE	13
4	2222110	T BOLT - TRIM	13
5	1602016	TRIM - DOOR - HORIZONTAL - BLACK	1
	1602030	TRIM - DOOR - HORIZONTAL - CLEAR	
6	9900078	NUT #6-32 KEPS ZINC PLATE	4
7	1602004	PANEL - TOP TRIM - FLAT T BLACK	1
	1602080	PANEL - TOP TRIM - NV BLACK	
	1602071	PANEL - TOP TRIM - PEPSI	
8	1572060	TEE BOLT - TRIM - #6-32 X 3/8	4
9	1592069	TRIM - DOOR - SIDE - BLACK	2
	1592032	TRIM - DOOR - SIDE - CLEAR	

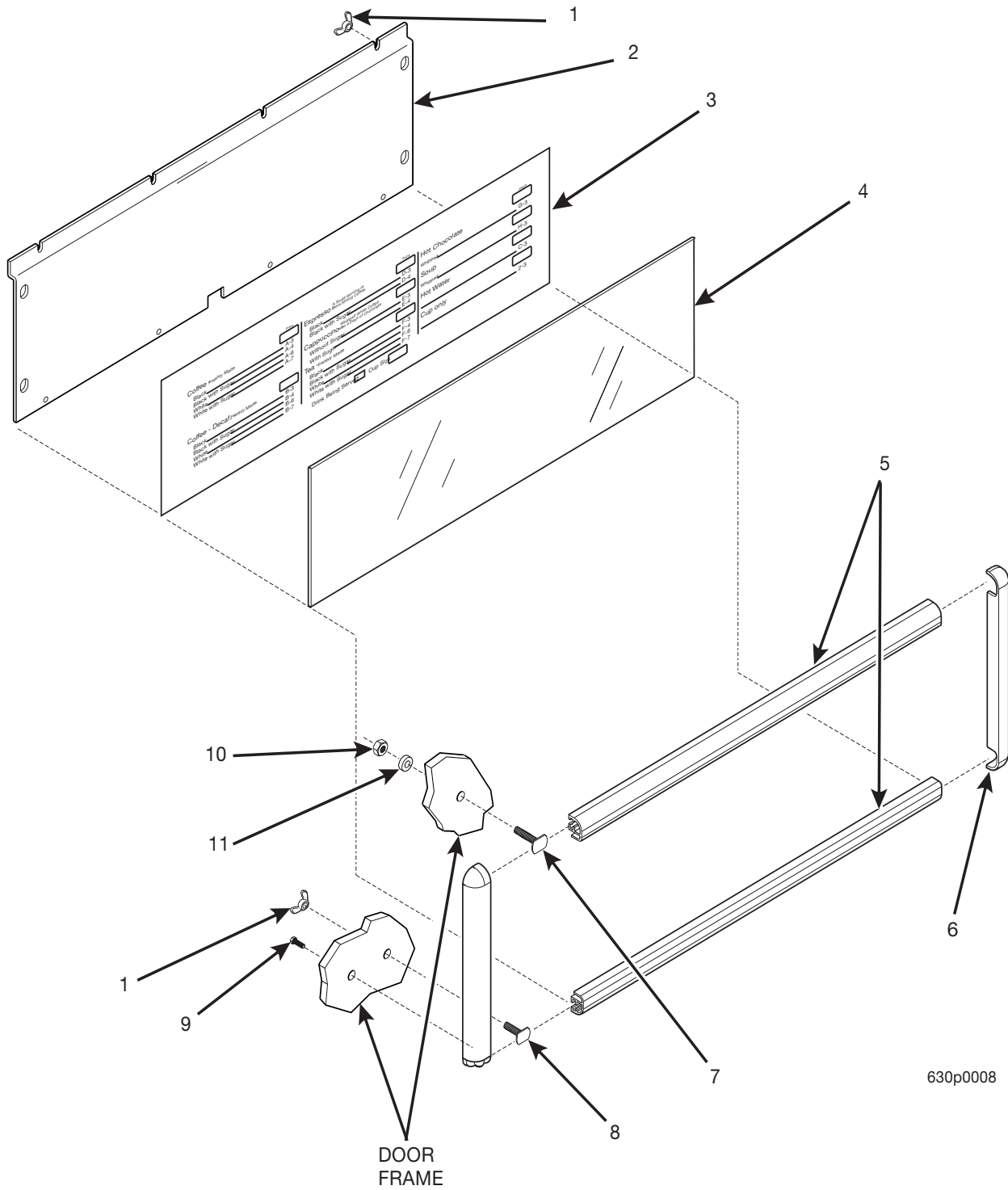
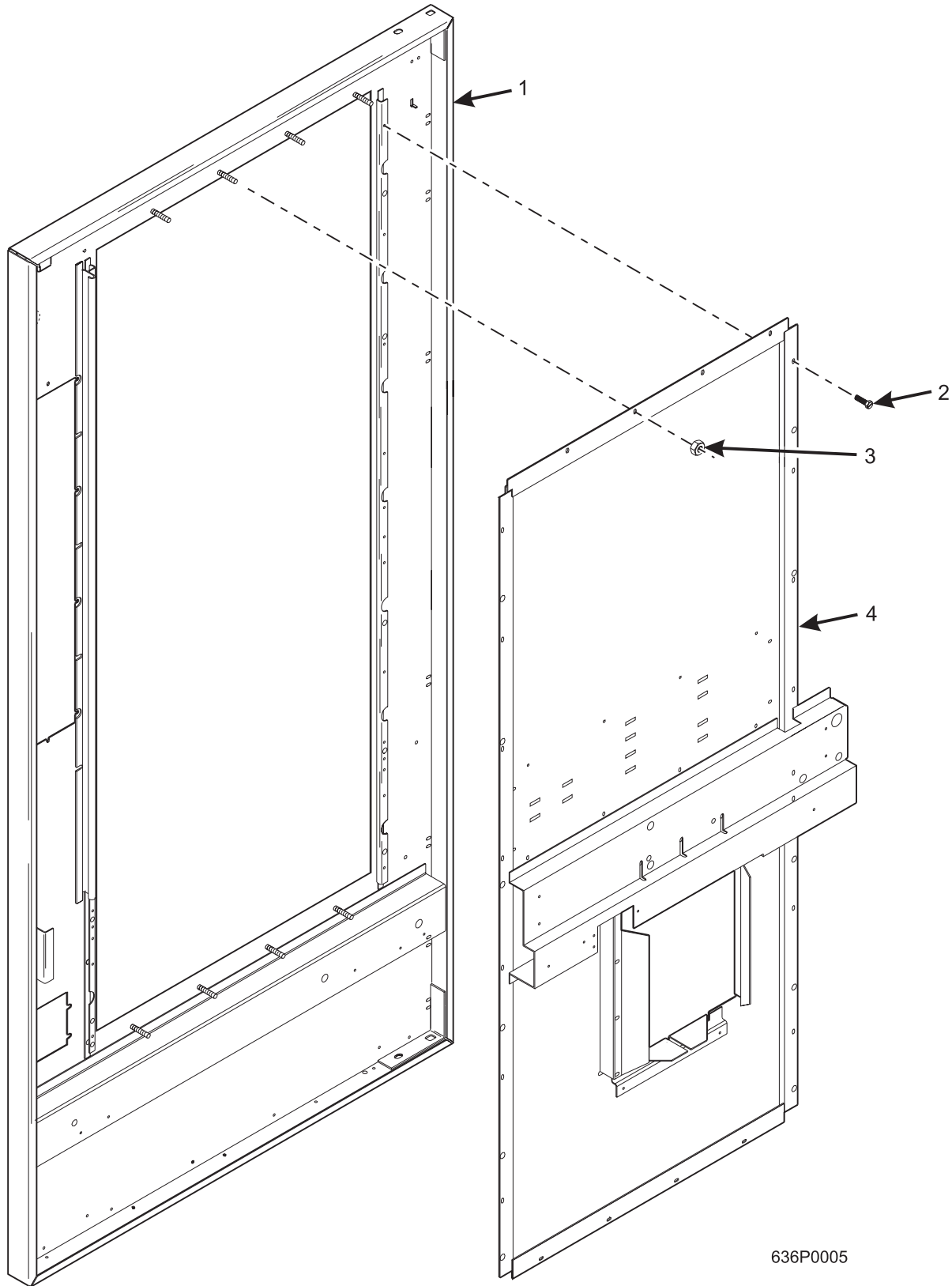


FIGURE 5 DISPLAY ASSEMBLY

TABLE 5 DISPLAY ASSEMBLY

INDEX	PART NUMBER	DESCRIPTION	QTY.
1	9900031	WING NUT - #8-32 FORGED ZINC	4
2	6342079	PLATE - BACKING	1
3	6742003	LABEL - MENU - GPL	1
4	6342082	COVER - MENU INSERT - THICK	1
5	6342081	TRIM - SELECT INSERT	2
6	G6262033	END CAP - MENU BOARD	2
7	2222110	T-BOLT - TRIM	4
8	2222031	T-BOLT - TRIM	4
9	4277042	SCREW - #8-10 X .5 T/F - PHS	4
10	9900081	NUT - #8-32 KEPS ZINC PLATE	8
11	4407042	SPACER - .38 ODX.171IDX12LG	4



636P0005

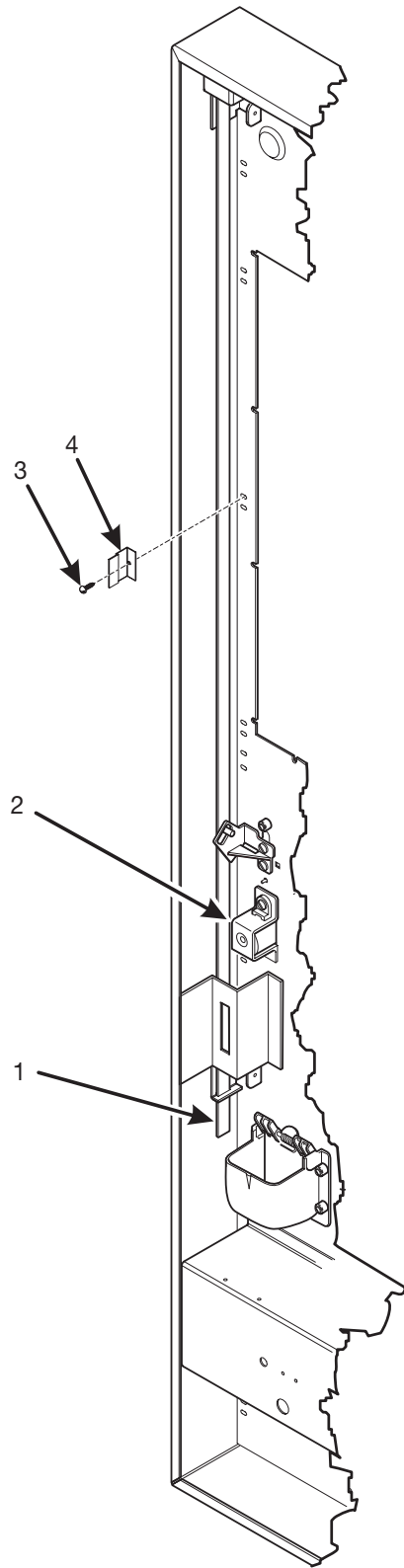
FIGURE 6 DOOR ASSEMBLY - INTERIOR

TABLE 6 DOOR ASSEMBLY - INTERIOR

INDEX	PART NUMBER	DESCRIPTION	QTY.
--	6702021	DOOR ASSEMBLY - COMMON - STANDARD	1
1	6742002	WELD ASSEMBLY - DOOR	1
	6742011	WELD ASSEMBLY - DOOR - N.V.BLACK	
2	1451097	SCREW - #8-32X.31 HEX HD.TF-BLK.	--
3	9900081	NUT #8-32 KEPS ZINC PLATE	--
4	6392028	PANEL ASSEMBLY - CENTER TRIM	1

TABLE 6A: BAG ASSEMBLY B6700000

PART NUMBER	DESCRIPTION	QTY.
1300018	BAG - PLASTIC	1
6232080	LABEL - PRICECUP SIZEBLANK	1
6237117	REMOVAL TOOL - IMPELLER	1
6342012	LABEL - COF/TEA - ENGLISH	1
6740001	OPERATORS GUIDE	1
6702003	LABEL - COVER - UP - GPL - ENGLISH	1
6709000	LIST - HARNESS	1
6732083	LABEL - DRINK FLAVORS #1	1
6732084	LABEL - DRINK FLAVORS #2	1

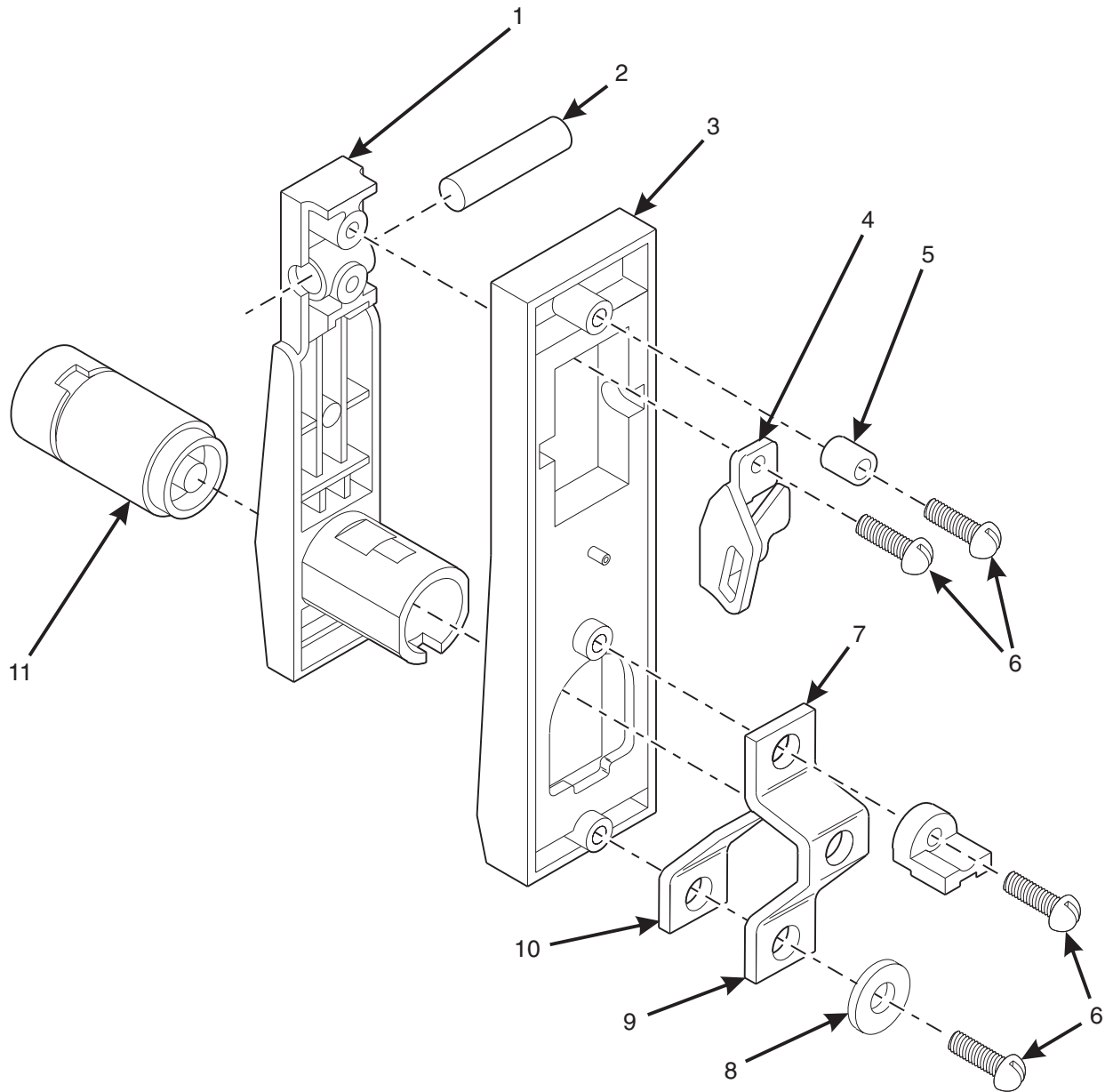


630P0032

FIGURE 7: DOOR LOCK MECHANISM

TABLE 7 DOOR LOCK MECHANISM

INDEX	PART NUMBER	DESCRIPTION	QTY.
1	1472178	LOCKBAR ASSEMBLY	1
2	--	DOOR LOCK AND HANDLE ASSEMBLY (SEE FIGURE 8 FOR DETAILS)	1
3	9900203	SCREW - #8-32 X .31 HEX HD	2
4	1472250	GUIDE - LOCK BAR	1
	1592056	GUIDE - LOCK BAR	
	1572026	GUIDE - LOCK BAR - TOP	
	1572031	GUIDE - LOCK BAR - BOTTOM	

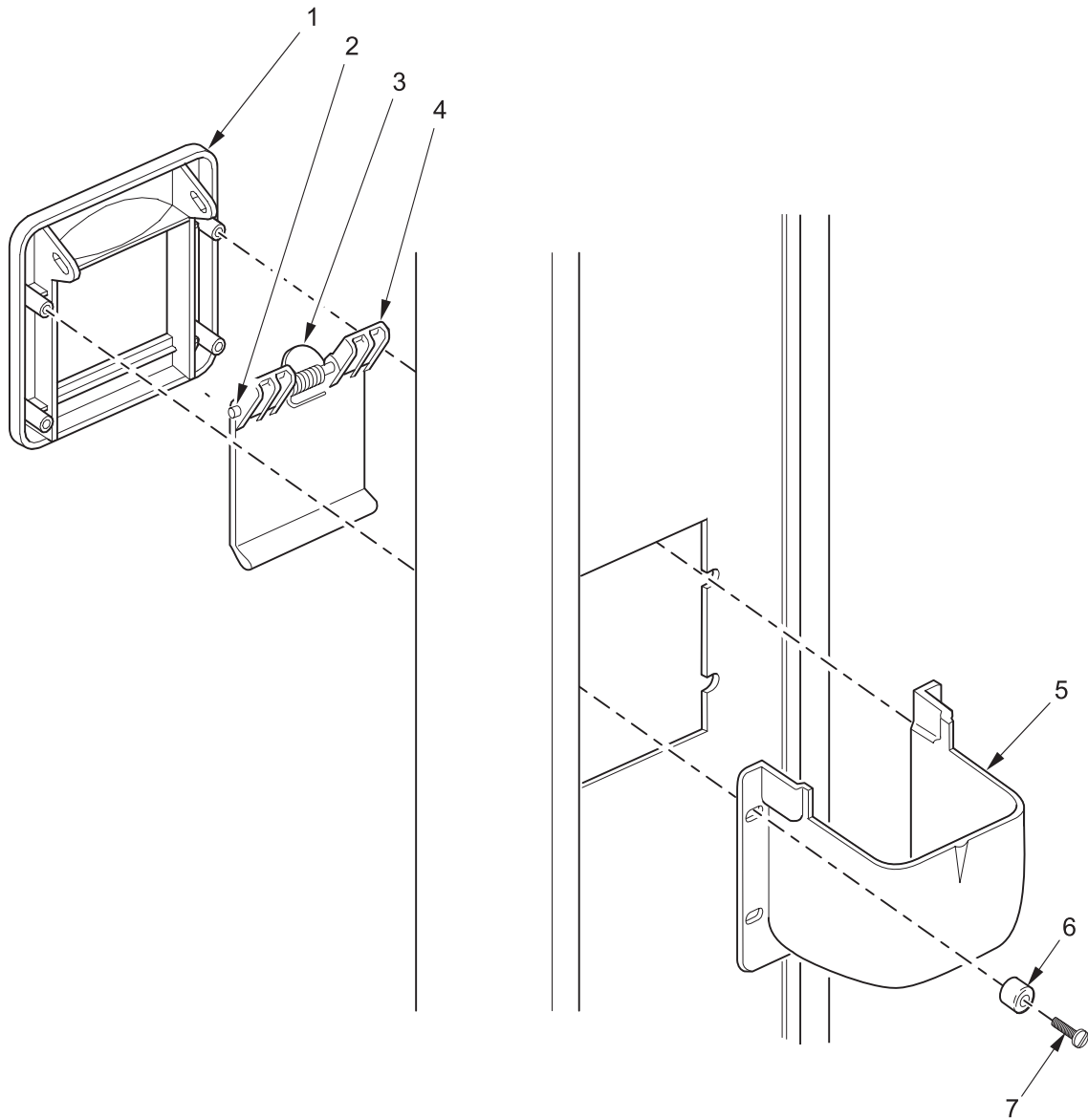


630P0033

FIGURE 8 DOOR LOCK AND HANDLE ASSEMBLY

TABLE 8 DOOR LOCK AND HANDLE ASSEMBLY

INDEX	PART NUMBER	DESCRIPTION	QTY.
1	8905012	LEVER - LOCK	1
2	1302291	PIVOT - LEVER LOCK	1
3	8905011	BASE - LEVER LOCK	1
4	2272052	ACTUATOR ASSEMBLY - LOCK BAR	1
5	1302289	CUP SPACER	2
6	9900170	SCREW - #10-32 X 1/2"PHIL.PAN HD W/L.W.	5
7	1302326	SHIELD - LATCH	1
8	9900121	WASHER - STEEL - 7/16 X .203 X .032	1
9	1302324	CATCH - DOOR LATCH	1
10	1302290	LATCH - LOCK LOWER	1
11	9992400	CYLINDER - LOCK	1
	3112163	CYLINDER - VAN LOCK	(OPT)
--	3112164	KEY (NOT SHOWN) VAN LOCK APPLICATION (NOT SHOWN)	1 (OPT)

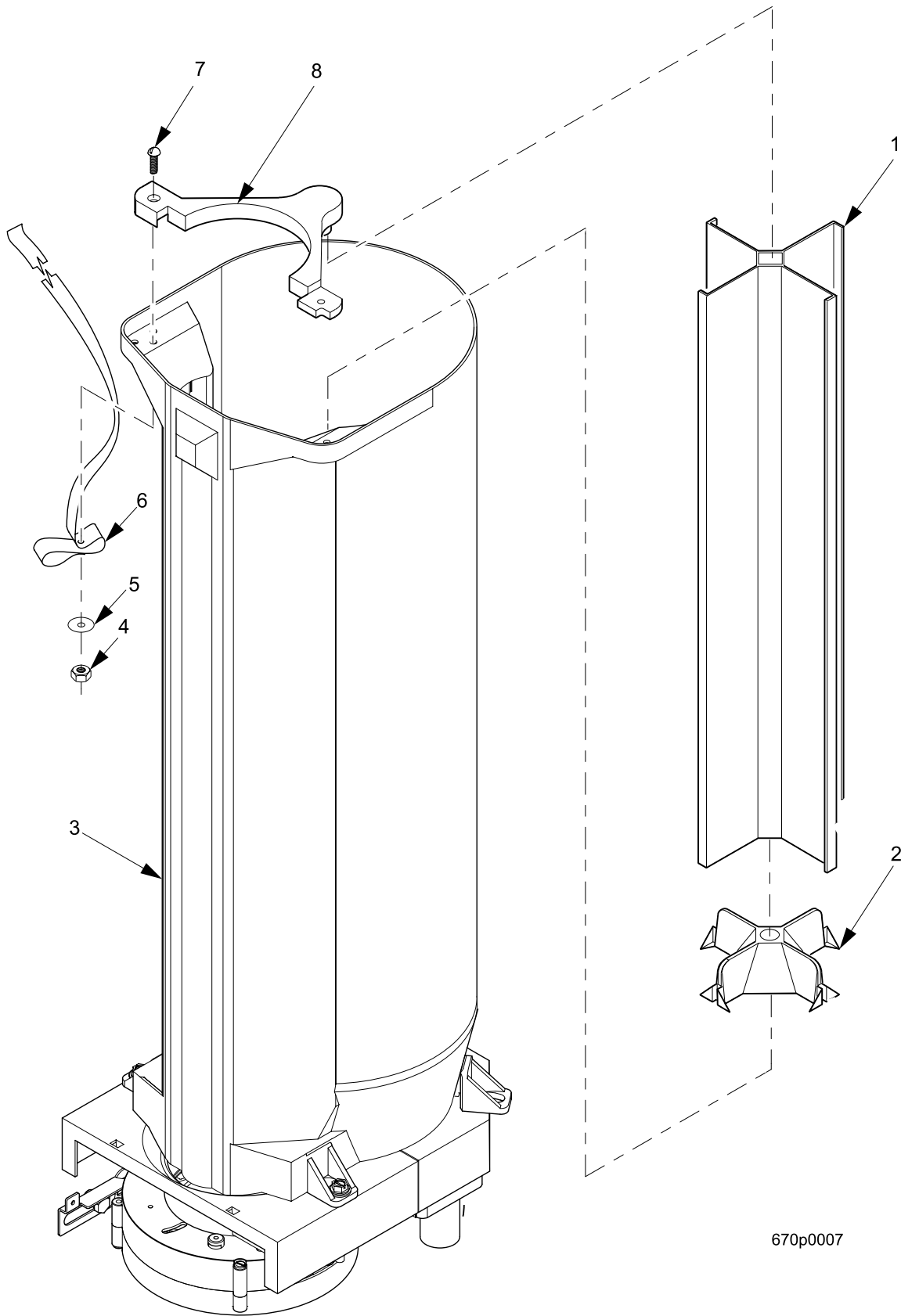


630P0031

FIGURE 9 COIN RECEPTACLE ASSEMBLY

TABLE 9 COIN RECEPTACLE ASSEMBLY

INDEX	PART NUMBER	DESCRIPTION	QTY.
--	1672080	GATE & TRIM ASSEMBLY COIN RETURN (INCLUDES INDEX 1-4)	--
1	1572011	TRIM - COIN RECEPTACLE	1
2	4245084	SHAFT - DOOR - COIN RETURN	1
3	4245083	SPRING - COIN RETURN DOOR	1
4	4245082	GATE - COIN RETURN	1
5	1572010	CUP - COIN RETURN	1
6	2302053	SPACER - CUP	4
7	9900160	SCREW - #8-18 X 1/2"PHIL.PAN HD.	4

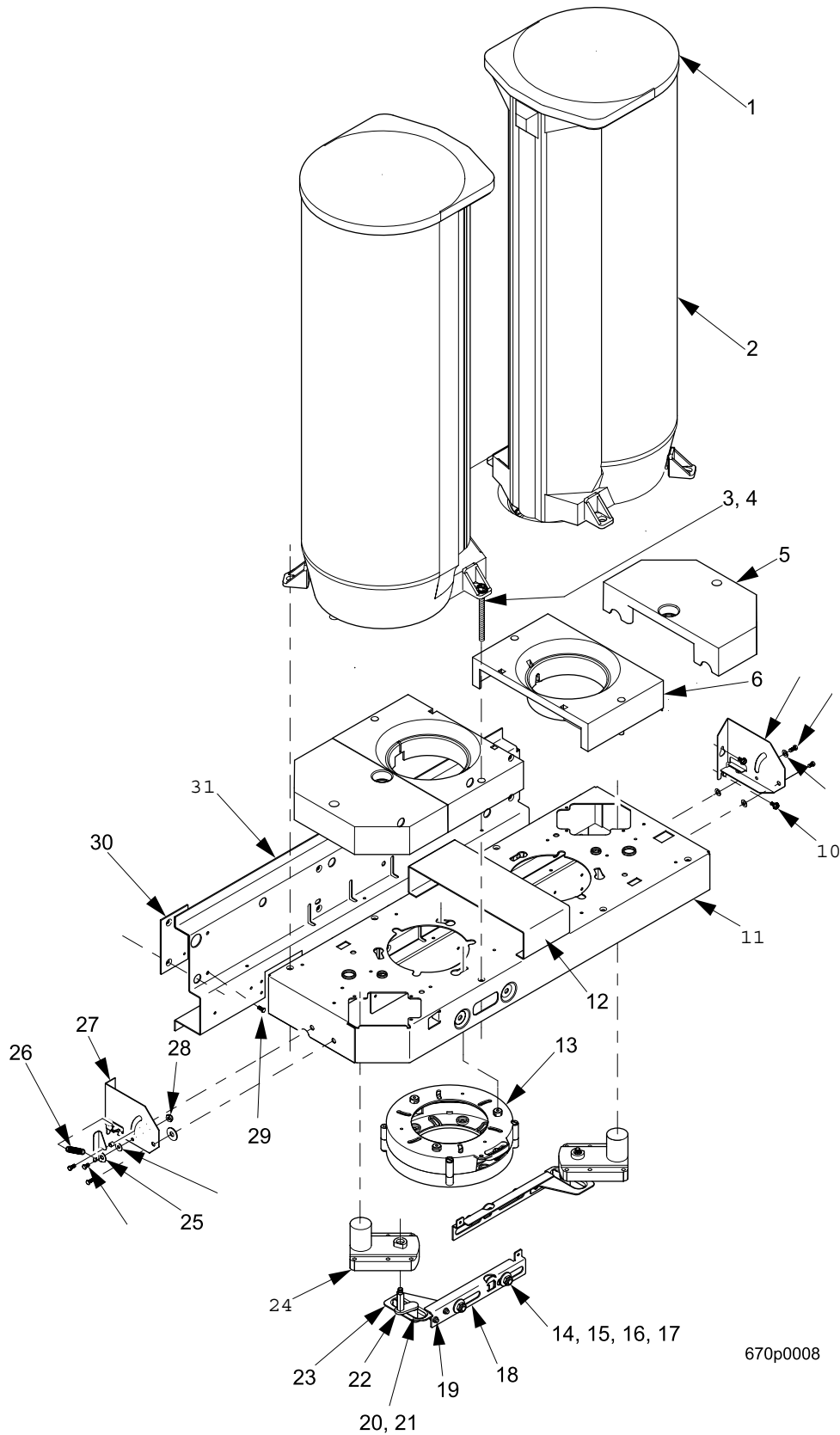


670p0007

FIGURE 10 TURRET AND CANISTER ASSEMBLY - 4 COLUMN

TABLE 10 TURRET AND CANISTER ASSEMBLY - 4 COLUMN

INDEX	PART NUMBER	DESCRIPTION	QTY.
--	6703002	TURRET & CANISTER ASSEMBLY - 4 COLUMN - 1	1
--	6703003	TURRET & CANISTER ASSEMBLY - 4 COLUMN - 2	1
1	6233061	TURRET - CENTER	2
2	6233048	BASE - TURRET	2
3	6233109	TURRET ASSEMBLY 1B	2
4	9900081	NUT #8-32 KEPS ZINC PLATE	2
5	6138181	WASHER PLATE	2
6	6333003	STRAP - CANISTER	2
7	9900115	SCREW - #8-32 X 3/4 RHS	2
8	6233030	BEARING - TURRET TOP	2



670p0008

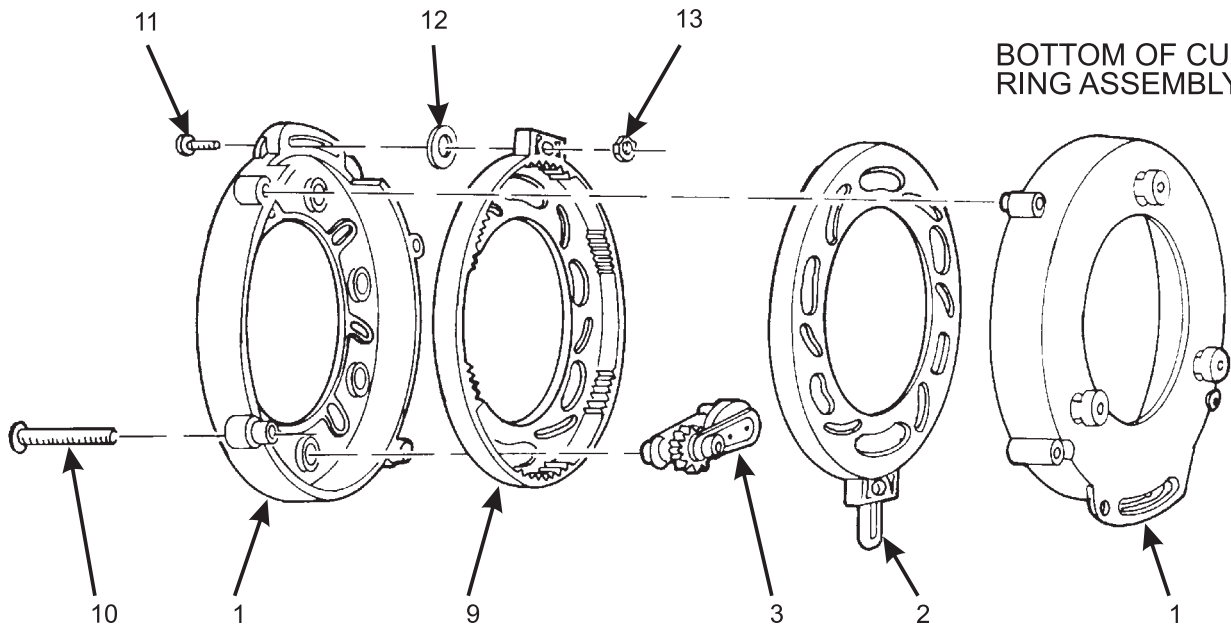
FIGURE 11 CANISTER ASSEMBLY

TABLE 11 CANISTER ASSEMBLY

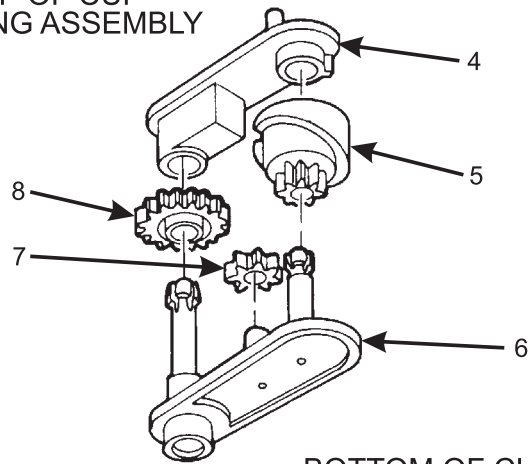
INDEX	PART NUMBER	DESCRIPTION	QTY
1	6333016	LID - CANISTER - 4 COLUMN	2
2	6333015	CANISTER - CUP - 4 COLUMN	2
3	6233077	BOLT - #1/4X20X2.38 HHS	6
4	6131066	WASHER 5/8X.265X.048 ZINC/YEL	6
5	6233010	COVER - END	2
6	6233007	FUNNEL - 3.25 CUP DIAMETER	2
7	6233019	BRACKET - MECHANISM MOUNTING - LEFT	1
8	6233021	SCREW - 1/4 X 20 X .5 HEX HD	2
9	6233028	BUSHING	2
10	6262021	SCREW - 1/4-20 T/TITE X .50HHS	4
11	6701003	PLATE - BASE - CUP MECHANISM	1
12	6701005	COVER - WIRE - CENTER	1
13	6333008	CUP RING ASSEMBLY - UNIVERSAL (SEE FIGURE 12 FOR DETAILS)	2
14	6233021	SCREW - 1/4 X 20 X .5 HEX HD	4
15	4041241	NUT - 1/4-20-SELF LOCKING	4
16	6233028	BUSHING	4
17	6404034	WASHER - .687 O.D. X .265 I.D. X .050	4
18	6233032	ACTUATOR - CUP RING	2
19	1451097	SCREW - #8-32X.31 HEX HD.TF-BLK.	4
--	6233058	CRANK ARM & ROLLER ASSEMBLY (INCLUDES INDEX 20-22)	--
20	1479063	ROLLER - DRIVE ARM	2
21	9900121	WASHER STEEL 7/16 X.203 X.032	2
22	6233036	CRANK ARM - CUP RING	2
23	3283058	CAM - ACTUATOR	2
24	1577038	MOTOR & PC BOARD ASSEMBLY	2
25	6233037	LATCH	1
26	2301057	SPRING ELEVATOR STOP	1
27	6233018	BRACKET - MECHANISM MOUNTING - RIGHT	1
28	4041241	NUT - 1/4-20 - SELF LOCKING	2
29	1451097	SCREW - #8 - 32X.31 HEX HD.TF - BLACK.	2
30	6701004	RETAINER - CUP MECHANISM	1
31	6392024	CHANNEL - CUP MECHANISM (REFERENCE ITEM)	--

TOP OF CUP RING ASSEMBLY

BOTTOM OF CUP RING ASSEMBLY



TOP OF CUP RING ASSEMBLY



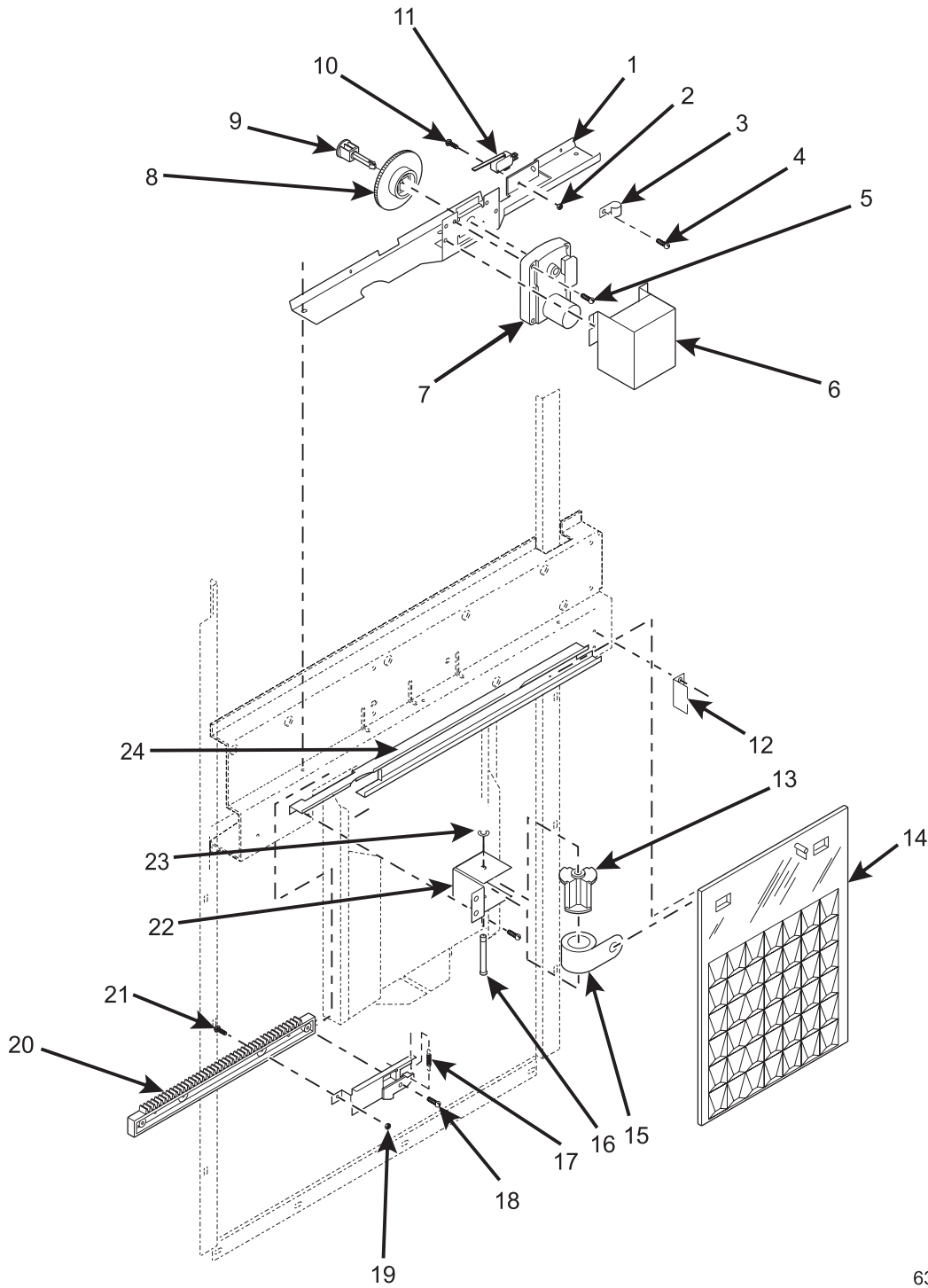
BOTTOM OF CUP RING ASSEMBLY

630p0034

FIGURE 12 CUP RING ASSEMBLY

TABLE 12 CUP RING ASSEMBLY

INDEX	PART NUMBER	DESCRIPTION	QTY.
--	6333008	CUP RING ASSEMBLY - UNIVERSAL	1
1	6333009	HOUSING - CUP RING	2
	6333004	HOUSING - CUP RING	
2	6333010	GEAR RING - INTERNAL	1
3	6333007	CAM AND GEAR ASSEMBLY (INCLUDES INDEX NUMBERS 4 - 8)	6
4	6333006	RETAINER - CAM	1
5	6333012	CAM - CUP - UNIVERSAL	1
6	6333005	ARM - CAM	1
7	6233127	GEAR - 10 TOOTH	1
8	6233126	GEAR - 18 TOOTH	1
9	6333011	ADJUSTER RING - INTERNAL	1
10	6332052	SCREW - #8-16 X 1.12 PHS	4
11	3143009	SCREW - #8-32 X .50 PHS	1
12	6114121	WASHER ROLLER	1
13	6333020	NUT - #8-32 SELF LOCKING	1

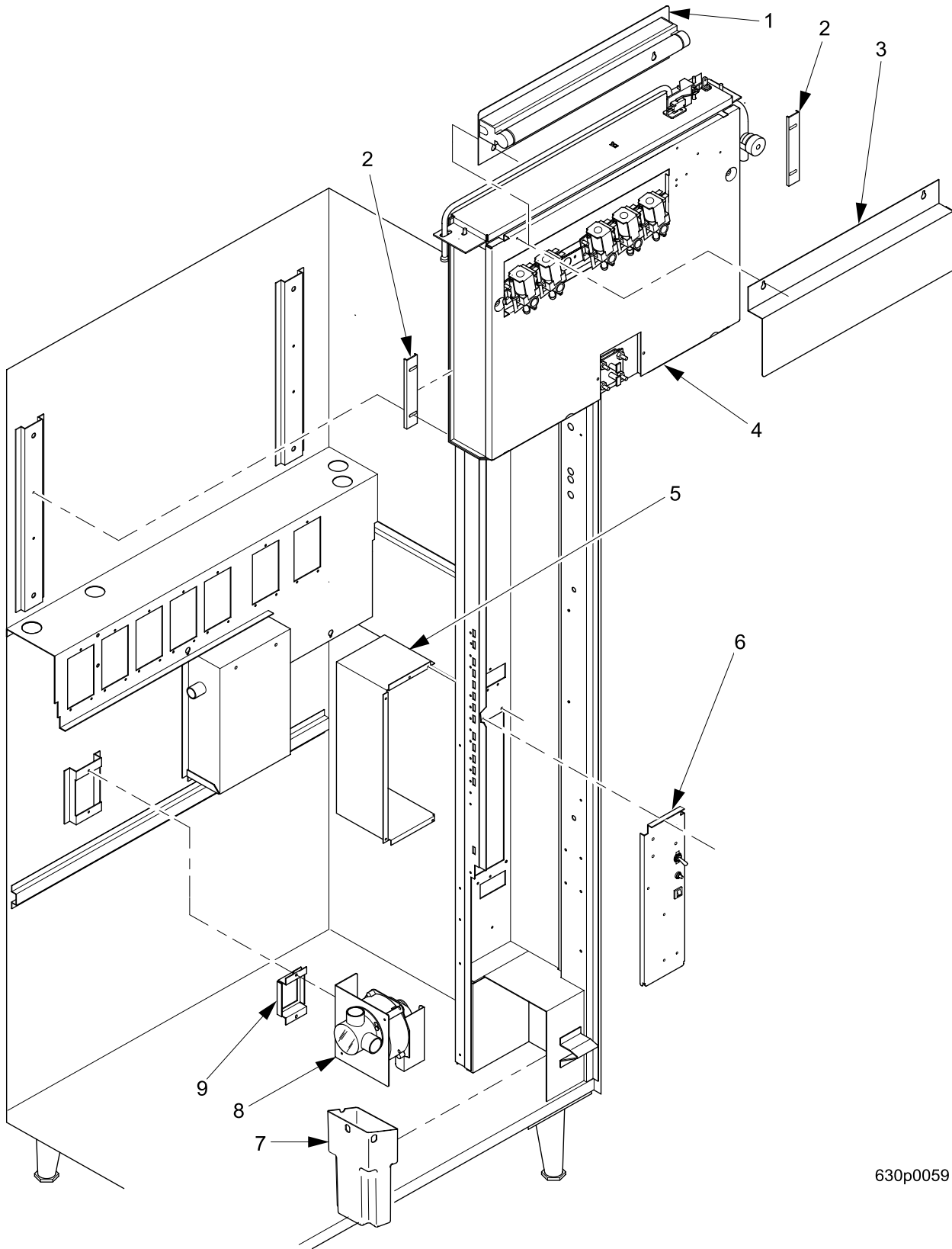


630p0071

FIGURE 13 AUTOMATIC DELIVERY DOOR

TABLE 13 AUTOMATIC DELIVERY DOOR

INDEX	PART NUMBER	DESCRIPTION	QTY.
--	6732064	MOTOR & BRACKET ASSEMBLY - VEND DOOR (INCLUDES INDEX NUMBERS 1 – 11)	--
1	6732059	BRACKET - AUTO DOOR	1
2	1217160	SCREW - #4-40 KEPS W/EXT	2
3	2342315	CLIP - WIRE HARNESS	1
4	9900157	SCREW #8-32 X 7/32 HWHD TY23	4
5	1457027	SCREW 8-32 X .81 HHSI TAPTITE	2
6	6232263	COVER - MOTOR - VEND DOOR	1
7	1577038	MOTOR AND PCB ASSEMBLY	1
8	1477020	GEAR - TRAY	1
9	1477113	COUPLING - SPIRAL	1
10	1217159	SCREW - #4-40 KEPS W/EXT L/WAS	2
11	5220108	SWITCH	1
--	6232118	HOUSING & SPRING ASSEMBLY - VEND DOOR (INCLUDES INDEX NUMBERS 12, 13, 15, 16, 22 & 23)	--
12	6232096	STOP - DOOR VEND	1
13	6232084	SPOOL - SPRING	1
14	6232065	DOOR - VEND	1
15	6232091	SPRING - VEND DOOR	1
16	6232085	SHAFT - SPOOL	1
--	6732065	RACK ASSEMBLY - VEND DOOR (INCLUDES INDEX NUMBERS 17 – 21)	--
17	3108141	SPRING COVER AIR GAP	1
18	6232317	SCREW - #8-32 X 1/2 RHS MACH	1
19	9900081	NUT - #8-32 KEPS ZINC PLATE	2
20	6234106	RACK - BREWER	1
21	2222031	TEE BOLT - TRIM	1
22	6232089	HOUSING - SPRING	1
23	9900425	RETAINING RING - REINF. E TYPE	1
24	6732060	TRACK - GEAR RACK	1

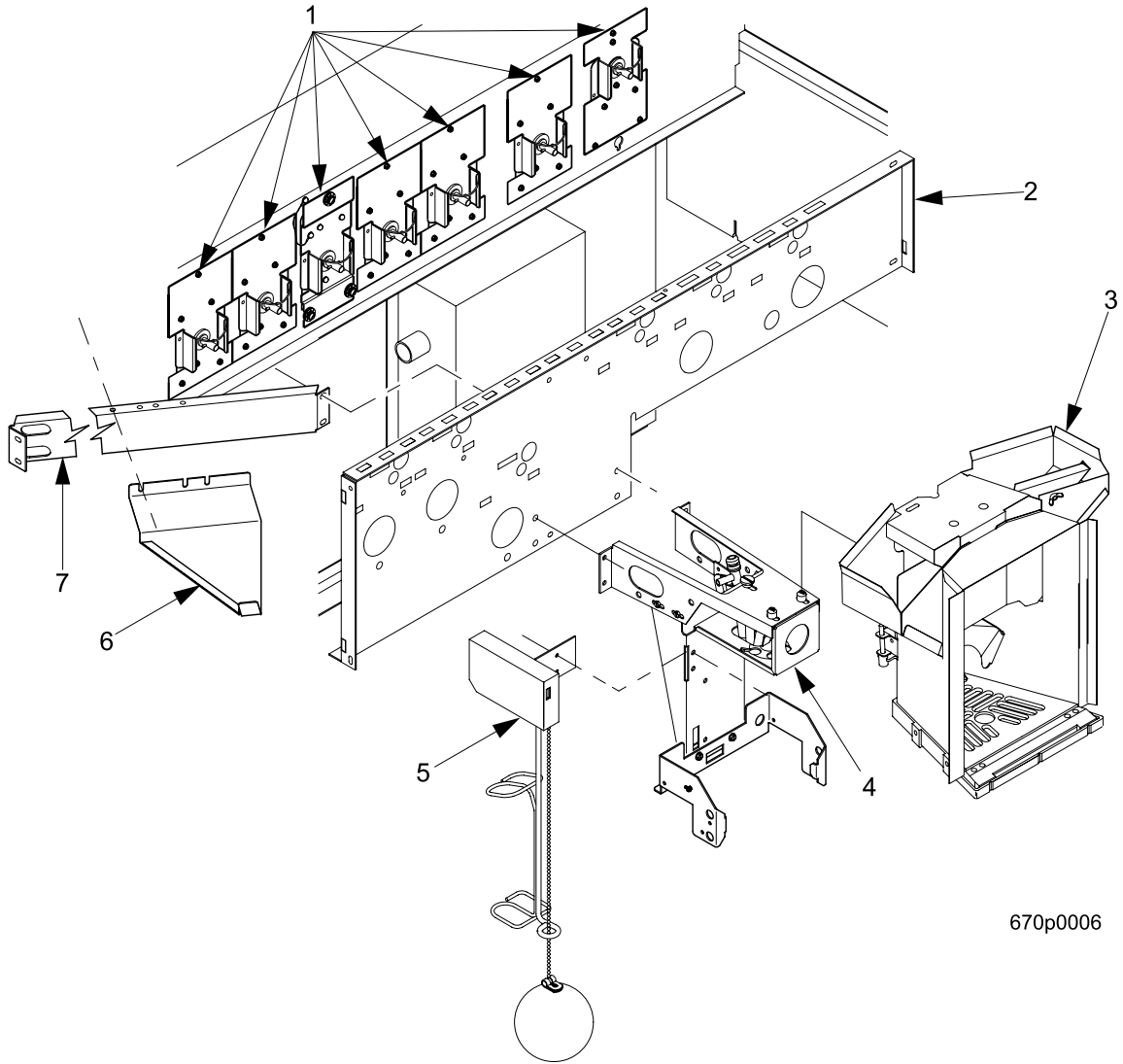


630p0059

FIGURE 14 CABINET ASSEMBLY (PART 1 OF 2)

TABLE 14 CABINET ASSEMBLY (PART 1 OF 2)

INDEX	PART NUMBER	DESCRIPTION	QTY.
--	6741000	CABINET & MECHANISM ASSEMBLY - COMMON (674)	--
	6761000	CABINET & MECHANISM ASSEMBLY - COMMON (676)	
1	6231372	SERVICE LIGHT - BRACKET ASSEMBLY - 115 V (SEE FIGURE 16 FOR DETAILS)	1
2	6231036	CLAMP - WATER TANK	2
3	6338058	COVER - HOT WATER VALVES	1
4	6538001	WATER TANK ASSEMBLY (SEE FIGURE 23 FOR DETAILS)	1
5	1671022	HOUSING - POWER PANEL	1
6	1701015	POWER PANEL ASSEMBLY - 115 V (SEE FIGURE 59 FOR DETAILS)	1
7	1671090	MONEY BOX ASSEMBLY	1
8	6731067	BRACKET BLOWER AND COVER ASSEMBLY (SEE FIGURE 22 FOR DETAILS)	1
9	1471054	BRACKET & SCREEN ASSEMBLY - EXHAUST	1



670p0006

FIGURE 15 CABINET ASSEMBLY (PART 2 OF 2)

TABLE 15 CABINET ASSEMBLY (PART 2 OF 2)

INDEX	PART NUMBER	DESCRIPTION	QTY.
1	6237188	CANISTER MOTOR AND PLATE ASSEMBLY WITH MOUNTING HARDWARE (SEE FIGURE 30 FOR DETAILS)	--
	6237184	CANISTER MOTOR AND PLATE ASSEMBLY - LIGHTENER	
	6237436	CANISTER MOTOR AND PLATE ASSEMBLY - 200 RPM	
	6237438	CANISTER MOTOR AND PLATE ASSEMBLY - COFFEE	
2	6741011	CSTR.SPRT.ASSY-SNGL F.B. (SEE FIGURE 29 FOR DETAILS)	1
	6741012	CSTR.SPRT.ASSY-SGL.FB/INTL COF (SEE FIGURE 29 FOR DETAILS)	
	6741013	CSTR.SPRT.ASSY-DUAL F.B. (SEE FIGURE 29 FOR DETAILS)	
3	6701009	CUP DELIVERY ASSEMBLY (SEE FIGURE 40 FOR DETAILS)	1
4	6551014	SUPPORT ASSEMBLY - CUP STATION (SEE FIGURE 41 FOR DETAILS)	1
5	6231223	OVERFLOW SWITCH ASSEMBLY (SEE FIGURE 21 FOR DETAILS)	1
6	6341027	BRACKET - TUBE RETAINER	1
7	6341007	BRACE - CANISTER SUPPORT	1

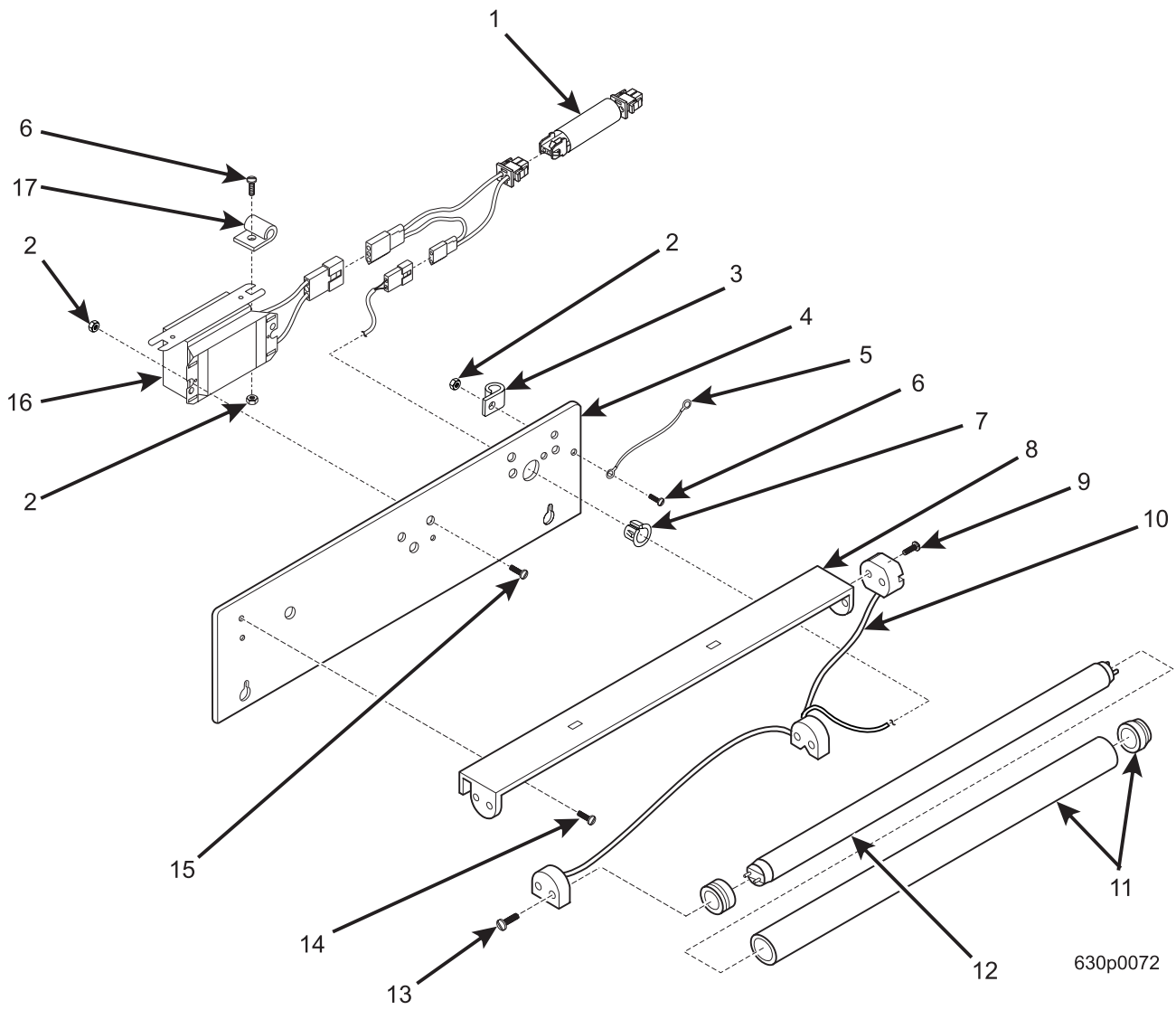


FIGURE 16 SERVICE LIGHT/BRACKET ASSEMBLY - 115 V

TABLE 16 SERVICE LIGHT/BRACKET ASSEMBLY - 115 V

INDEX	PART NUMBER	DESCRIPTION	QTY.
--	6231372	SERVICE LIGHT/BRACKET ASSEMBLY - 115 V (INCLUDES INDEX NUMBERS 3 – 15)	--
1	1679005	FLUORESCENT LIGHT FILTER - 120/230V	1
2	9900081	NUT - #8-32 KEPS	--
3	4305043	HARNESS CLIP	--
4	6231559	BRACKET - SERVICE LIGHT	1
5	9984094	WIRE - GROUND - 14"	1
6	3157060	SCREW - #8-32	1
7	3106154	BUSHING	1
8	2272036	BRACKET - LIGHT	1
9	3107171	SCREW - #4-36 X 5/8 RHS	2
--	6231232	LIGHT ASSEMBLY - 115 V (INCLUDES INDEX NUMBERS 10, 11, 13 & 16)	--
10	2346016	HARNESS - FLUORESCENT LIGHT	1
11	6232305	SAFETY SLEEVE & END CAP ASSEMBLY	1
12	2222096	FLUORESCENT LAMP #F15T8CW KB	1
13	9900219	SCREW - #4-36 X .437 RH PHILLIPS	2
14	1170206	SCREW - #8-32 X .31 HX HD	2
15	1170206	SCREW - #8-32 X .31 HX HD	1
16	3151058	BALLAST ASSEMBLY	1
17	1452139	RETAINER - HARNESS	1

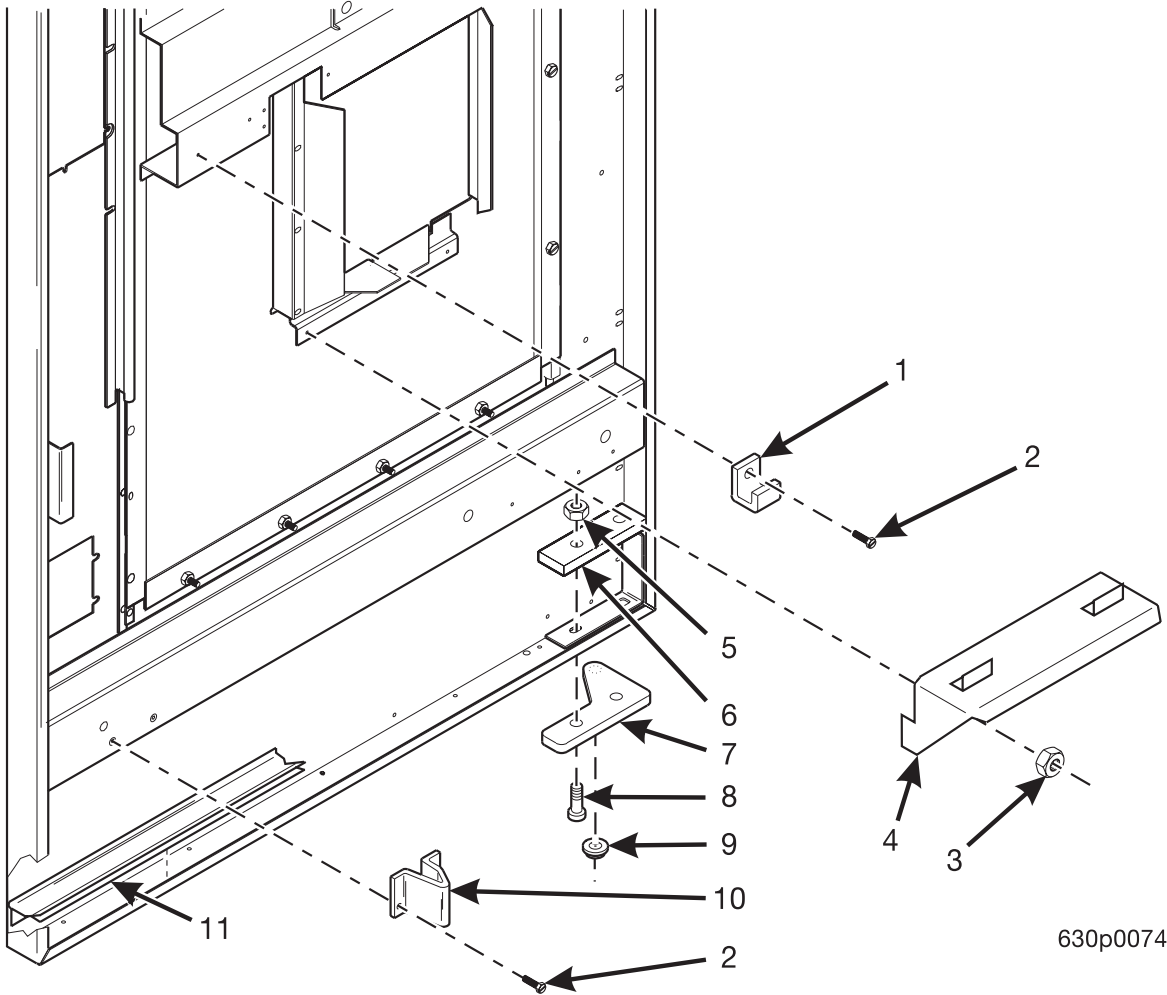
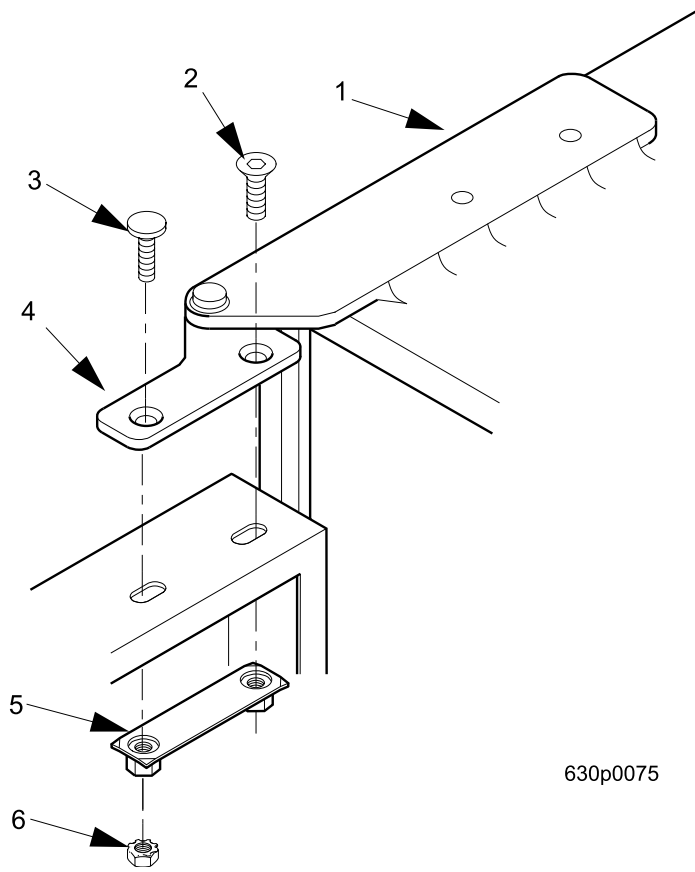


FIGURE 17 MISCELLANEOUS MOUNTED PARTS - LOWER DOOR

TABLE 17 MISCELLANEOUS MOUNTED PARTS - LOWER DOOR

INDEX	PART NUMBER	DESCRIPTION	QTY.
1	6342040	LIFT BRACKET - CUP STATION	1
2	1451097	SCREW - HEX - #8	--
3	9900081	NUT - HEX - #8	--
4	3142138	HANGER - CUP STATION	1
5	1211105	NUT - KEPS - 1/4-20 EXT LW ZIP	2
6	6232028	PLATE ASSEMBLY - HINGE MOUNTING	1
7	6232031	HINGE ASSEMBLY - DOOR - LOWER	1
8	6232208	WELD SCREW - 1/4-20 X 1" LG	2
9	4242145	BEARING - THRUST - LOWER HINGE	1
10	6231164	BRACKET - DOOR SUPPORT	1
11	6262046	FILLER STRIP - SANITATION	1

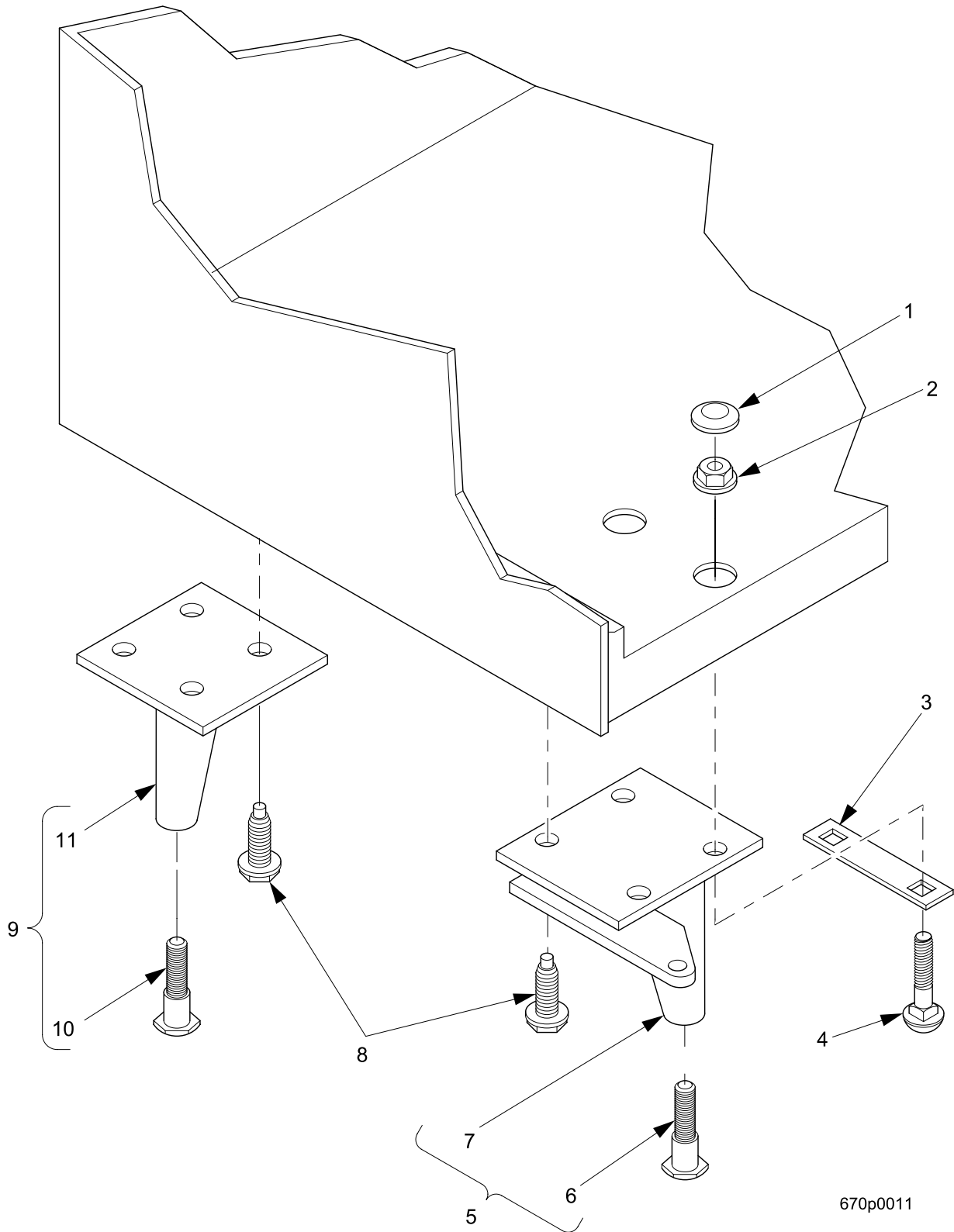


630p0075

FIGURE 18 HINGE ASSEMBLY - UPPER

TABLE 18 HINGE ASSEMBLY - UPPER

INDEX	PART NUMBER	DESCRIPTION	QTY.
--	1571098	HINGE ASSEMBLY - UPPER	--
1	6231158	HINGE PLATE - UPPER	1
2	6232036	SCREW - 5/16-18X.75 FLT.HDSOCKET	1
3	6232208	WELD SCREW - #1/4-20 X 1"LG	1
4	6232034	PLATE - DOOR HINGE - UPPER	1
5	6232028	PLATE ASSEMBLY - HINGE MOUNTING	1
6	1211105	1/4-20 KEPS NUT EXT LW ZP	2

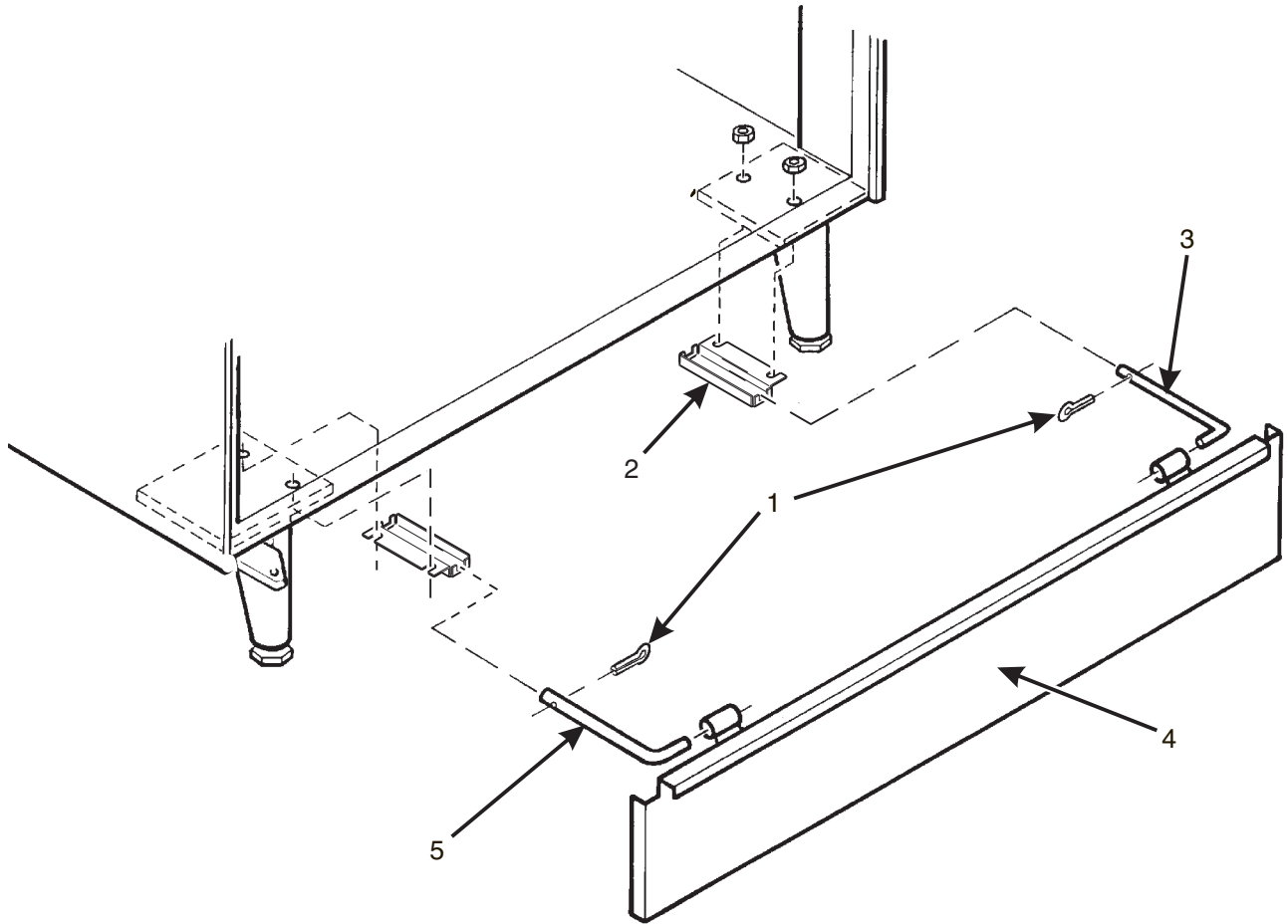


670p0011

FIGURE 19 LEG LEVELER AND LEG AND HINGE ASSEMBLIES

TABLE 19 LEG LEVELER AND LEG AND HINGE ASSEMBLIES

INDEX	PART NUMBER	DESCRIPTION	QTY.
1	6231034	PLUG - HOLE	2
2	1172021	NUT - 1/4-20 WHIZ - LOCK	2
3	6231203	PLATE - HINGE LEG BOLT	1
4	1211112	TRAY BOLT	2
5	6231163	LEG HINGE AND LEVELER ASSEMBLY (INCLUDES INDEX NUMBERS 6 & 7)	1
6	1471098	LEVELER - CABINET	1
7	1571115	LEG AND HINGE ASSEMBLY	1
8	9900218	SCREW - 5/16 X 1.00 W/LOCKING RINGS	14
9	1471237	LEG AND LEVELER ASSEMBLY - CABINET (INCLUDES INDEX NUMBERS 10 & 11)	3
10	1471098	LEVELER - CABINET	1
11	4311068	LEG ASSEMBLY - CABINET - WELD	1



630P0036

FIGURE 20 BASE PLATE ASSEMBLY (OPTIONAL)

TABLE 20 BASE PLATE ASSEMBLY (OPTIONAL)

INDEX	PART NUMBER	DESCRIPTION	QTY.
1	9900098	COTTER PIN - 3/32	2
2	6231087	BRACKET - BASE PLATE	2
3	1411194	SLIDE - BASE PLATE - RIGHT HAND	1
4	1581023	BASE PLATE ASSEMBLY	1
	6330733	BASE PLATE ASSEMBLY BLACK	
	2271408	BASE PLATE ASSEMBLY NV BLACK	
5	1411195	SLIDE - BASE PLATE - LEFT HAND	1

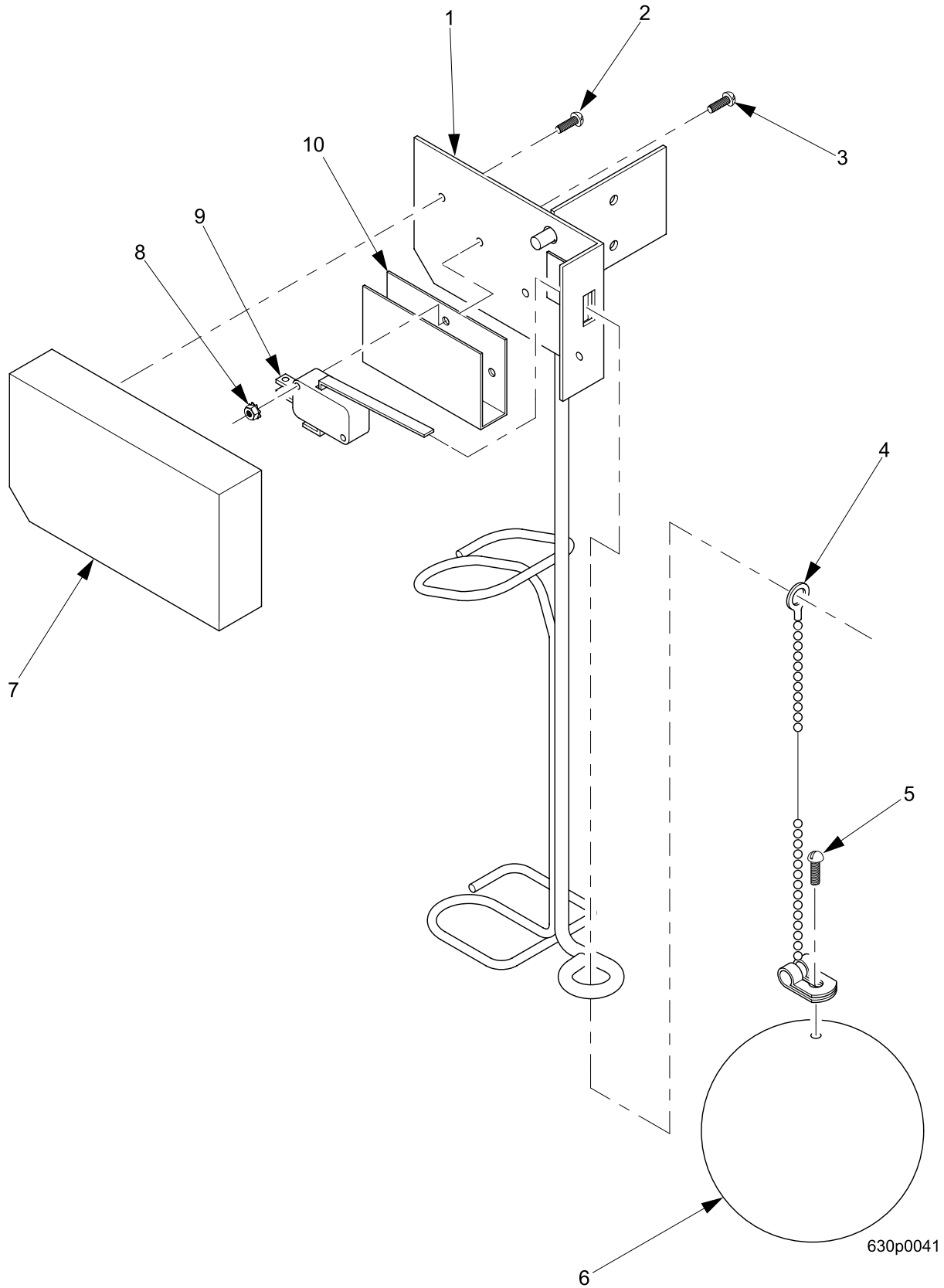


FIGURE 21 OVERFLOW SWITCH ASSEMBLY

TABLE 21 OVERFLOW SWITCH ASSEMBLY

INDEX	PART NUMBER	DESCRIPTION	QTY.
--	6231223	OVERFLOW SWITCH ASSEMBLY (INDEX NUMBERS 3 & 7 NOT INCLUDED)	--
1	6231507	BRACKET ASSEMBLY - OVERFLOW SWITCH	1
2	1217160	SCREW - 4-40 X 5/8 RHS	2
3	9900012	SCREW - #6-32 X 1/4 RHS S/T	2
4	6151131	CHAIN - OVERFLOW SWITCH	1
5	4047054	SCREW - #8-18 X 1/2 RHS T/C	2
6	3116127	FLOAT - OVERFLOW SWITCH	1
7	6231135	COVER - OVERFLOW SWITCH	1
8	3116127	NUT - 4-40 KEPS W/EXT L/WASHER	2
9	9984636	SWITCH - LEVER V7-7B17D8-048	1
10	3121150	INSULATION - OVERFLOW SWITCH	1
--	6201025	WASTE BUCKET (NOT SHOWN)	1

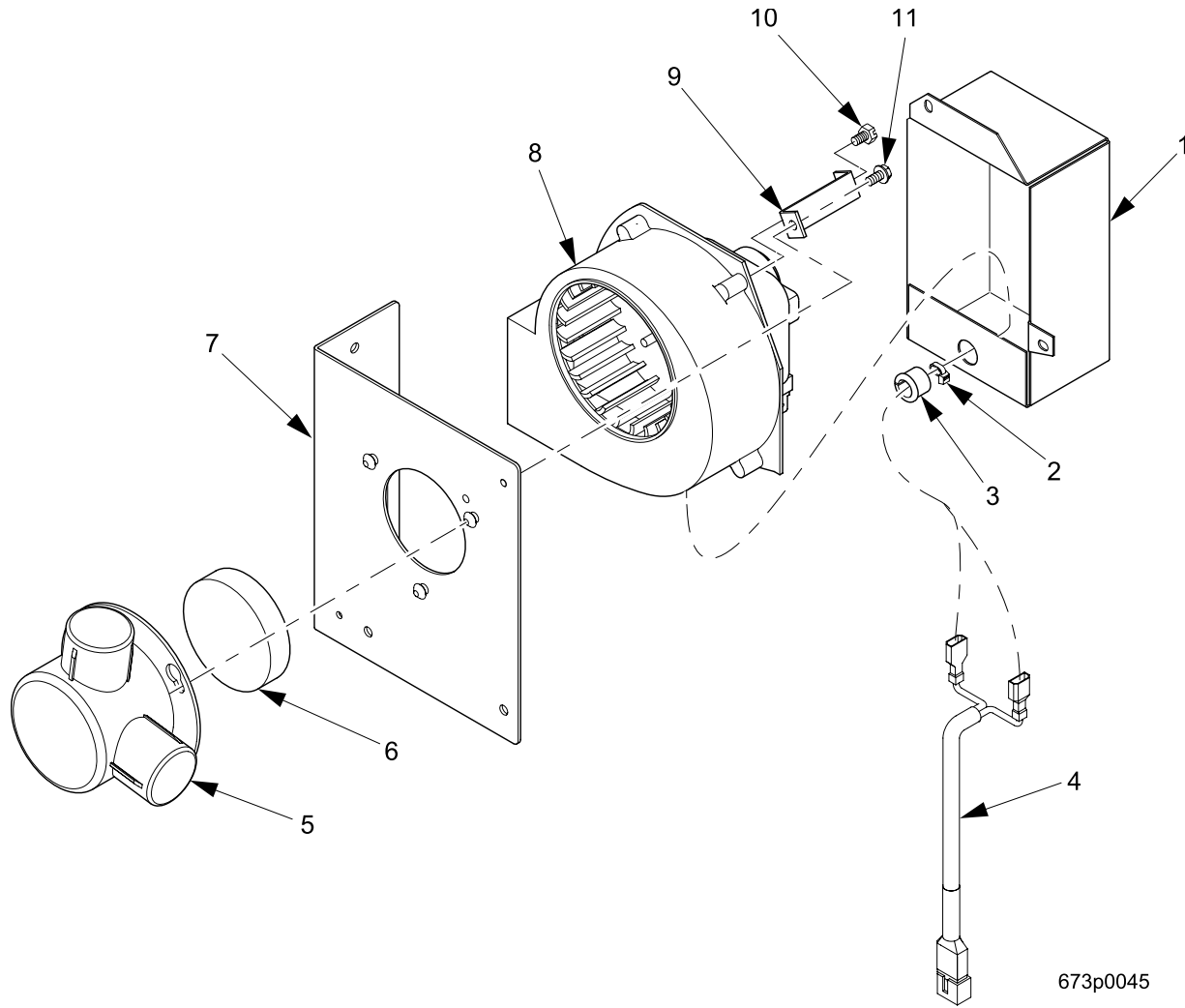
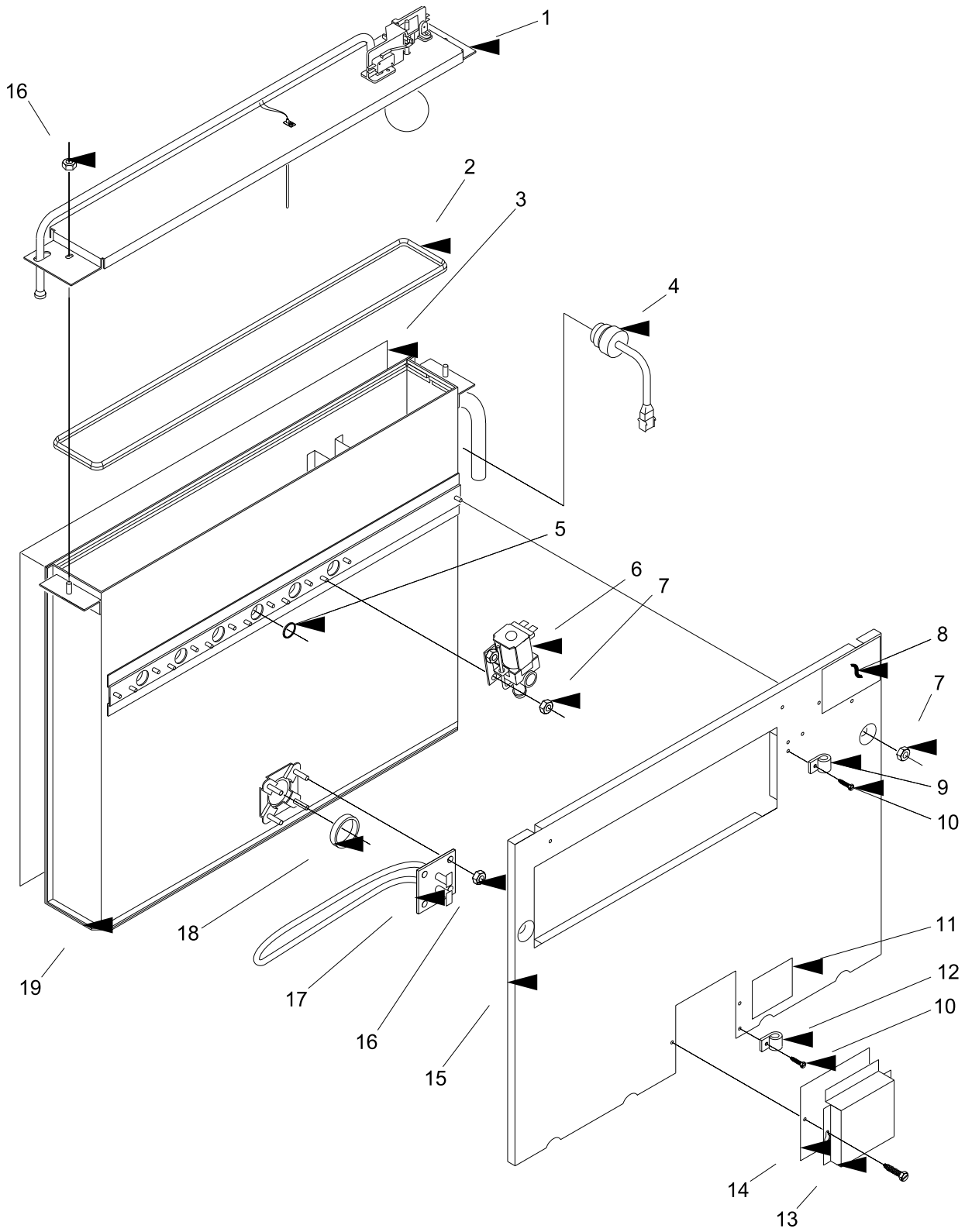


FIGURE 22 BRACKET BLOWER AND COVER ASSEMBLY

TABLE 22 BRACKET BLOWER AND COVER ASSEMBLY

INDEX	PART NUMBER	DESCRIPTION	QTY.
--	6731067	BRACKET BLOWER & COVER ASSEMBLY - 110V	--
1	6391020	PLATE - COVER - BLOWER	1
2	2204513	WIRE TIE - #PLT 1.5IM	1
3	3502097	BUSHING #OCB-500	1
4	9989676	JUMPER - BLOWER	1
5	6237342	HOUSING - EXHAUST BLOWER	1
6	6237340	FILTER - EXHAUST BLOWER	1
7	6231550	BRACKET ASSEMBLY - BLOWER MOUNTING	1
8	4312210	BLOWER ASSEMBLY - 120V	1
9	6231553	TIE DOWN - BLOWER ASSEMBLY	2
10	1437204	SCREW - #8-10X.38 HEX HD.TFG	--
11	1451097	SCREW - #8-32X.31 HEX HD.TF-BLK.	--



674p0013

FIGURE 23 WATER TANK ASSEMBLY

TABLE 23 WATER TANK ASSEMBLY

INDEX	PART NUMBER	DESCRIPTION	QTY.
--	6558007	WATER TANK ASSEMBLY	--
	6368001	WATER TANK ASSEMBLY - NESTLE - 120V	
1	6738038	LID ASSEMBLY - FINAL HWT (SEE FIGURE 24 FOR DETAILS)	1
2	6738032	GASKET - CONTINUOUS - HDC 2	1
3	6238138	INSULATION - WATER TANK - BACK	1
4	6729000	SAFETYSTAT ASSEMBLY - 7/8	1
5	6238074	O - RING	6
6	6738039	VALVE ASSY - H.W.T. - 115V	5
7	9900081	NUT - #8-32 KEPS ZINC PLATE	16
8	6231188	LABEL - CAUTION - HOT SURFACE	1
9	6231035	HARNESS CLIP-.750	2
10	1451097	SCREW - #8-32X.31 HEX HD.TF-BLK.	7
11	6231189	LABEL - WARNING - HIGH VOLTAGE	1
12	1452139	RETAINER - HARNESS	1
13	6238104	COVER - HEATER	1
14	6338022	INSULATION	1
15	6738033	COVER - FRONT - WATER TANK	1
16	1172021	NUT - 1/4-20 WHIZ LOCK	6
17	6338041	HEATER - WATER 115V	1
18	6508006	GASKET - HEATER	1
19	6738015	WELD ASSEMBLY - H.W.T. HDC 2	1
--	6238136	INSULATION - BOTTOM - WATER TANK (NOT SHOWN)	1
--	6238137	INSULATION - TOP - WATER TANK (NOT SHOWN)	1

ALSO AVAILABLE

--	9905010	REPLACEMENT PACKAGE - WATER VALVE - HOT DRINK (CONTAINS 10 EACH OF "O" RING PART NUMBER 6238074)	
----	---------	---	--

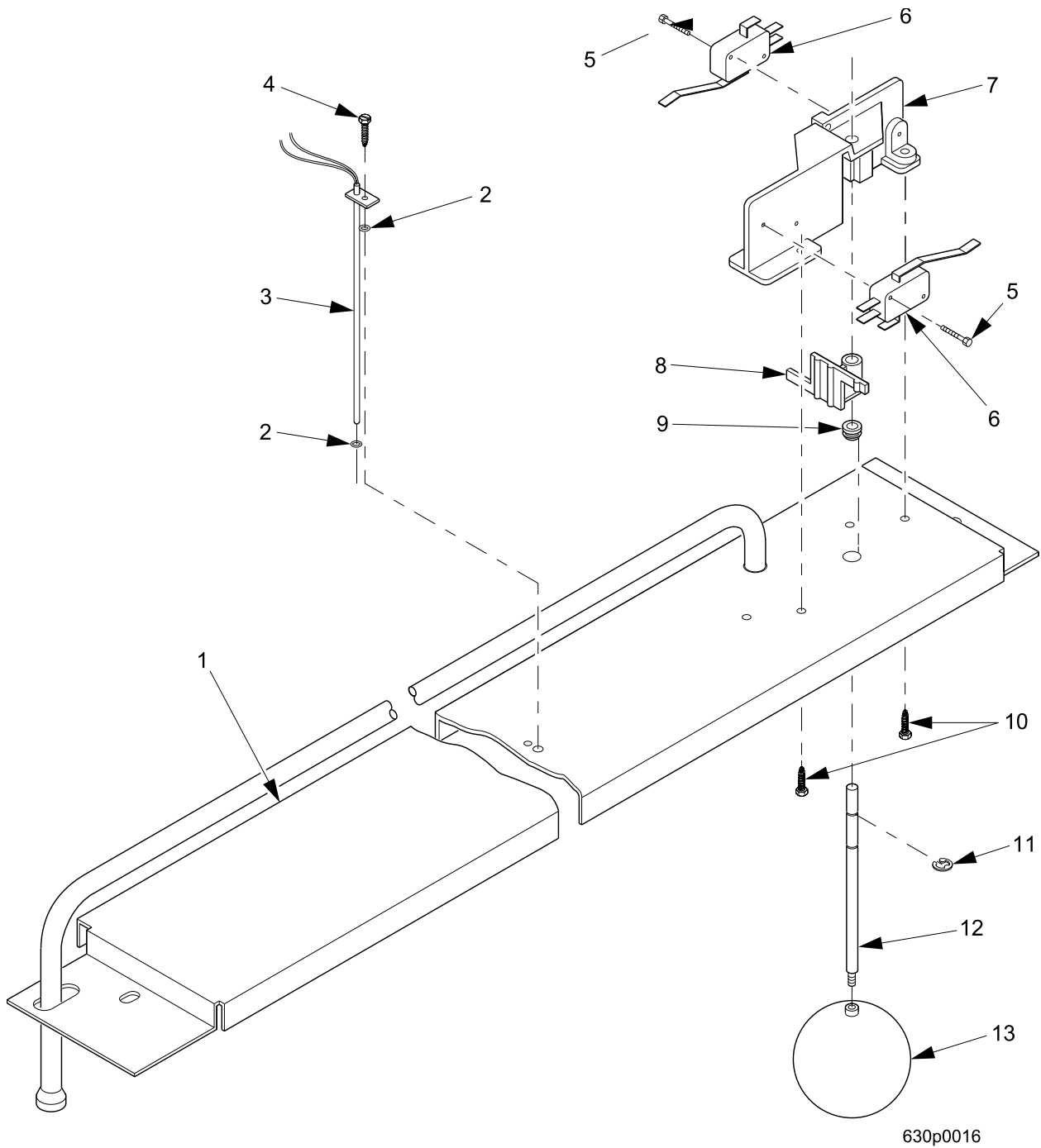
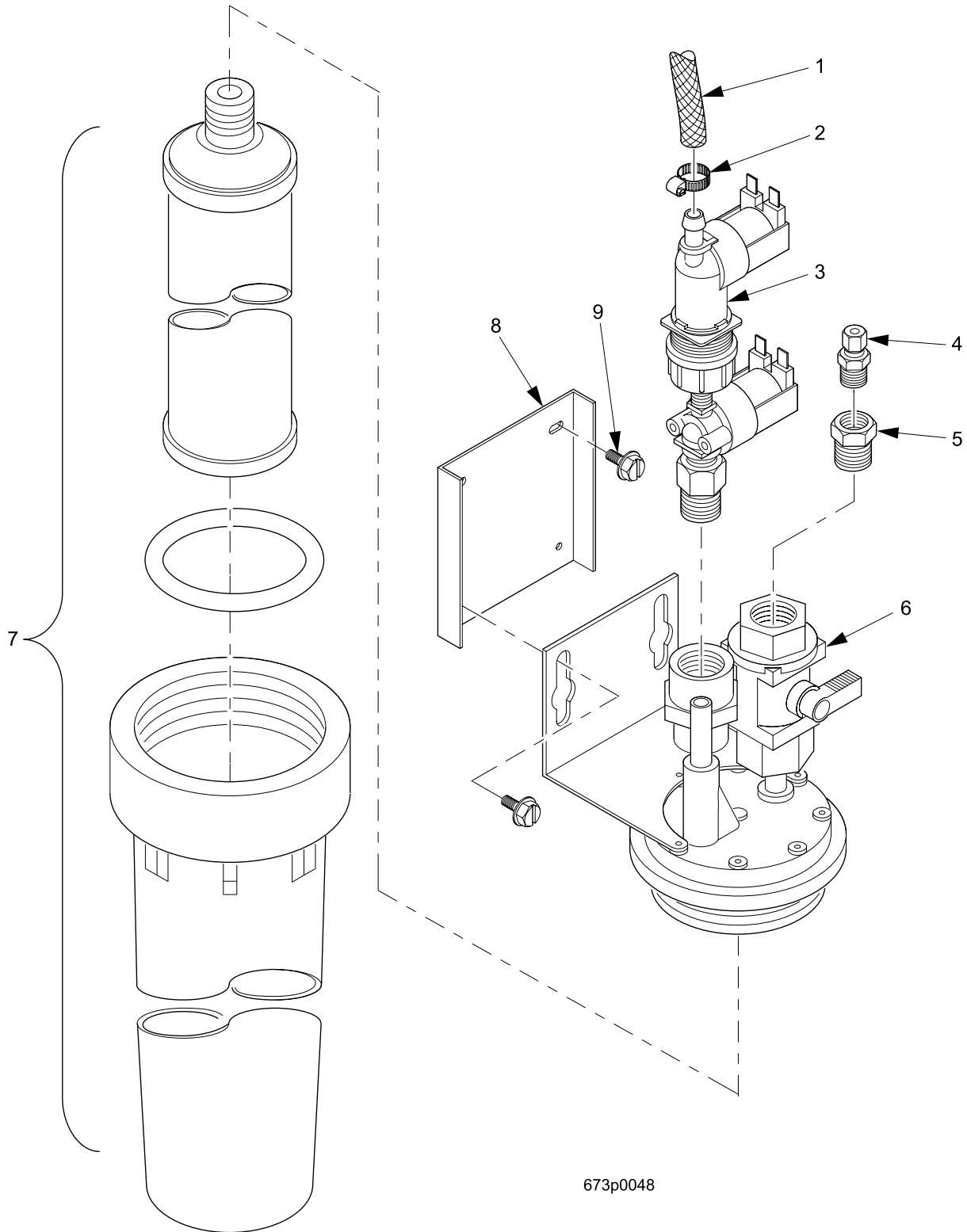


FIGURE 24 LID ASSEMBLY - WATER TANK

TABLE 24 LID ASSEMBLY - WATER TANK

INDEX	PART NUMBER	DESCRIPTION	QTY.
--	6738027	WELD ASSEMBLY - LID H.W.T. HDC	--
1	6338047	WELD ASSEMBLY COVER LARGE INLET - WATER TANK.	1
2	6138287	O RING	2
3	6738008	SENSOR - TEMPERATURE - H.W.T.	1
4	6234295	SCREW - #8-32 X .38 HHS W/LW	1
5	4322141	SCREW - #3-24 X 0.62 PTASTITE	4
6	6238084	SWITCH - LEVER	2
7	6238068	SWITCH MOUNTING BRACKET	1
8	6138183	ACTUATOR - SWITCH	1
9	6338050	BEARING - LID - HOT WATER TANK	1
10	6233065	SCREW - #8-16 X .38 PAST.HHS	3
11	6124073	RETAINING RING	2
12	6338049	SHAFT - FLOAT	1
13	6508033	FLOAT WATER TANK	1
--	6339021	HARNESS - FLOAT SWICTHES	1

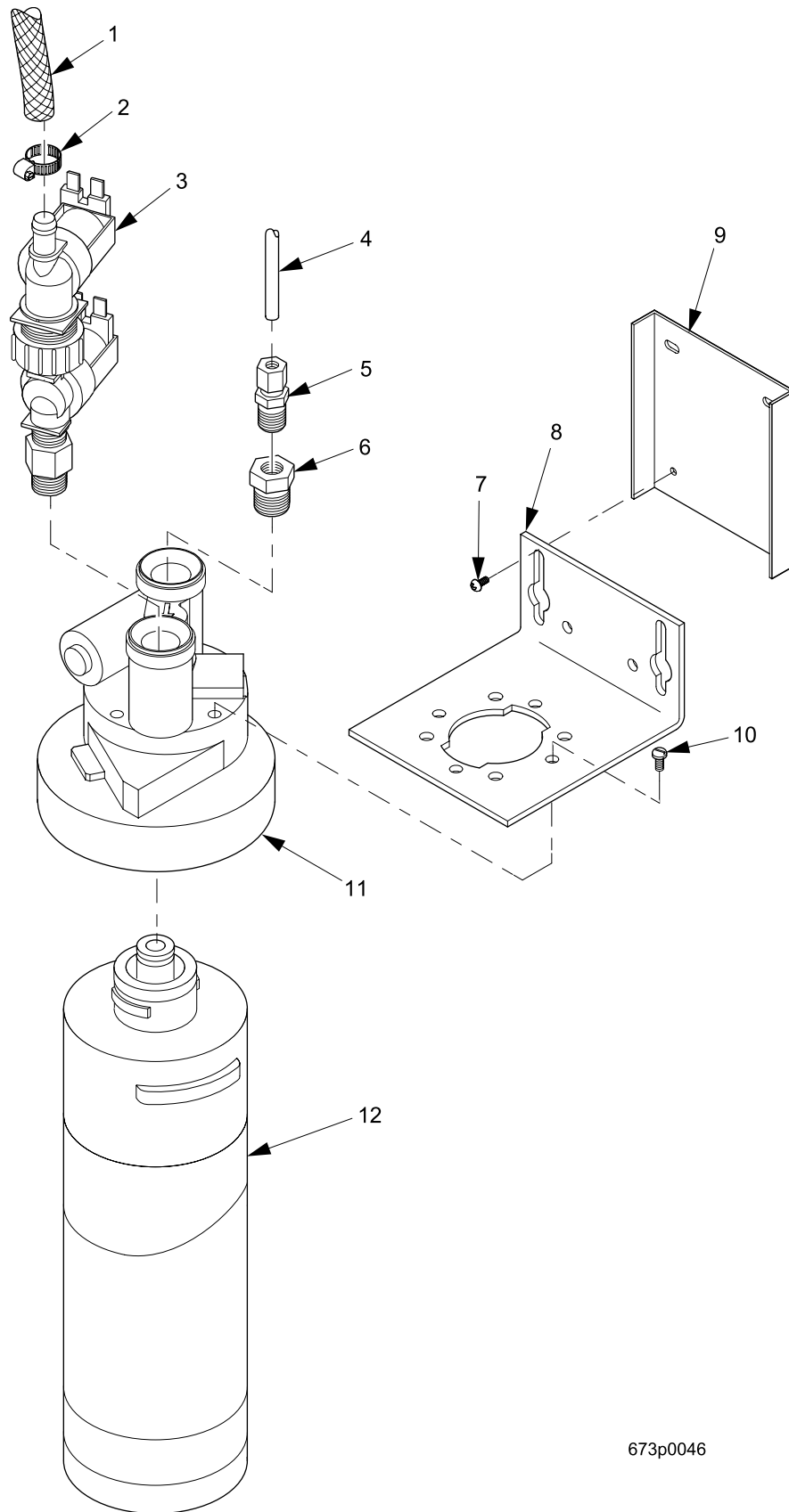


673p0048

FIGURE 25 FILTER AND HEAD ASSEMBLY - HYDRO LIFE 115V

TABLE 25 FILTER AND HEAD ASSEMBLY - HYDRO LIFE 115V

INDEX	PART NUMBER	DESCRIPTION	QTY.
1	6238166	TUBE - LONG INLET - WATER TANK LID	1
2	3154059	CLAMP - STAINLESS STEEL	2
3	3158061	VALVE ASSEMBLY - WATER INLET - U.K.	1
4	6408119	MALE CONCTOR - BRASS #4-4-FBI2-B	3
5	6408117	BUSHING - 1/4X3/8 - BRASS - 209P-6-4	1
6	6338027	HEAD - BRACKET ASSEMBLY - HLV192 - G6710	1
7	6408028	HOUSING, CARTRIDGE, "O" RING - HLV192H	1
8	6231142	PLATE - WATER FILTER	1
9	1451097	SCREW - #8-32X.31 HEX HD.TF - BLACK	4

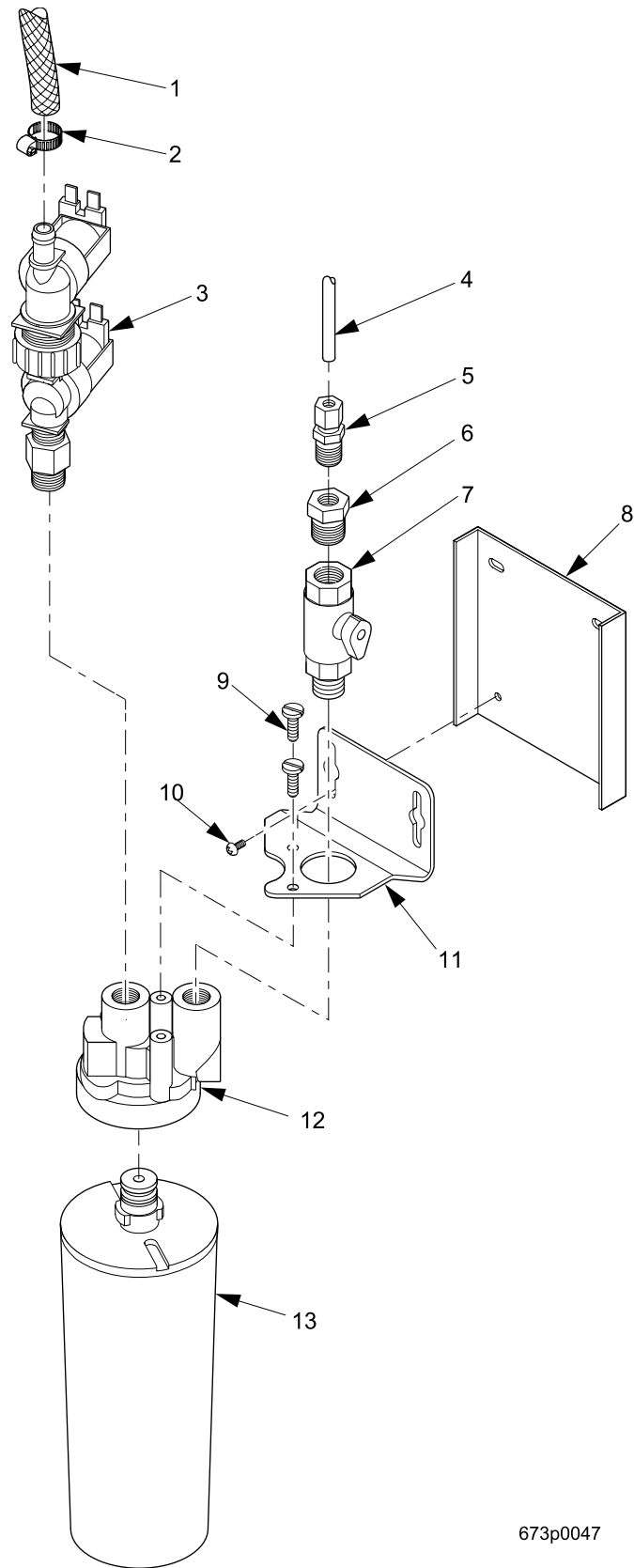


673p0046

FIGURE 26 IFILTER HEAD ASSEMBLY - EVERPURE 115V

TABLE 26 FILTER HEAD ASSEMBLY - EVERPURE 115V

INDEX	PART NUMBER	DESCRIPTION	QTY.
1	6238166	TUBE - LONG INLET - WATER TANK LID	1
2	3154059	CLAMP - STAINLESS STEEL	2
3	3158061	VALVE ASSEMBLY - WATER INLET - U.K.	1
4	6338016	TUBING - INLET - W/FILTER OPT	1
5	6408119	MALE CONCTOR - BRASS #4-4-FBI2-B	3
6	6408117	BUSHING - 1/4X3/8 - BRASS - 209P-6-4	1
7	1451097	SCREW - #8-32X.31 HEX HD.TF - BLACK	2
8	3158023	BRACKT - MOUNTING - WATER FILTER #3046-44	1
9	6231142	PLATE - WATER FILTER	1
10	9900205	SCREW #10-32 X 3/8 HEX HD	--
11	6408134	FILTER HEAD - EVERPURE #9257-12	1
12	6118071	CARTRIDGE - WATER - FILTER - 9611-00-4H	1



673p0047

FIGURE 27 FILTER HEAD ASSEMBLY - CUNO 115V

TABLE 27 FILTER HEAD ASSEMBLY - CUNO 115V

INDEX	PART NUMBER	DESCRIPTION	QTY.
1	6238166	TUBE - LONG INLET - WATER TANK LID	1
2	3154059	CLAMP - STAINLESS STEEL	2
3	3158061	VALVE ASSEMBLY - WATER INLET - U.K.	1
4	6338016	TUBING - INLET - W/FILTER OPT	1
5	6408119	MALE CONCTOR - BRASS #4-4-FBI2-B	3
6	6408117	BUSHING - 1/4 X 3/8 - BRASS - 209P-6-4	1
7	6408113	BALL VALVE - 3/8" - TTC	1
8	6231142	PLATE - WATER FILTER	1
9	7207027	SCREW #10-16 X 5/8 PHS	2
10	1451097	SCREW - #8-32X.31 HEX HD.TF - BLACK	2
11	6408115	BRACKET - CUNO WATER FILTER HD#69682-31	1
12	6408114	FILTER HEAD - CUNO #68375-01	1
13	6338015	WATER FILTER - CUNO - HOT - 12/CS	1

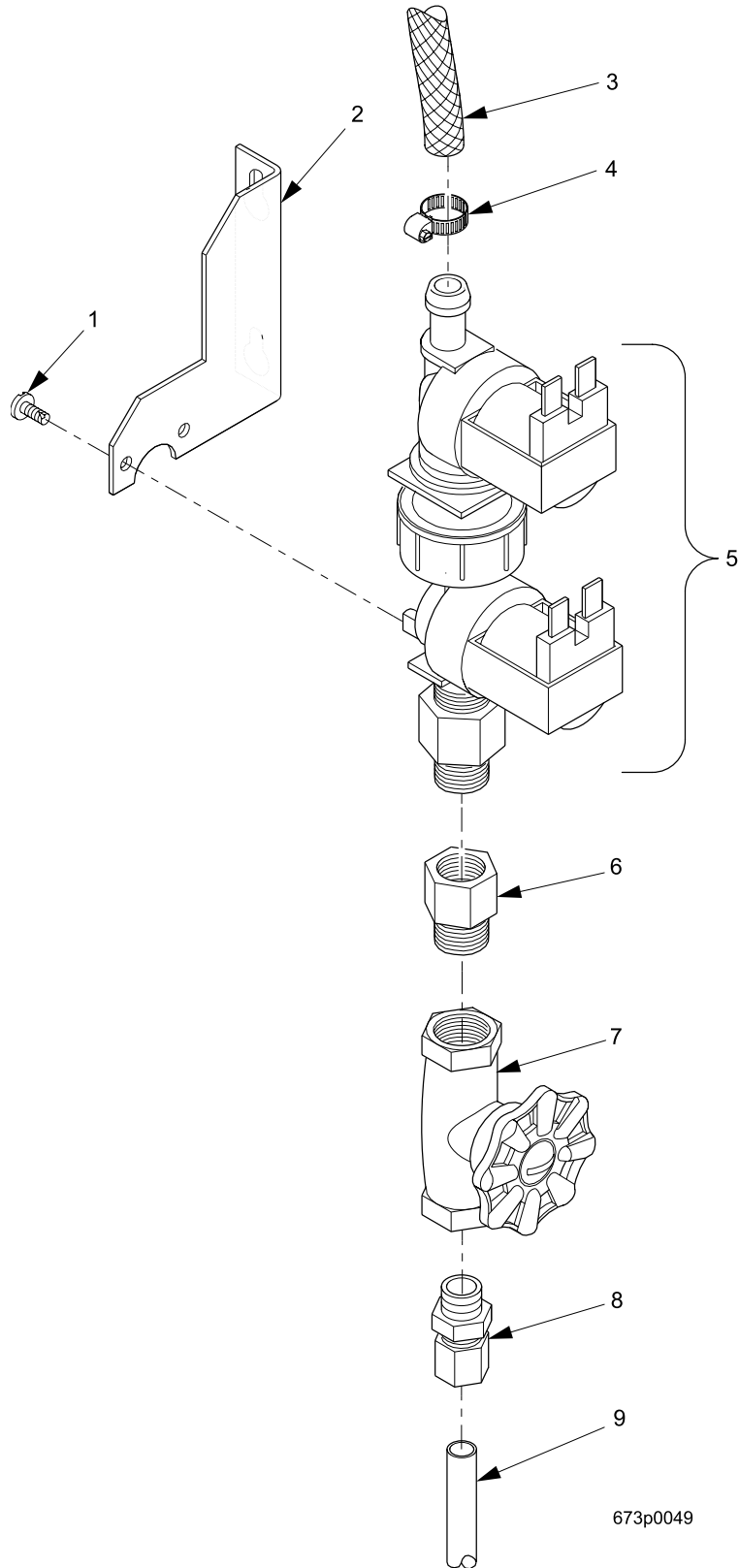


FIGURE 28 BRACKET AND VALVE ASSEMBLY

TABLE 28: BRACKET AND VALVE ASSEMBLY

INDEX	PART NUMBER	DESCRIPTION	QTY
1	9900203	SCREW #6-20 X 3/8 PHS T/C	--
2	6231501	SUPPORT - INLET WATER VALVE	1
3	6238166	TUBE - LONG INLET - WATER TANK LID	1
4	3154059	CLAMP - STAINLESS STEEL	2
5	3158061	VALVE ASSEMBLY - WATER INLET - U.K.	1
6	6231503	ADAPTER - 3/8 - 1/4 #222P-6-4	1
7	3108048	VALVE WATER - CONBRACO #57-001-01	1
8	6408119	MALE CONCTOR - BRASS #4-4-FBI2-B	3
9	6338017	TUBING - INLET LINE - NO FILTER	1

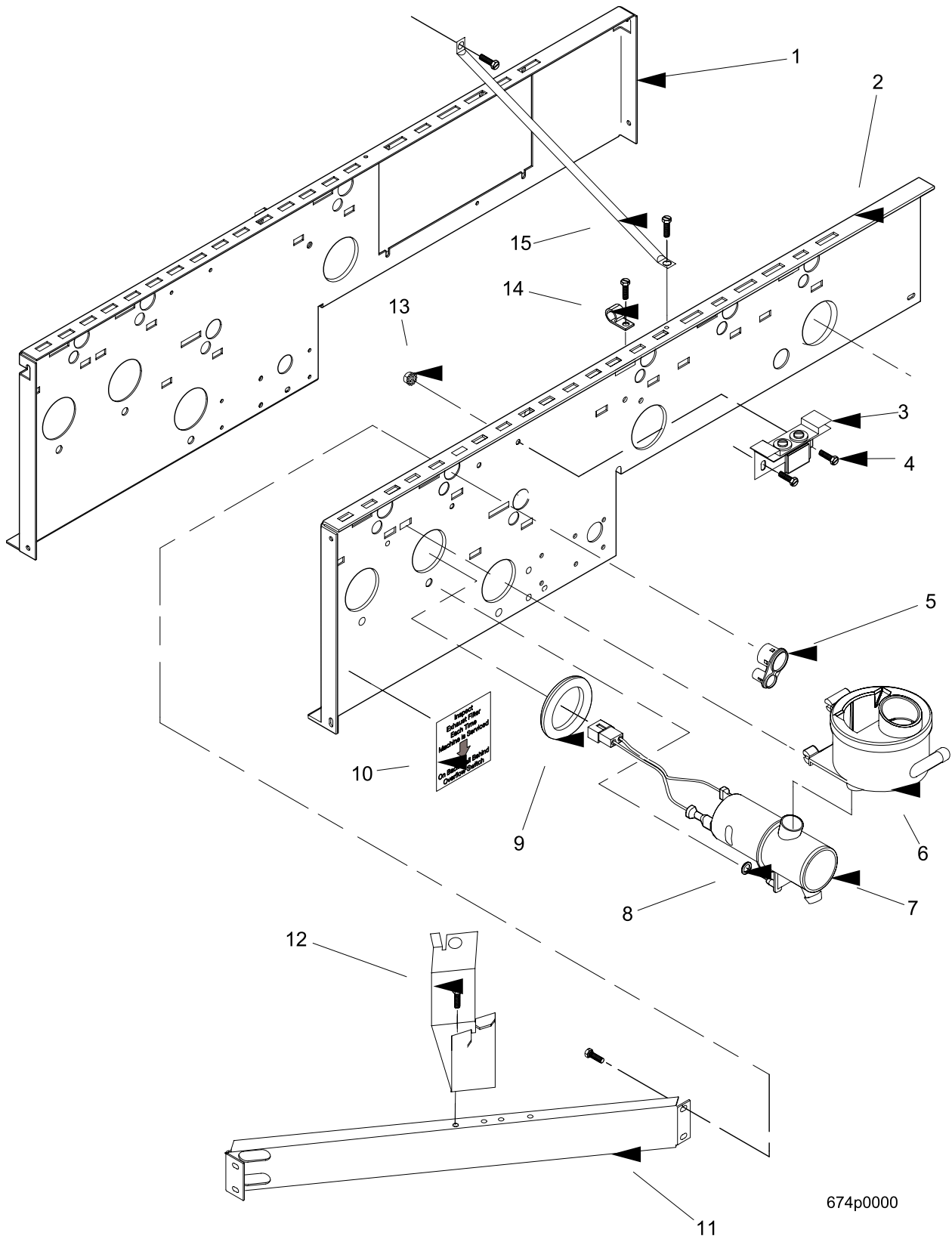
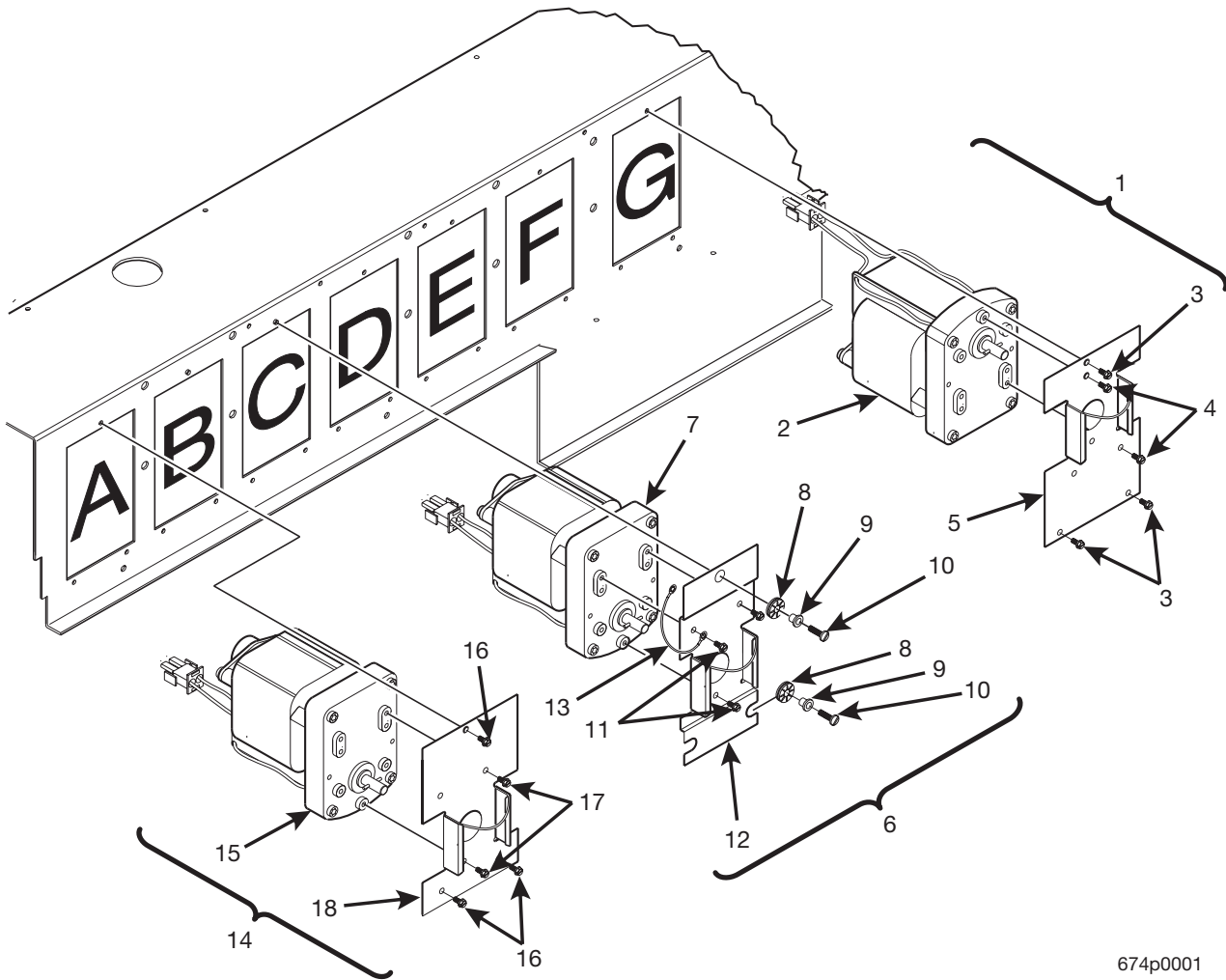


FIGURE 29 CANISTER SUPPORT ASSEMBLY

TABLE 29 CANISTER SUPPORT ASSEMBLY

INDEX	PART NUMBER	DESCRIPTION	QTY.
--	6741013	CANISTER SUPPORT ASSEMBLY - DUAL FRESH BREW	--
	6261130	CANISTER SUPPORT ASSEMBLY - FREEZE DRIED	
	6261132	CANISTER SUPPORT ASSEMBLY - FREEZE DRIED W/SOUP	
	6741011	CSTR.SPRT.ASSY-SNGL F.B.	
	6741012	CSTR.SPRT.ASSY-SGL.FB/INTL COF	
1	6741007	CHANNEL ASSY-CSTR.SUPPORT FB	1
2	6701014	CHANNEL WELD ASSY-CSTR.SUPPORT	1
3	6337057	CANISTER SUPPORT ASSEMBLY - LIGHTENER	1
4	1451097	SCREW - 1/8-32 X .31 HX HD	--
5	6237315	RETAINER - TUBE	
6	6337076	MIXING BOWL ASSEMBLY - S & P (SEE FIGURE 31 FOR DETAILS)	--
	6337078	MIXING BOWL ASSEMBLY - P & NO S	
	6337079	MIXING BOWL ASSEMBLY - NO P & NO S	
7	6237195	WHIPPER ASSEMBLY (SEE FIGURE 31 FOR DETAILS)	1
	6337081	WHIPPER ASSEMBLY - DRINK - INTERNATIONAL.	
8	2302223	GROMMET - 3/16	1
9	6237115	GROMMET - WHIPPER MOUNTING	1
10	--	LABEL	1
11	6341007	BRACE - CANISTER SUPPORT	1
12	6337017	BRACKET - FLOW RESTRICTOR	1
13	9900081	NUT #8-32 KEPS ZINC PLATE	--
14	--	CLIP - HARNESS	1
15	6231533	BRACE - CANISTER ASSEMBLY	1



674p0001

FIGURE 30 CANISTER MOTOR AND PLATE ASSEMBLIES

TABLE 30 CANISTER MOTOR AND PLATE ASSEMBLIES

INDEX	PART NUMBER	DESCRIPTION	QTY.
1	6237438	MOTOR & PLATE ASSEMBLY - COFFEE (INCLUDES INDEX NUMBERS 2-5)	1
2	6237165	MOTOR - 115 V - 200 RPM	1
3	1451097	SCREW - #8-32 X .31 HEX HD	3
4	9900157	SCREW - #8-32 X 7/32 HWHD TY23	3
5	6237077	PLATE ASSEMBLY -COFFEE MOTOR MOUNTING - WELD	1
6	6237184	MOTOR AND PLATE ASSEMBLY - 115 V (LIGHTENER) (INCLUDES INDEX NUMBERS 7, 10, 12 & 13)	1
	6237188	MOTOR & PLATE ASSEMBLY - WITH MOUNTING HARDWARE (INCLUDES INDEX NUMBERS 7-13)	
7	6237165	MOTOR - 115 V - 200 RPM	1
8	6237356	VIBRATION ISOLATOR	1
9	6237170	BUSHING - CANISTER	3
10	9900157	SCREW - #8-32 X 7/32 HWD	3
11	3102447	SCREW - 8-32 X 3/4 PHS	3
12	6237172	PLATE ASSEMBLY - MOTOR MOUNTING - LIGHTENER	1
13	1475119	JUMPER - GROUND WIRE	1
14	6237436	MOTOR & PLATE ASSEMBLY - 200 RPM (INCLUDES INDEX NUMBERS 15-18)	--
15	6237165	MOTOR - CANISTER - 115V/60HZ - 200	1
16	1451097	SCREW - #8-32 X .31 HEX HD	3
17	9900157	SCREW - #8-32 X 7/32 HWD	3
18	6237074	PLATE ASSEMBLY - MOTOR MOUNTING - WELD	1

TABLE 30A: TUBING (NOT SHOWN)

PART NUMBER	DESCRIPTION	QTY.
6238090	TUBING - 13/16 OD X 5/8 ID BLACK	A/R
6338021	TUBING - SILICONE - .375 ID X.562 OD	A/R
3618123	TUBING - U.K. - AQUAVEND - .375 ID	A/R
6137109	HOSE - EXHAUST - COFFEE CHUTE	A/R
6208037	TUBING - SILICONE - .250 ID X .437 OD	A/R

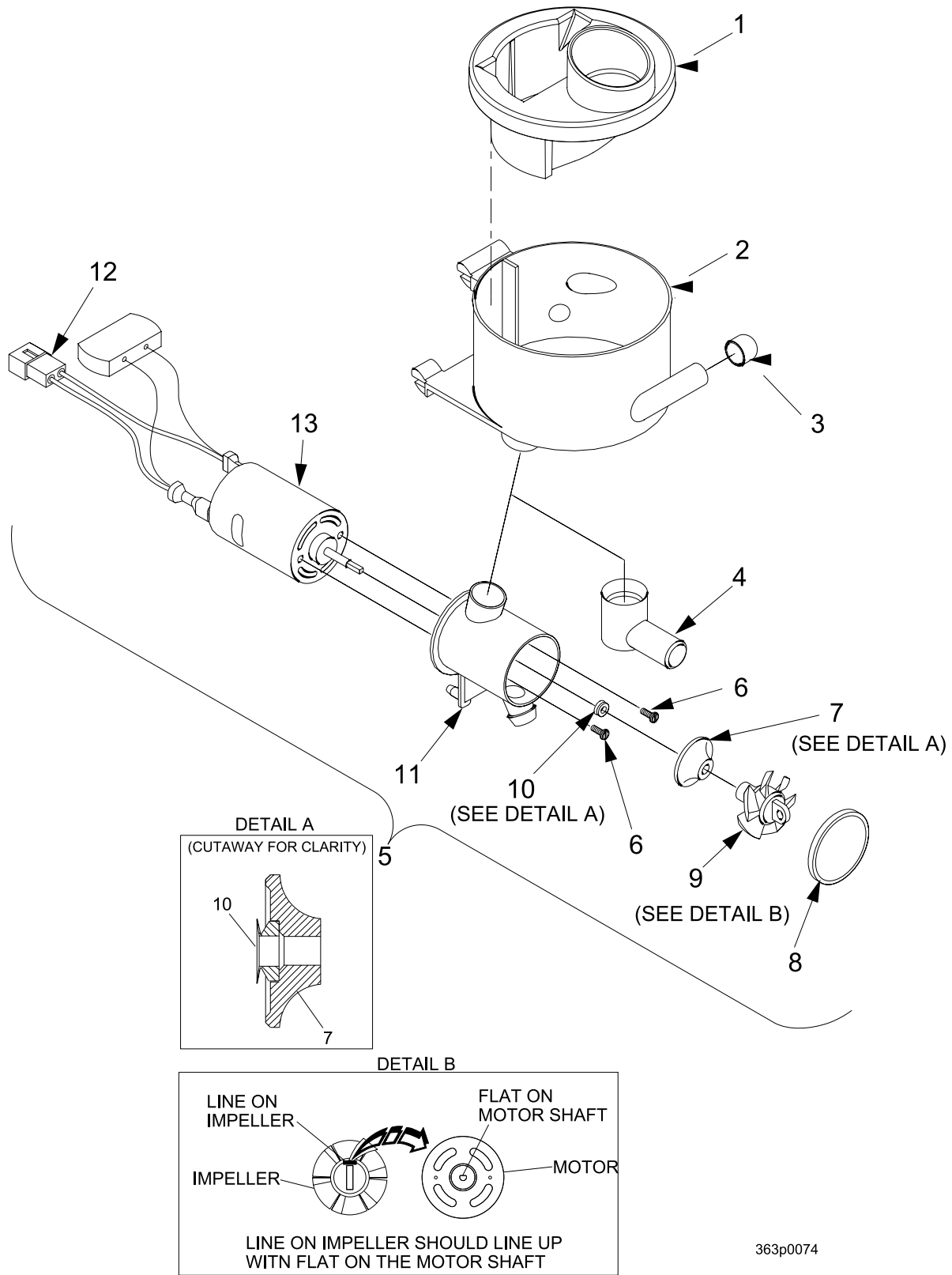
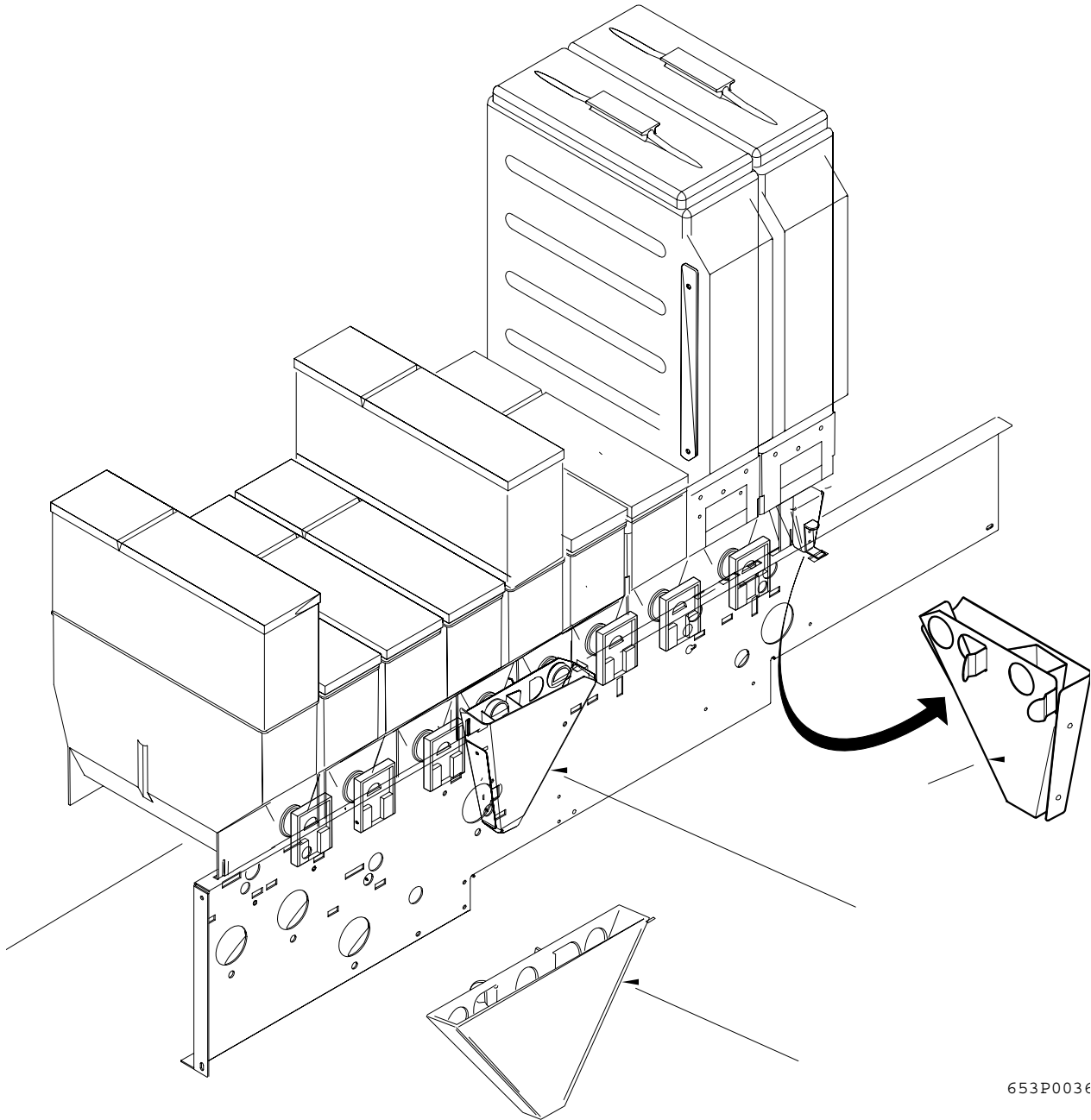


FIGURE 31 MIXING BOWL AND WHIPPER ASSEMBLY

TABLE 31 MIXING BOWL AND WHIPPER ASSEMBLY

INDEX	PART NUMBER	DESCRIPTION	QTY.
--	6337076	MIXING BOWL ASSEMBLY - S & P (INCLUDES INDEX 1-4)	--
	6337078	MIXING BOWL ASSEMBLY - P & NO S (INCLUDES INDEX 1, 2, 4)	
	6337079	MIXING BOWL ASSEMBLY - NO P & NO S (INCLUDES INDEX 1-2)	
1	6537019	VENT AND DIVIDER ASSEMBLY	1
2	6537030	MIXING BOWL	1
3	6237306	VINYL CAP - .38 I.D.	1
4	6237312	SPOUT - MIXING BOWL	1
5	6237195	WHIPPER ASSEMBLY (INCLUDES INDEX NUMBERS 6-13)	3
6	6237119	SCREW - M3XL.5-6GX6MM-SPH	2
7	6237192	SPACER - WHIPPER	1
8	6337085	COVER - WHIPPER	1
9	6237194	IMPELLER - WHIPPER	1
10	6237110	V-RING SHAFT SEAL	1
11	6237193	HOUSING - WHIPPER	1
12	6237157	WIRING HARNESS - WHIPPER MOTOR	1
13	6237111	MOTOR - WHIPPER - 24 VOLT DC	1
--	6237117	IMPELLER REMOVAL TOOL (NOT SHOWN)	1

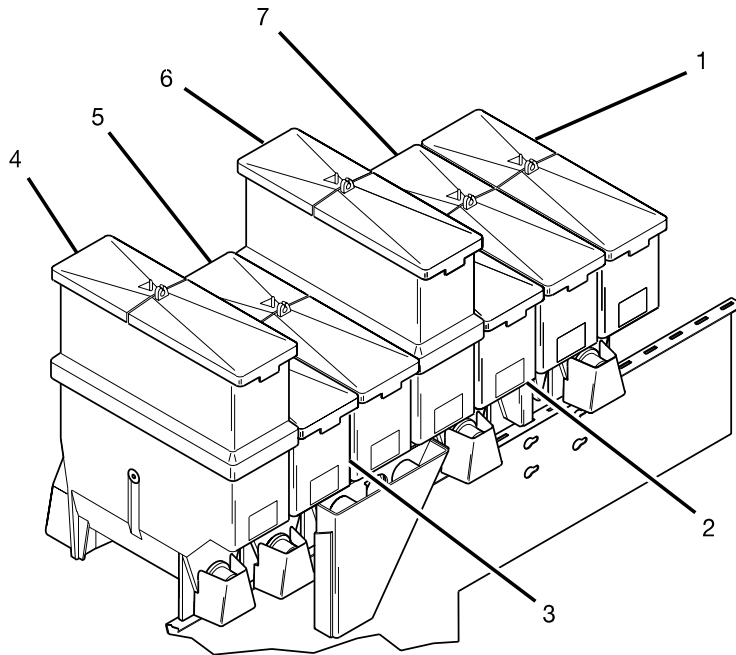


653P0036

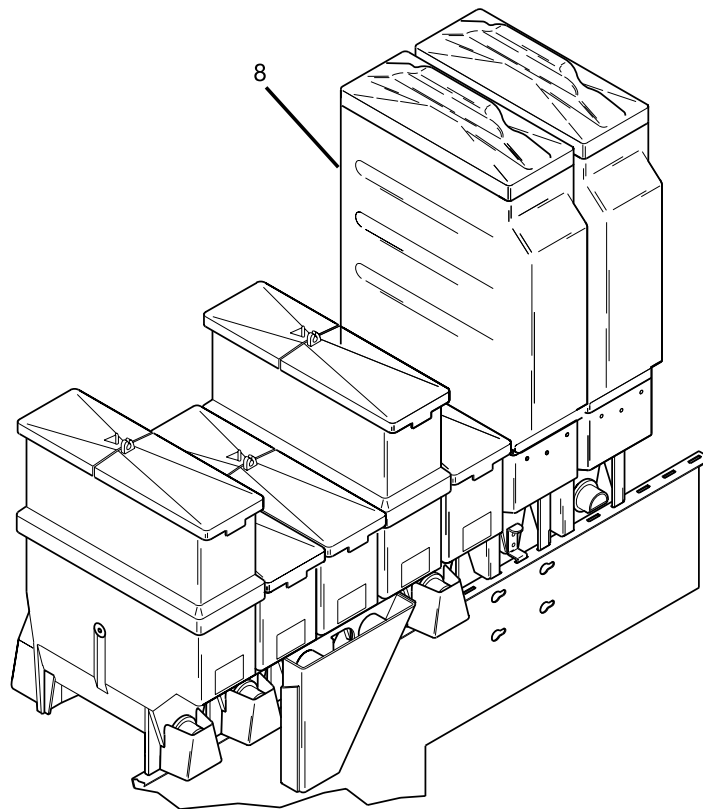
FIGURE 32 PRODUCT/CONDIMENT CHUTES

TABLE 32 PRODUCT/CONDIMENT CHUTES

INDEX	PART NUMBER	DESCRIPTION	QTY.
1	6367018	CHUTE ASSEMBLY - 2 INGREDIENT	2
2	6237287	CHUTE ASSEMBLY - SINGLE/DUAL PRODUCT - RH	1
3	6337080	CHUTE ASSEMBLY - 3 INGREDIENT	1
	6237241	CHUTE ASSEMBLY - PREGROUND COFFEE	



676 MODEL



674 MODEL

674p0007

FIGURE 33 PRODUCT AND CONDIMENT CANISTERS

TABLE 33 PRODUCT AND CONDIMENT CANISTERS

INDEX	PART NUMBER	DESCRIPTION	QTY.
1	6537022	CANISTER ASSEMBLY - FREEZE DRIED COFFEE (SEE FIGURE 38 FOR DETAILS)	OPT.
2	6537022	CANISTER ASSEMBLY - TEA (SEE FIGURE 38 FOR DETAILS)	1
3	6537024	CANISTER ASSEMBLY - OPTIONAL PRODUCT (SEE FIGURE 35 FOR DETAILS)	1
4	6537023	CANISTER ASSEMBLY - CHOCOLATE (SEE FIGURE 34 FOR DETAILS)	1
5	6237446	CANISTER ASSEMBLY - LIGHTENER (SEE FIGURE 36 FOR DETAILS)	1
6	6537025	CANISTER ASSEMBLY - SUGAR (SEE FIGURE 37 FOR DETAILS)	1
7	6537024	CANISTER ASSEMBLY - SOUP/6TH PROD (SEE FIGURE 35 FOR DETAILS)	1
8	6537022	CANISTER ASSEMBLY - COFFEE PRE-GROUND (SEE FIGURE 39 FOR DETAILS)	OPT.
	6337023	CANISTER ASSEMBLY - DECAF COFFEE PRE-GROUND (SEE FIGURE 39 FOR DETAILS)	

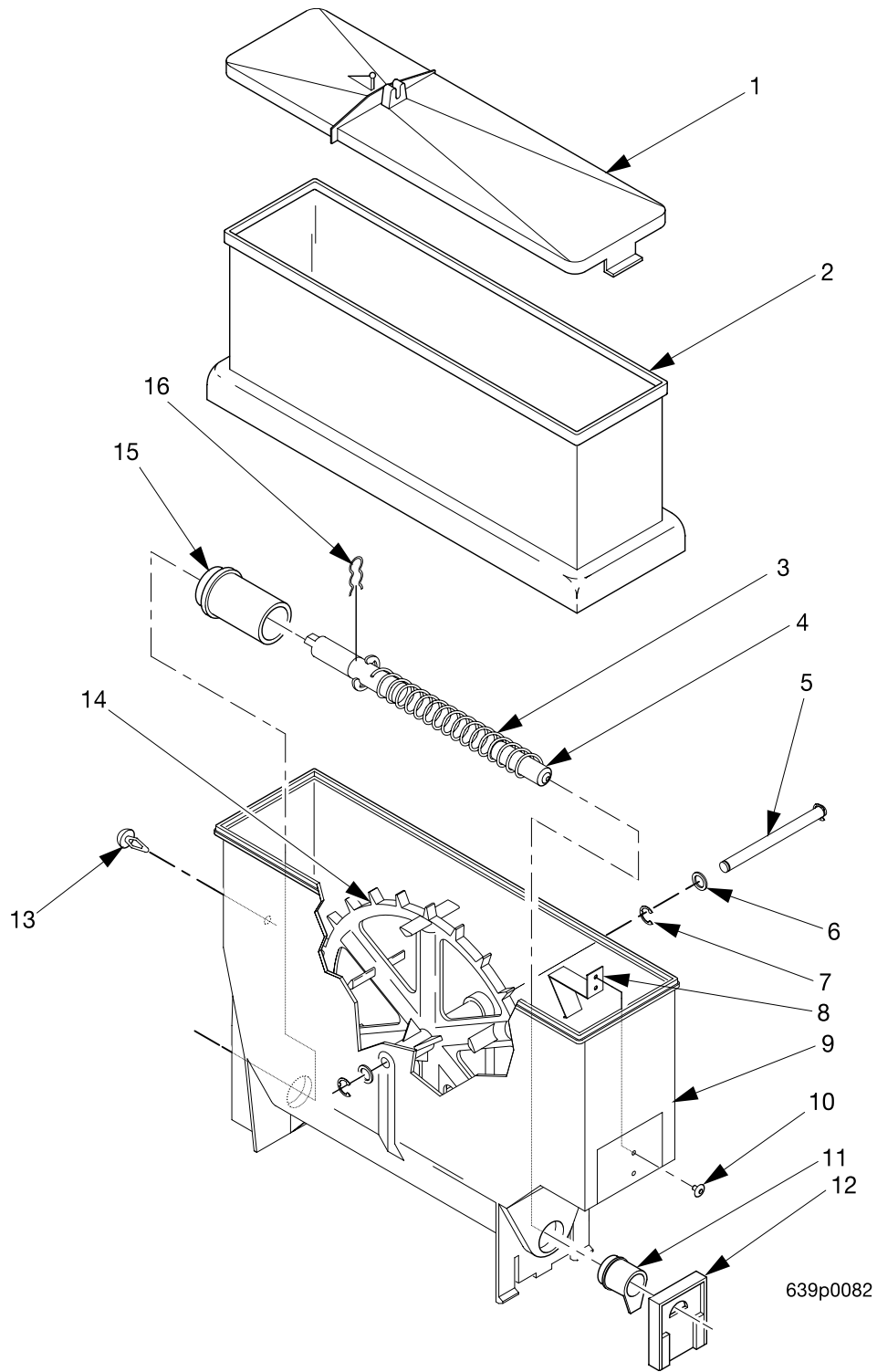


FIGURE 34 CANISTER ASSEMBLY - CHOCOLATE

TABLE 34 CANISTER ASSEMBLY - CHOCOLATE

INDEX	PART NUMBER	DESCRIPTION	QTY.
--	6537023	CANISTER ASSEMBLY - CHOCOLATE	--
1	6237023	LID - CANISTER	1
2	6237439	SLEEVE - CANISTER	1
3	6537018	AUGER AND SHAFT ASSEMBLY (INCLUDES THE NEXT 3 ITEMS)	1
--	6237025	RETAINING RING - "E"-.500	1
4	6537021	PLUG - AUGER	1
5	6237167	SHAFT - CANISTER	1
6	6237116	WASHER - SEAL - WEAR PLATE	2
7	9900415	RETAINING RING REINF E TYP.1	2
8	6237108	SPRING - THUMPER	1
9	6237177	BASE - CANISTER - THUMPER	1
10	6537026	ALUMINUM CAP RIVET - .187 DIA	2
11	6537014	NOZZLE - DISPENSING - F.D. COFFEE	1
12	6537013	GATE - NOZZLE - PLASTIC	1
13	6237053	FASTENER - PUSH IN	1
14	6237181	MIXING WHEEL	1
15	6237014	BEARING - CANISTER	1
16	6337020	CLIP - SPRING	1

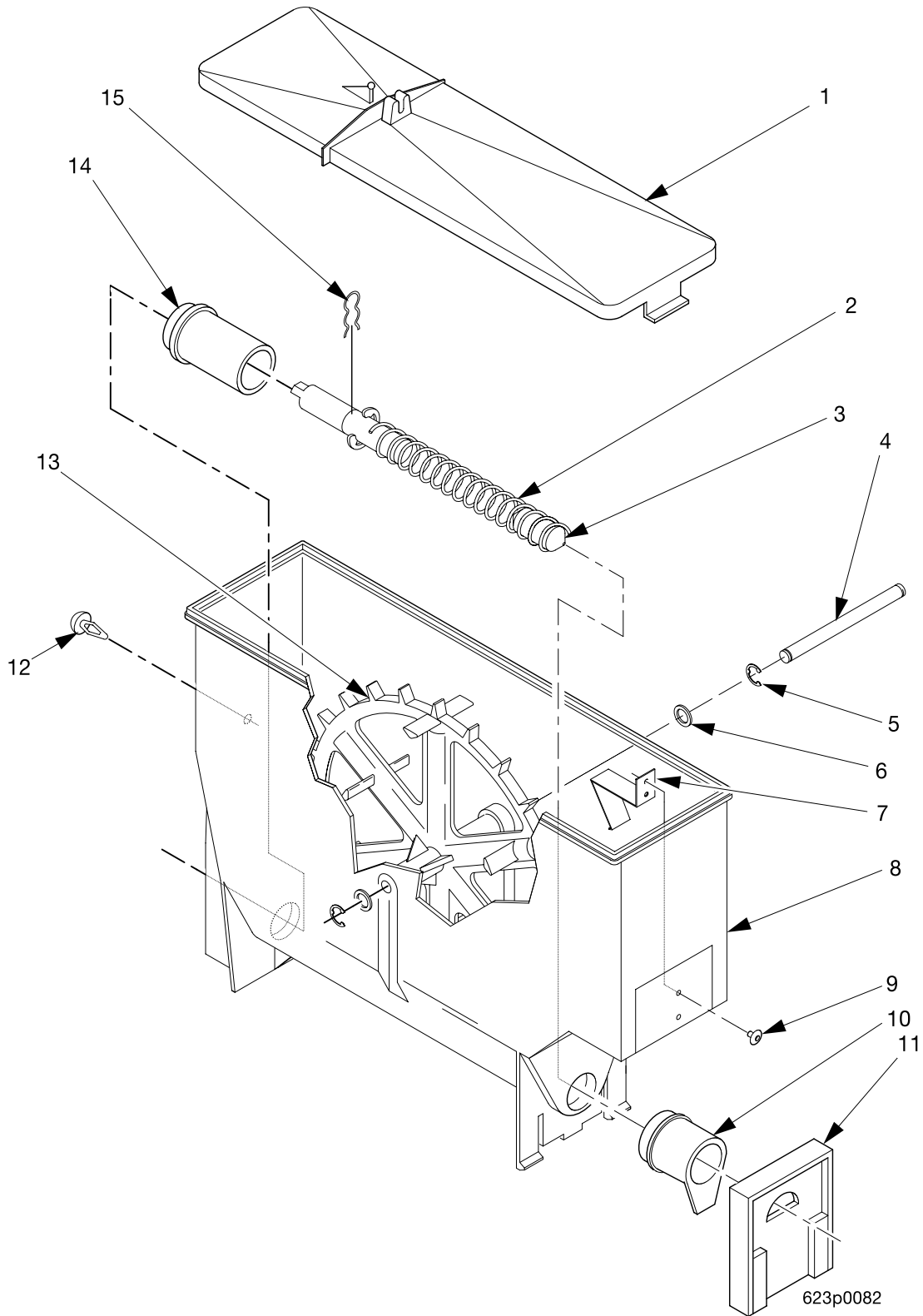
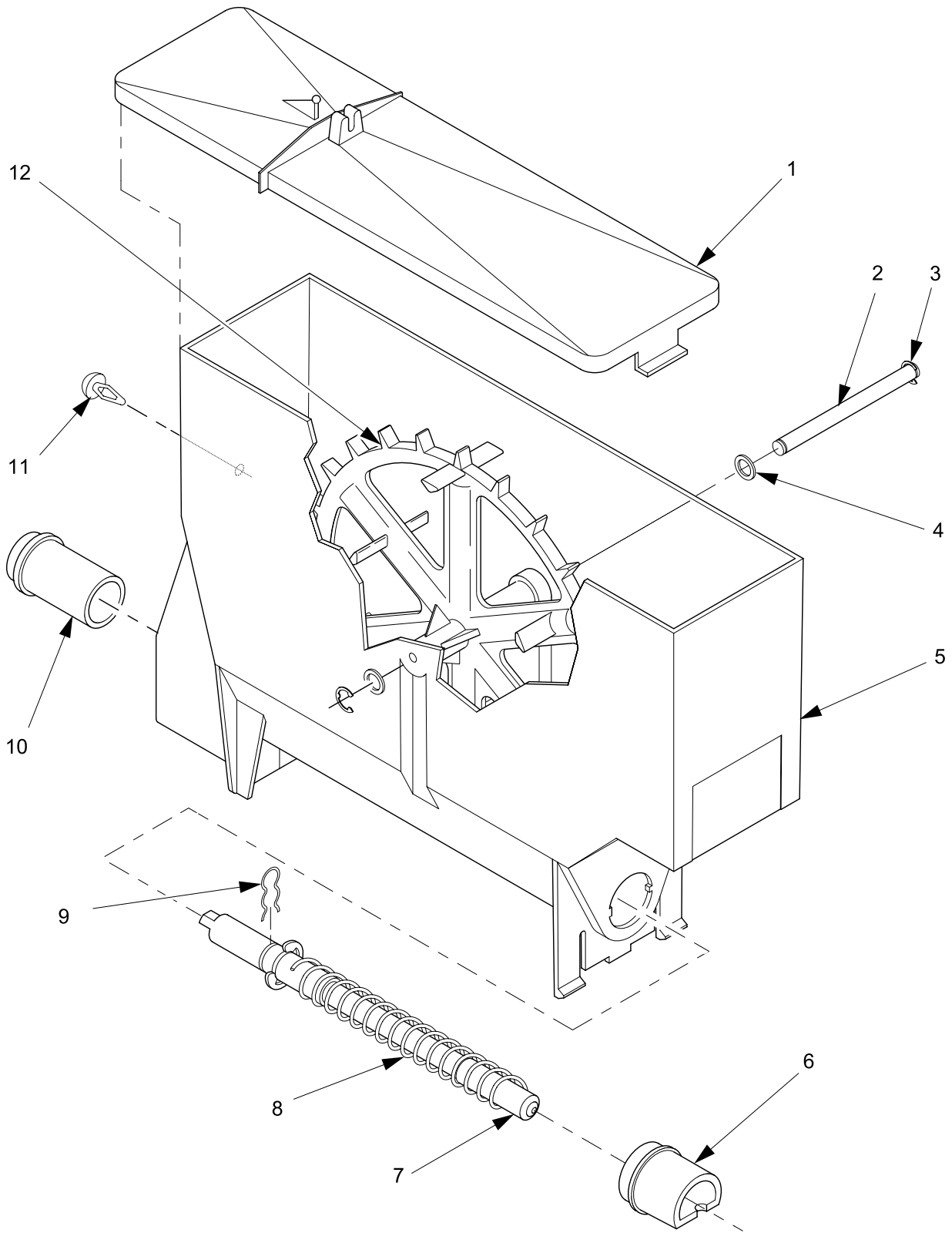


FIGURE 35 CANISTER ASSEMBLY - OPTIONAL PRODUCT OR DECAF

TABLE 35 CANISTER ASSEMBLY - OPTIONAL PRODUCT OR DECAF

INDEX	PART NUMBER	DESCRIPTION	QTY.
--	6537024	CANISTER ASSEMBLY - SOUP/6TH PRODUCT	--
1	6237023	LID - CANISTER	1
2	6537018	AUGER AND SHAFT ASSEMBLY (INCLUDES THE NEXT 3 ITEMS)	1
--	6537017	AUGER - CANISTER	1
--	6237025	RETAINING RING - "E"-.500	1
--	6337016	SHAFT - AUGER - LONG	1
3	6537021	PLUG - AUGER	1
4	6237167	SHAFT - CANISTER	1
5	9900415	RETAINING RING REINF E TYP.1	2
6	6237116	WASHER - SEAL - WEAR PLATE	2
7	6237108	SPRING - THUMPER	1
8	6237177	BASE - CANISTER - THUMPER	1
9	6537026	ALUMINUM CAP RIVET - .187 DIA	2
10	6537014	NOZZLE - DISPENSING - CANISTER	1
11	6537013	GATE - NOZZLE - PLASTIC	1
12	6237053	FASTENER - PUSH IN	1
13	6237181	MIXING WHEEL	1
14	6237014	BEARING - CANISTER	1
15	6337020	CLIP - SPRING	1

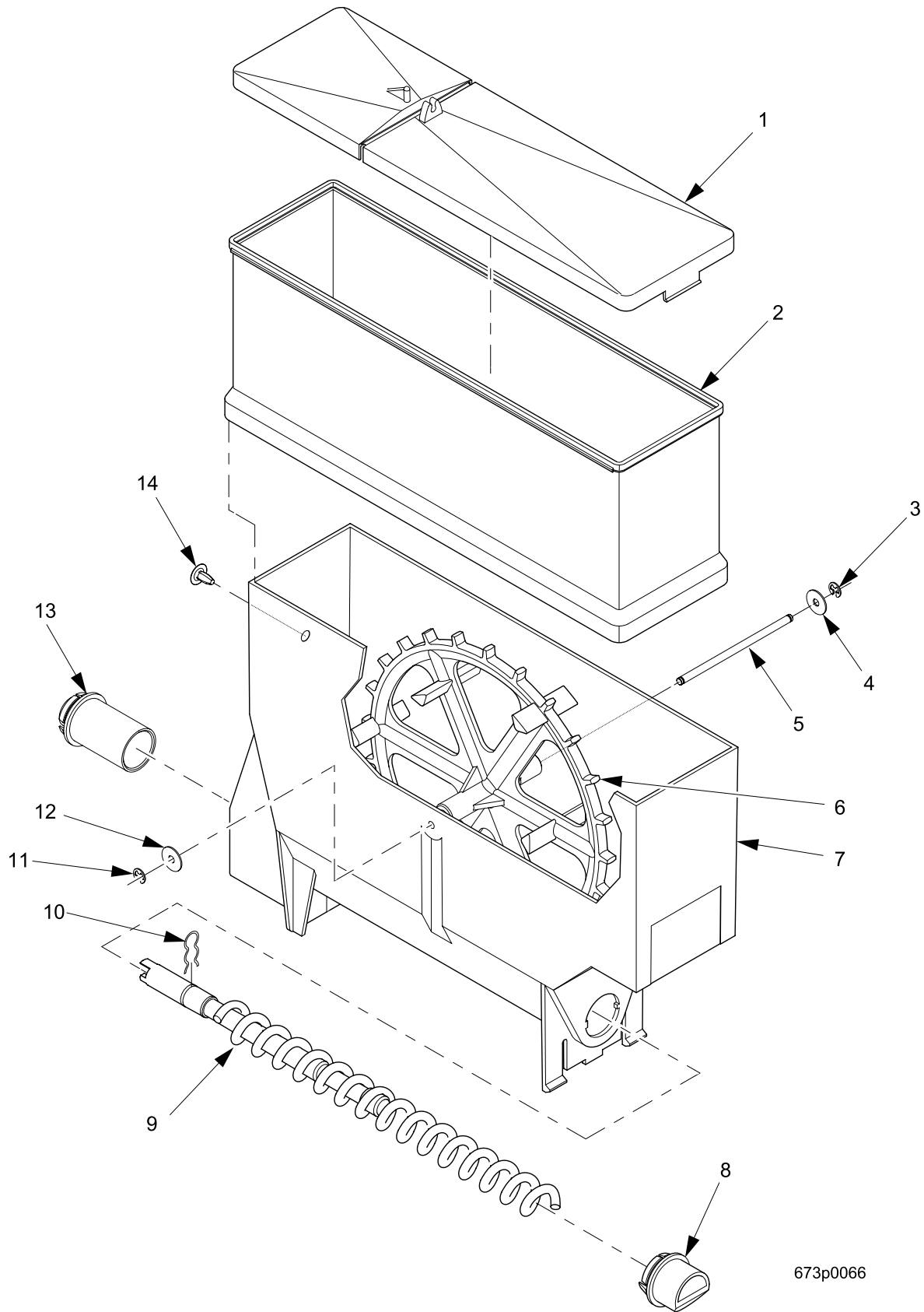


673p0058

FIGURE 36 CANISTER ASSEMBLY - LIGHTENER

TABLE 36 CANISTER ASSEMBLY - LIGHTENER

INDEX	PART NUMBER	DESCRIPTION	QTY.
--	6237446	CANISTER ASSEMBLY - LIGHTENER	--
1	6237023	LID - CANISTER	1
2	6237167	SHAFT - CANISTER	1
3	9900415	RETAINING RING REINF E TYP.1	2
4	6237116	WASHER - SEAL - WEAR PLATE	2
5	6237176	BASE - CANISTER	1
6	6237106	NOZZLE - DISPENSING - CANISTER	1
	6237063	NOZZLE - DISPENSING - CANISTER	
7	6337016	SHAFT - AUGER - LONG	1
8	6237129	AUGER - CANISTER	1
9	6337020	CLIP - SPRING	1
10	6237014	BEARING - CANISTER	1
11	6237053	FASTENER - PUSH IN	1
12	6237181	MIXING WHEEL	1



673p0066

FIGURE 37 CANISTER ASSEMBLY - SUGAR

TABLE 37 CANISTER ASSEMBLY - SUGAR

INDEX	PART NUMBER	DESCRIPTION	QTY.
--	6537025	CANISTER ASSEMBLY - 1 SLV - W/MIXING	--
1	6237023	LID - CANISTER	1
2	6237008	SLEEVE - CANISTER 4 IN	1
3	9900415	RETAINING RING REINF E TYP.1	1
4	6237116	WASHER - SEAL - WEAR PLATE	1
5	6237167	SHAFT - CANISTER	1
6	6237181	MIXING WHEEL	1
7	6237176	BASE - CANISTER	1
8	6237063	NOZZLE - DISPENSING - CANISTER	1
9	6537018	AUGER AND SHAFT ASSEMBLY (INCLUDES THE NEXT 3 ITEMS)	1
--	6537017	AUGER - CANISTER	1
--	6237025	RETAINING RING-"E"-.500	1
--	6337016	SHAFT - AUGER - LONG	1
10	6337020	CLIP - SPRING	1
11	9900415	RETAINING RING REINF E TYP.1	1
12	6237116	WASHER - SEAL - WEAR PLATE	1
13	6237014	BEARING - CANISTER	1
14	6237053	FASTENER - PUSH IN	1

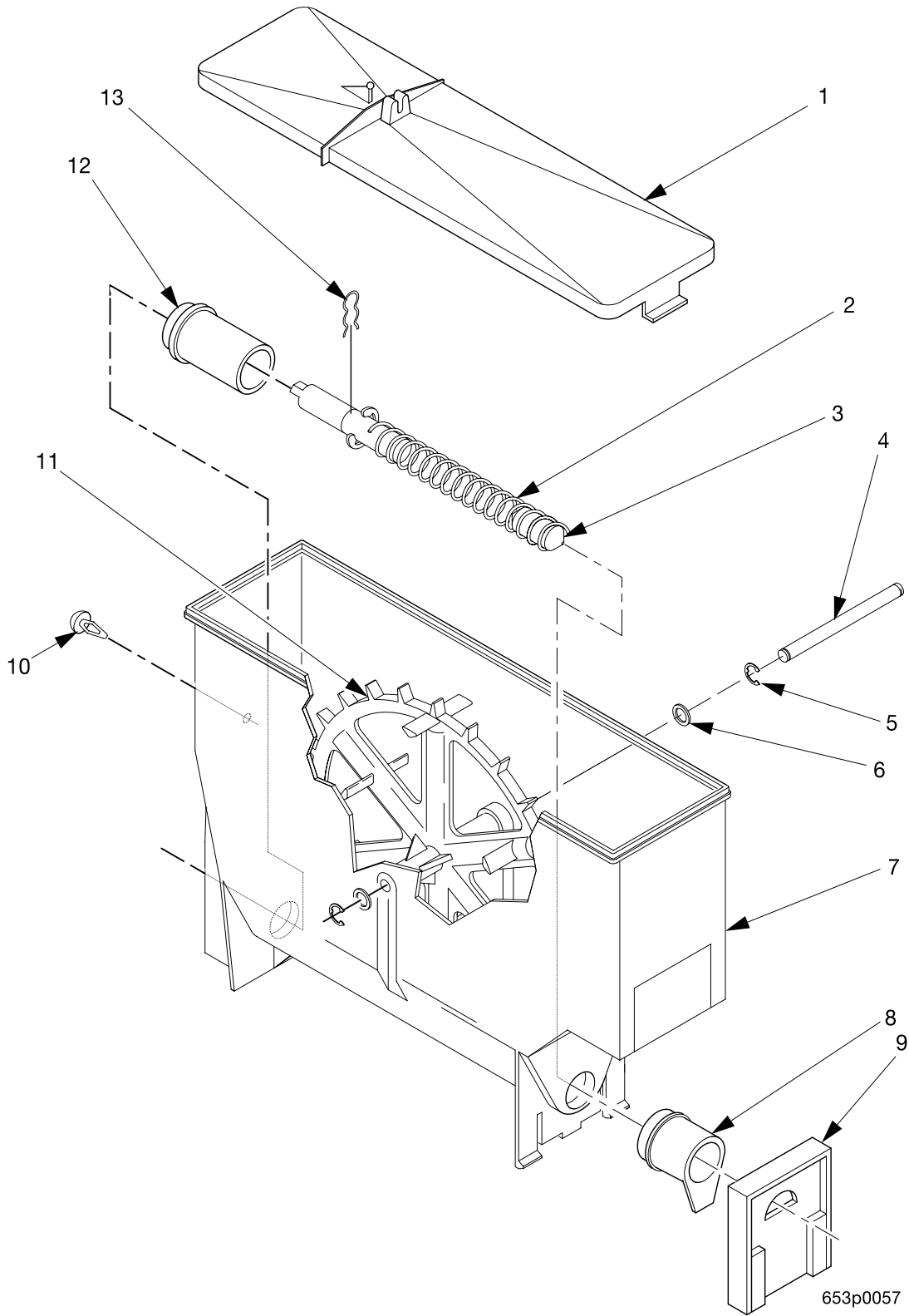
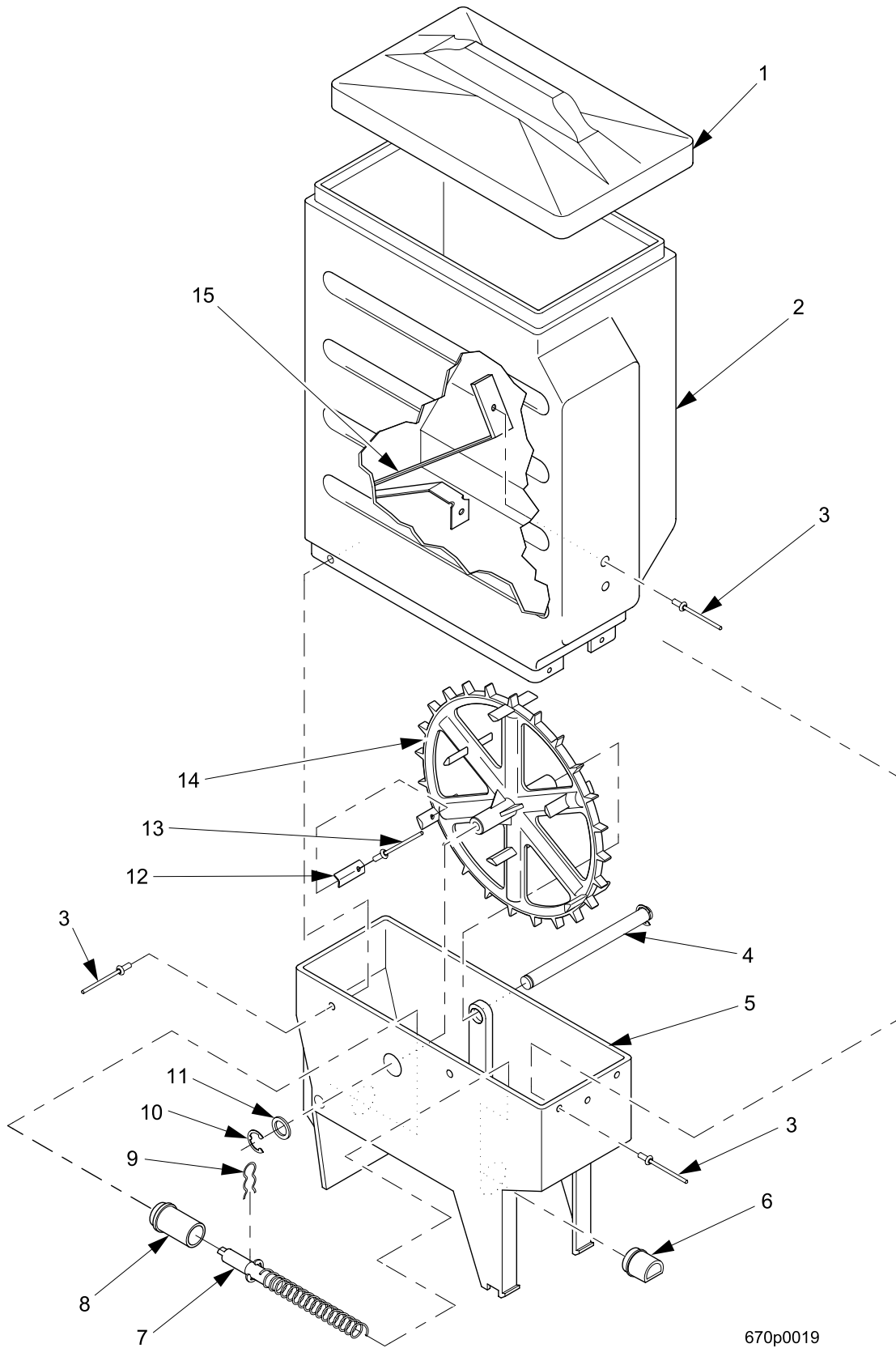


FIGURE 38 CANISTER ASSEMBLY - FREEZE DRIED COFFEE

TABLE 38 CANISTER ASSEMBLY - FREEZE DRIED COFFEE

INDEX	PART NUMBER	DESCRIPTION	QTY.
--	6537022	CANISTER ASSEMBLY - FREEZE DRIED COFFEE	--
1	6237023	LID - CANISTER	1
2	6537018	AUGER AND SHAFT ASSEMBLY (INCLUDES THE NEXT 3 ITEMS)	1
3	6537021	PLUG - AUGER	1
4	6237167	SHAFT - CANISTER	1
5	9900415	RETAINING RING REINF TYP.1	2
6	6237116	WASHER - SEAL - WEAR PLATE	2
7	6237176	BASE - CANISTER	1
8	6537014	NOZZLE - DISPENSING - CANISTER	1
9	6537013	GATE - NOZZLE - PLASTIC	1
10	6237053	FASTENER - PUSH IN	1
11	6237181	MIXING WHEEL	1
12	6237014	BEARING - CANISTER	1
13	6337020	CLIP - SPRING	1



670p0019

FIGURE 39 CANISTER ASSEMBLY - FRESH BREW COFFEE

TABLE 39 CANISTER ASSEMBLY - FRESH BREW COFFEE

INDEX	PART NUMBER	DESCRIPTION	QTY.
--	6337022	CANISTER ASSEMBLY - COFFEE PRE-GROUND FRESH BREW	--
1	6237066	LID - CANISTER	1
2	6337024	SLEEVE - CANISTER	1
3	6537026	ALUMINUM CAP RIVET - .187 DIA	12
4	6337032	SHAFT - CANISTER - COFFEE	1
5	6337021	CANISTER BASE - FRESH BREW COFFEE	1
6	6237063	NOZZLE - DISPENSING - CANISTER	1
7	6237095	AUGER AND SHAFT ASSEMBLY (CONTAINS THE TWO ITEMS BELOW)	1
--	6237045	AUGER - CANISTER - COFFEE	--
--	6237097	SHAFT - AUGER	--
8	6237014	BEARING - CANISTER	1
9	6337020	CLIP - SPRING	1
10	9900415	RETAINING RING REINF E TYP.1	2
11	6237116	WASHER - SEAL - WEAR PLATE	2
12	6337087	EXTENSION - WHEEL - FRESH BREW COFFEE	2
13	6537026	ALUMINUM CAP RIVET - .187 DIA	2
14	6337030	MIXING WHEEL ASSEMBLY	1
15	6237020	SPRING - GROUND COFFEE	1

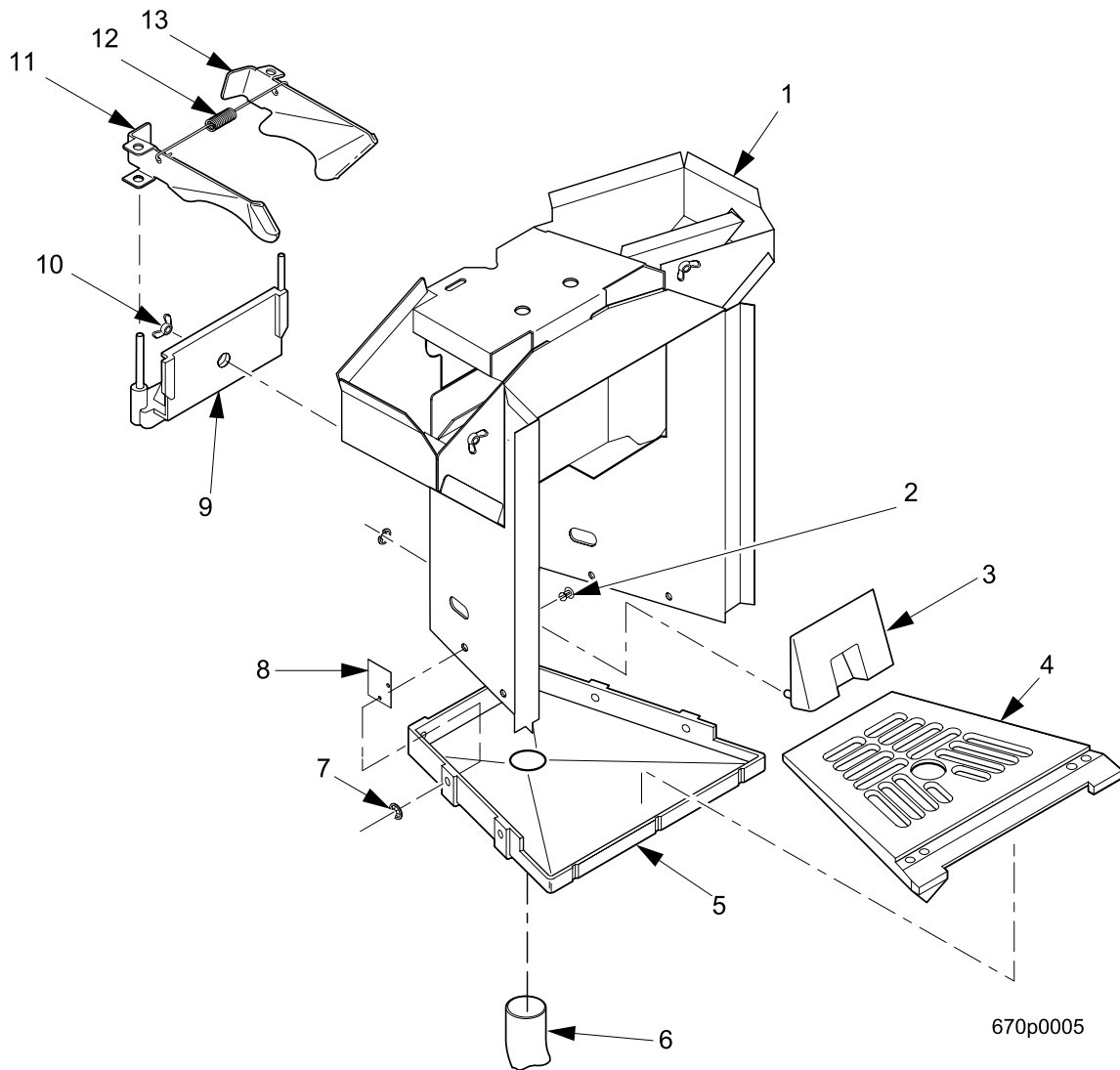


FIGURE 40 CUP DELIVERY ASSEMBLY

TABLE 40 CUP DELIVERY ASSEMBLY

INDEX	PART NUMBER	DESCRIPTION	QTY.
--	6701009	CUP DELIVERY ASSEMBLY - FINAL POSIVEND	--
	6701010	CUP DELIVERY ASSEMBLY - POSIVEND	
1	6701001	WELD ASSEMBLY - CUP DELIVERY	1
2	6231492	PUSH-IN FASTENER	6
3	6231443	CUP SPACER/SENSOR LENS	1
4	6231432	DRAIN TRAY	1
5	6231489	BASE - CUP DELIVERY STATION	1
6	6231430	TUBE - DRAIN	1
7	6231431	RETAINER - .188	10
8	3281084	GUARD - IR SPLASH	2
9	6231488	MOUNTING ASSEMBLY - CUP DEFLECTOR	1
10	3103133	WING NUT - #8-32 STAINLESS	1
11	6231438	CUP DEFLECTOR - RIGHT	1
12	6231495	SPRING - CUP DEFLECTOR	1
13	6231439	CUP DEFLECTOR - LEFT	1

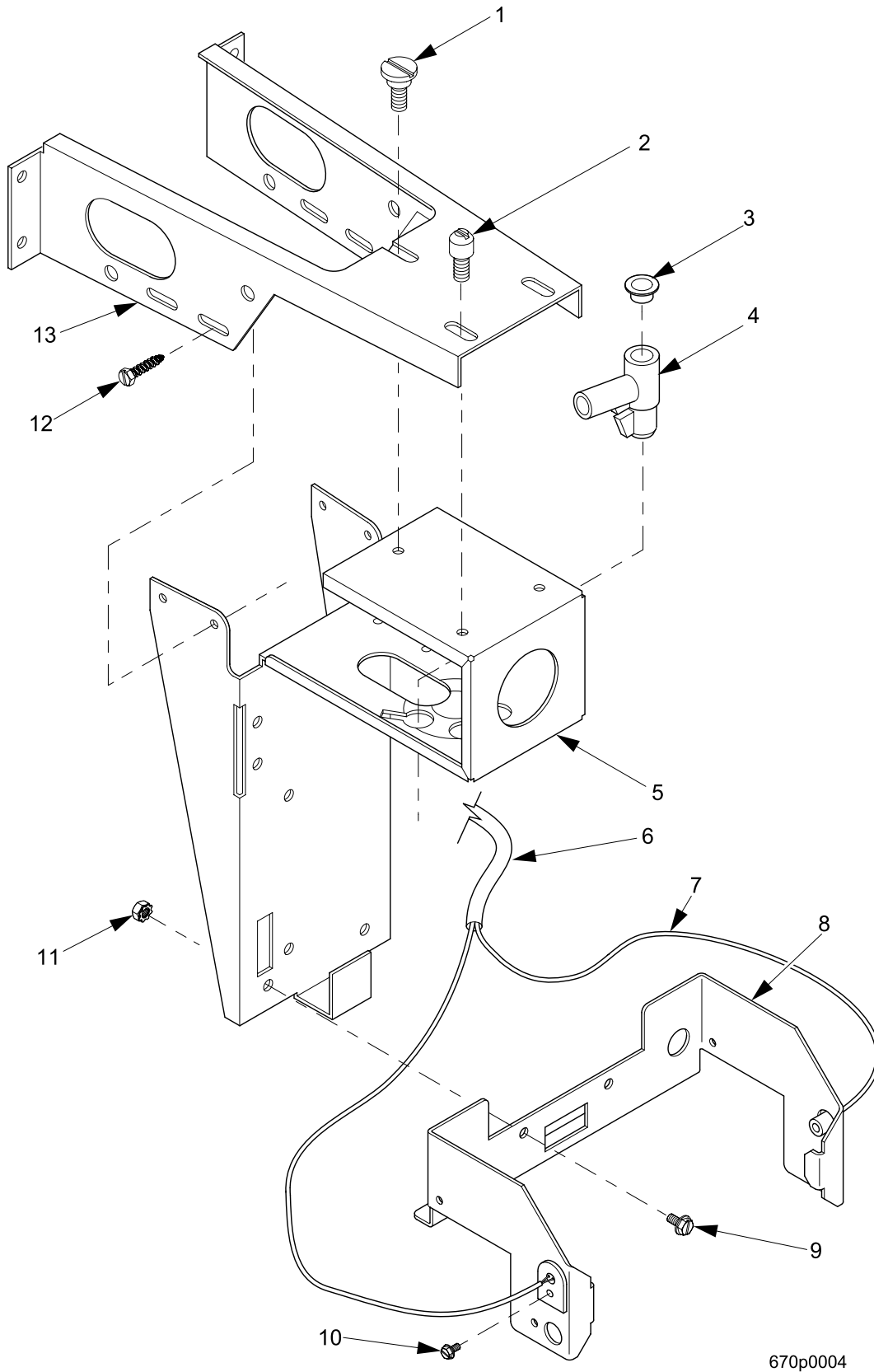
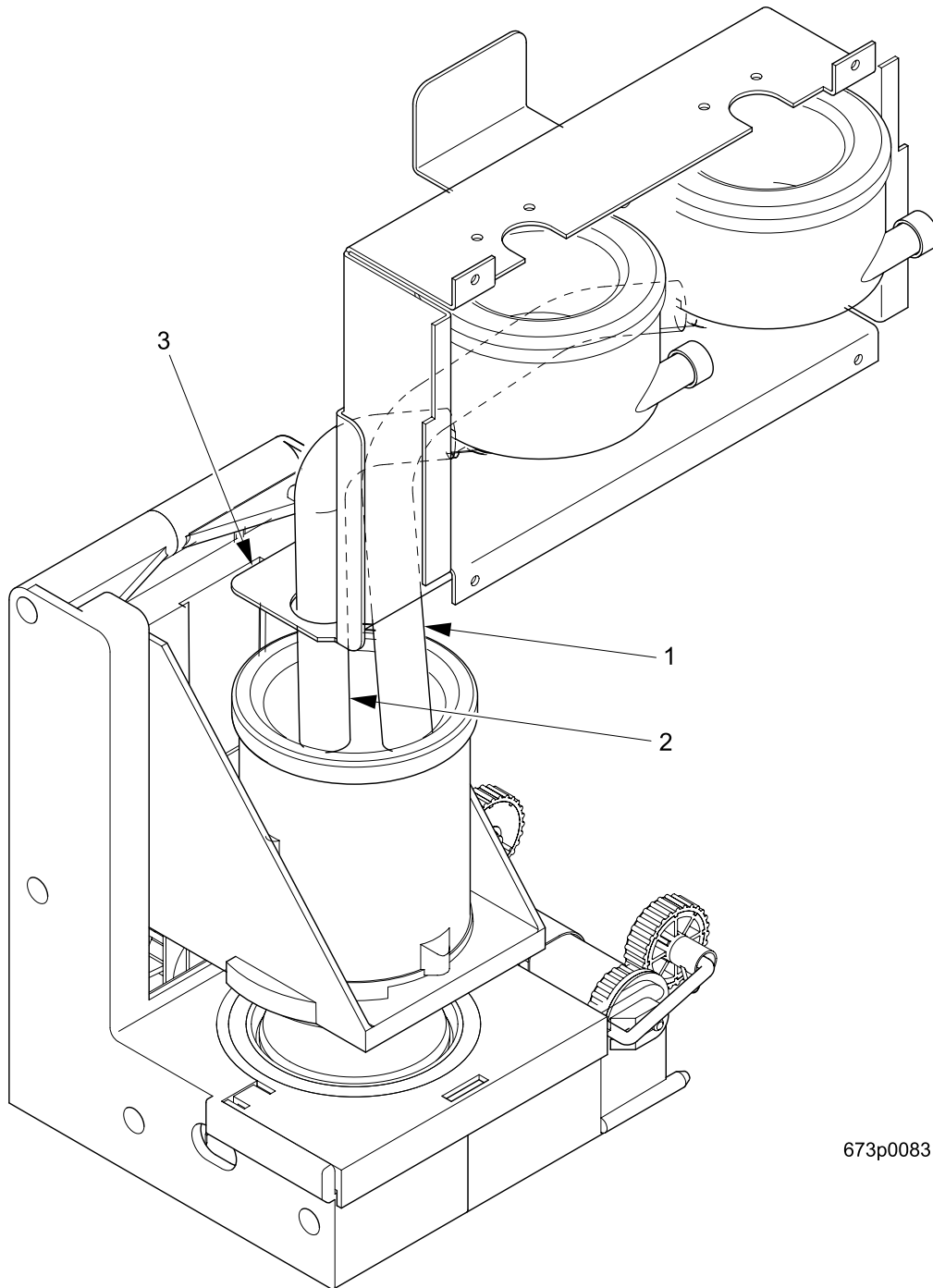


FIGURE 41 CUP STATION SUPPORT

TABLE 41 CUP STATION SUPPORT

INDEX	PART NUMBER	DESCRIPTION	QTY.
--	6551014	SUPPORT ASSEMBLY - CUP STATION	--
1	4247204	STUD - STORAGE TRAY	1
2	4041102	STUD - COLUMN LOCATOR	1
3	4711020	CAPLUG - SPOUT	4
4	6117010	SPOUT - DISPENSING	4
5	6551006	CUP STATION SUPPORT	1
--	6701009	CUP DELIVERY ASSEMBLY - FINAL - PV (INCLUDES ITEMS 6-9 & 12)	--
6	6559011	HARNESS - JUMPER TO I/O BOARD	1
7	6559010	HARNESS ASSEMBLY - IR PAIR	1
8	3281085	BRACKET-IR REMOTE	1
9	1170206	SCREW-#8-32X3/8 PHILLIPS TRUSS HD.BLACK	2
10	1451097	SCREW - #8-32 X .31 HEX HD	2
11	9900081	NUT #8-32 KEPS ZINC PLATE	2
12	1451097	SCREW - #8-32 X .31 HEX HD	4
13	6398136	SUPPORT - CUP STATION - EUROTWIN	1



673p0083

FIGURE 42 BREWER ASSEMBLY WITH HOSES AND MIXING BOWL

TABLE 42 BREWER ASSEMBLY WITH HOSES AND MIXING BOWL

INDEX	PART NUMBER	DESCRIPTION	QTY.
1	6734013	HOSE - BREWER - COFFEE	1
2	6734020	HOSE - BREWER - DECAF	1
3	6734014	RETAINER - HOSE - BREWER	1
--	6734019	RETAINER - HOSE - BREWER - SINGLE FRESH BREW (NOT SHOWN)	1
--	6774002	RETAINER-HOSE-BREWER-DUAL GR. (NOT SHOWN)	1
--	6734021	HOSE - BREWER - COFFEE - DUAL FBG. (NOT SHOWN)	1
--	6734022	HOSE - BREWER - DECAF - DUAL FBG. (NOT SHOWN)	1

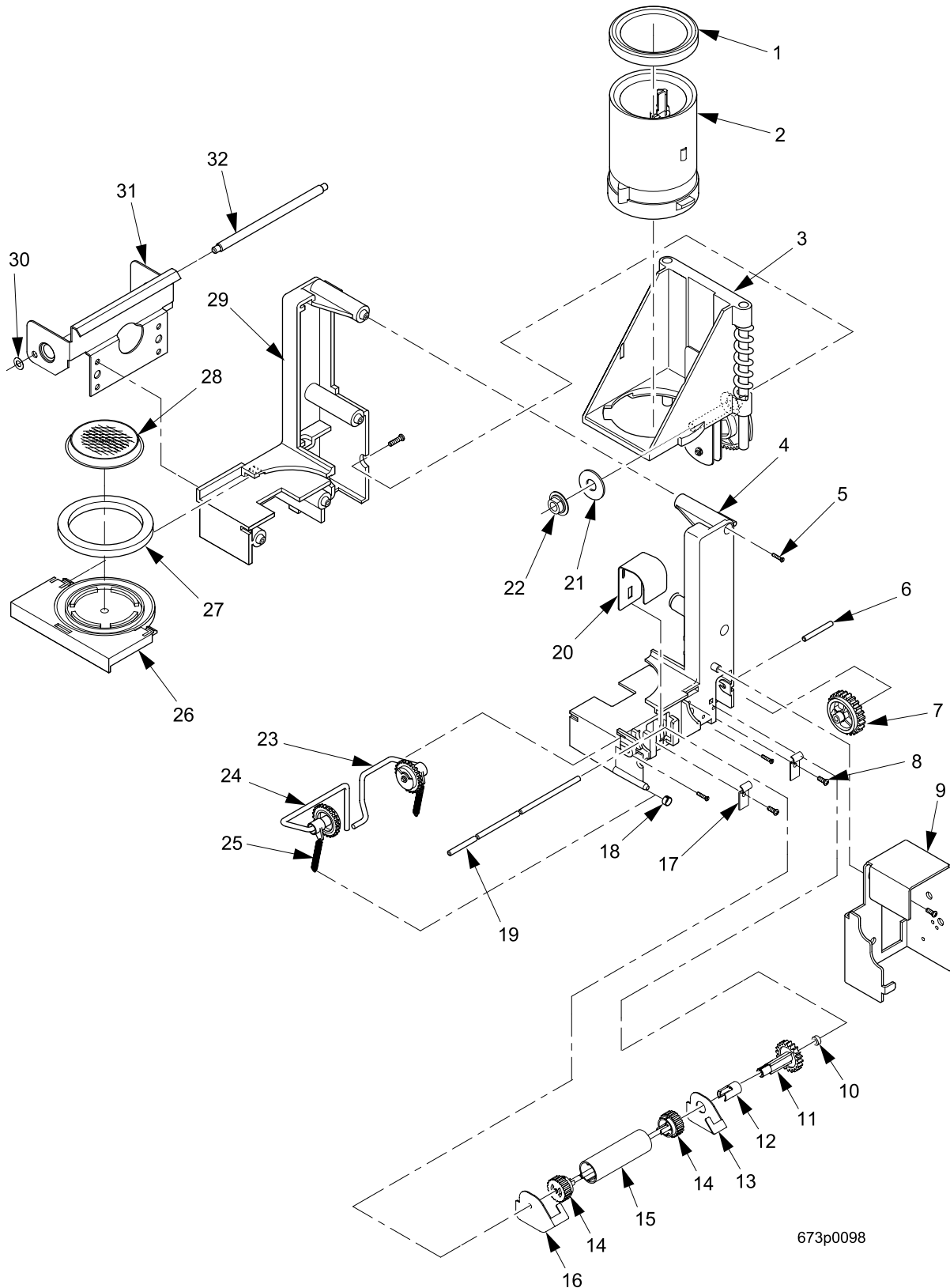


FIGURE 43 BREWER ASSEMBLY WITH FILTER

TABLE 43 BREWER ASSEMBLY WITH FILTER

INDEX	PART NUMBER	DESCRIPTION	QTY
--	6734065	BREWER ASSEMBLY - WITH FILTER	--
--	6734057	BREWER ASSEMBLY (ITEMS 1-7, 21, 22 & 29)	--
1	6404031	LID - CYLINDER	1
2	6404004	CYLINDER - BREWER	1
3	6734053	CARRIER & CAM FOLLOWER ASSEMBLY	1
4	6734124	HOUSING - BREWER - RIGHT SIDE	1
5	1572242	SCREW - #8-18 X.75 PLASTITE HH	4
6	6404023	AXLE - INDEX GEAR	1
7	6404022	GEAR - PAPER INDEX PINION	1
8	4277042	SCREW - #8-10 X.5 T/F-PHS	3
9	6734052	HOUSING - PAPER DRIVE	1
10	6734066	SPACER - .375ID X.192 OD X.156	1
11	6404024	GEAR - DRIVE - PAPER	1
12	6234603	ROLLER DRIVE - PAPER MECH.	1
13	6734078	DEFLECTOR - FILTER PAPER - RIGHT	1
14	6234620	ROLLER END CAP - PAPER MECH	2
15	6404026	ROLLER - EXTRUSION PAPER	1
16	6734077	DEFLECTOR - FILTER PAPER - LEFT	1
17	6404114	RETAINER - IDLER AXIS	2
18	6804061	RING - COMPRESSION - .25	1
19	6404025	SHAFT - PAPER DRIVE	1
20	6404113	GUIDE - PAPER	1
21	6134042	WASHER 1X.390X22GA TYPE 304	1
22	4047012	SHOULDER BUSHING	1
23	6404108	IDLER AXLE & ROLLER ASSEMBLY - RIGHT	1
24	6404107	IDLER AXLE & ROLLER ASSEMBLY - LEFT	1
25	6404067	SPRING - EXTENSION	2
--	6734100	PLATFORM, SEAL & SCREEN ASSEMBLY (INCLUDES THE NEXT 3 ITEMS)	--
26	6734060	HOUSING - SCREEN & SEAL	1
27	6404090	SEAL - BREWER	1
28	6404070	SCREEN - BREWER - 60 X 60 MESH	1
29	6734125	HOUSING - BREWER-LEFT SIDE	1
30	6404027	RETAINER - GROOVLESS	2
--	6734076	GUIDE - PAPER ASSEMBLY (INCLUDES THE NEXT 2 ITEMS)	--
31	6734073	GUIDE - PAPER ASSEMBLY	1
32	6734074	SHAFT - PAPER DRIVE	1

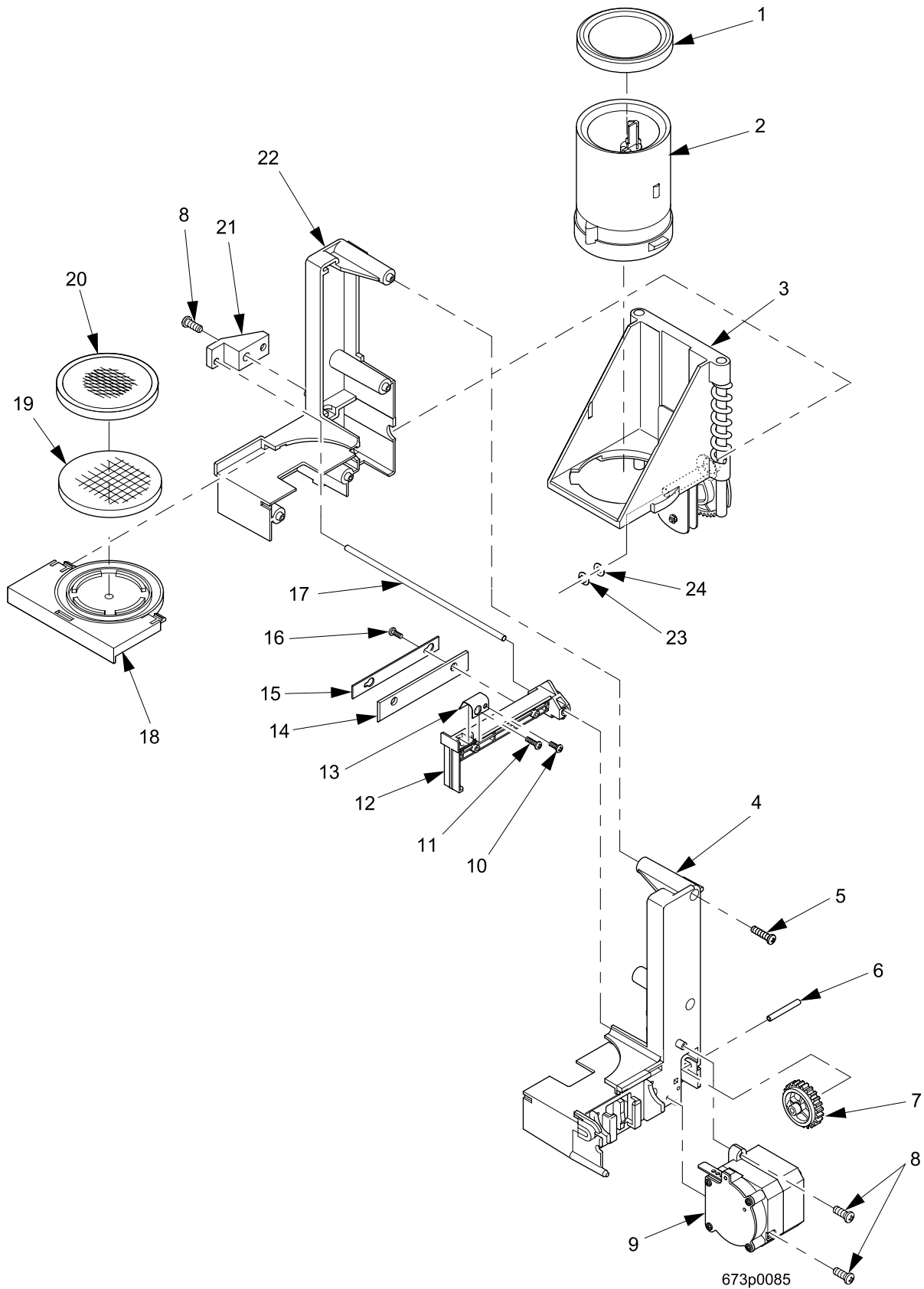
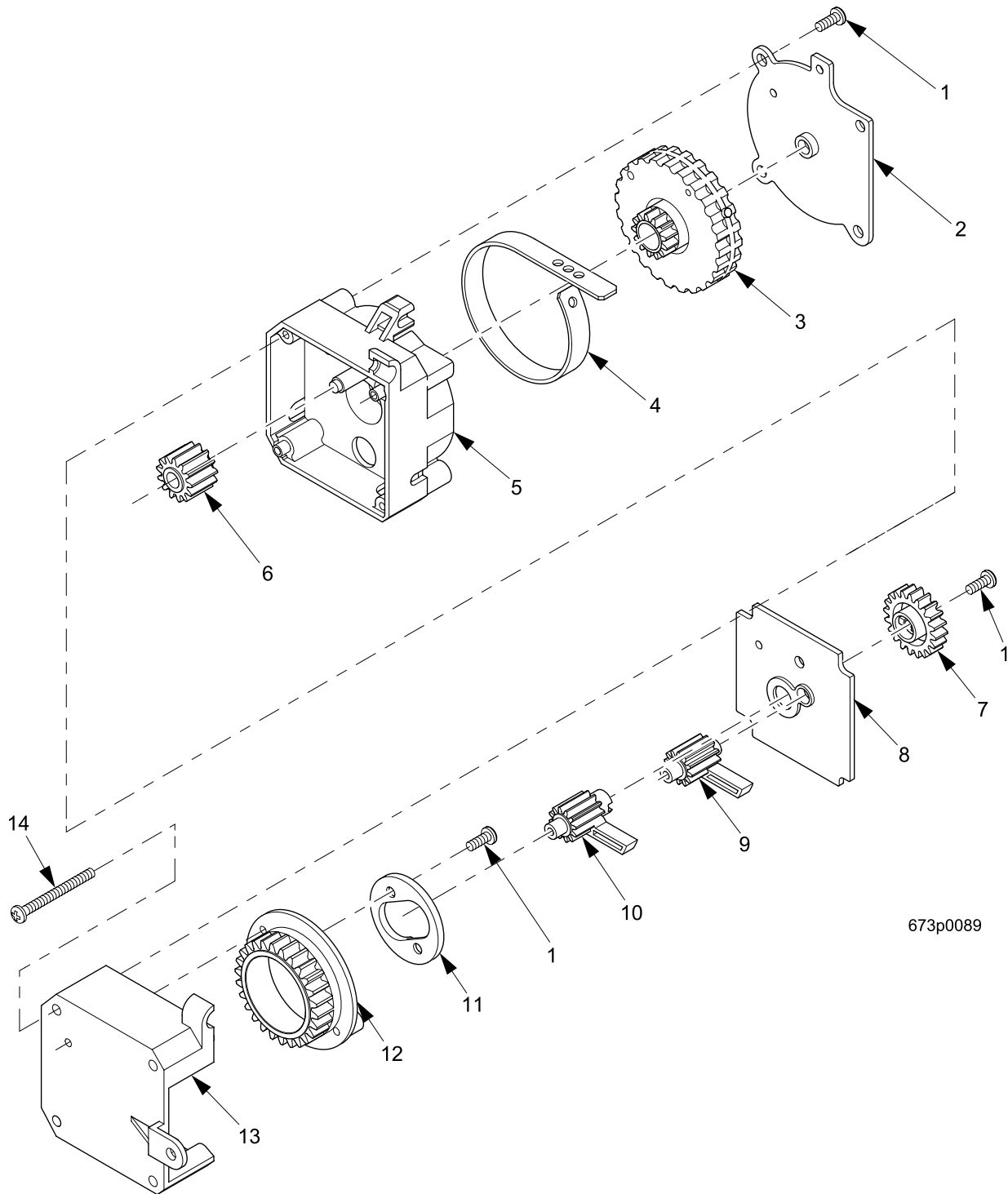


FIGURE 44 BREWER ASSEMBLY WITHOUT FILTER

TABLE 44 BREWER ASSEMBLY WITHOUT FILTER

INDEX	PART NUMBER	DESCRIPTION	QTY.
--	6734132	BREWER ASSEMBLY WITHOUT FILTER	--
1	6404031	LID - CYLINDER	1
2	6404004	CYLINDER - BREWER	1
3	6734053	CARRIER & CAM FOLLOWER ASSEMBLY (SEE FIGURE 46)	1
4	6734124	HOUSING - BREWER - RIGHT SIDE	1
5	1572242	SCREW - #8-18 X.75 PLASTITE HHS	4
6	6404023	AXLE - INDEX GEAR	1
7	6404022	GEAR - PAPER INDEX PINION	1
8	4277042	SCREW - #8-10 X.5 T/F - PHS	3
9	6734133	GEAR TRAIN AY - REVERSER MECH	1
10	4747171	SCREW - #6-19 X .38 PHIL.PHS - T/C	1
11	1577008	SCREW - #6-19 X.50 PLASTITE PHS	1
12	6734067	HOUSING & BEARING ASSEMBLY	1
13	6734047	SPRING - GUIDE	1
14	6734049	SQUEEGEE - BREWER	1
15	6734048	RETAINER - SQUEEGEE	1
16	4747171	SCREW - #6-19 X .38 PHIL.PHS - T/C	2
17	6734050	SHAFT - SQUEEGEE - HOUSING	1
18	6734060	HOUSING - SCREEN & SEAL	1
19	6734068	SCREEN - SUPPORT	1
20	6734061	SEAL & SCREEN ASSEMBLY	1
21	6734051	HOUSING - SQUEEGEE - SHAFT	1
22	6734125	HOUSING - BREWER - LEFT SIDE	1
23	6134042	WASHER 1X.390X22GA TYPE 304 SS	1
24	4047012	SHOULDER BUSHING	1
--	6734117	BREWER ASSEMBLY WITHOUT FILTER	--



673p0089

FIGURE 45 GEAR TRAIN ASSEMBLY

TABLE 45 GEAR TRAIN ASSEMBLY

INDEX	PART NUMBER	DESCRIPTION	QTY.
--	6734133	GEAR TRAIN ASSY - REVERSER MECH	--
1	4747171	SCREW - #6-19 X .38 PHIL.PHS - T/C	7
2	6734031	COVER - HOUSING - SPROCKET	1
3	6734032	SPROCKET - BELT - DRIVE	1
4	6734033	BELT	1
5	6734034	HOUSING - SPROCKET	1
6	6734035	GEAR - .65DP - 13 TEETH - 20DP	1
7	6734036	GEAR - 1PD-20 TEETH - 20DP	1
8	6734037	PLATE - HOUSING - CENTER	1
9	6734038	LINK - FOLLOWER - .5PD - 12TEETH - 24P	1
10	6734039	LINK - OUTPUT - .5PD - 12TEETH - 24PD	1
11	6734040	RETAINER - GEAR	1
12	6734041	GEAR - DRIVER	1
13	6734042	HOUSING - GEAR - DRIVER	1
14	6734043	SCREW - #6-19 X 1.50LG - PHILLIPS	4

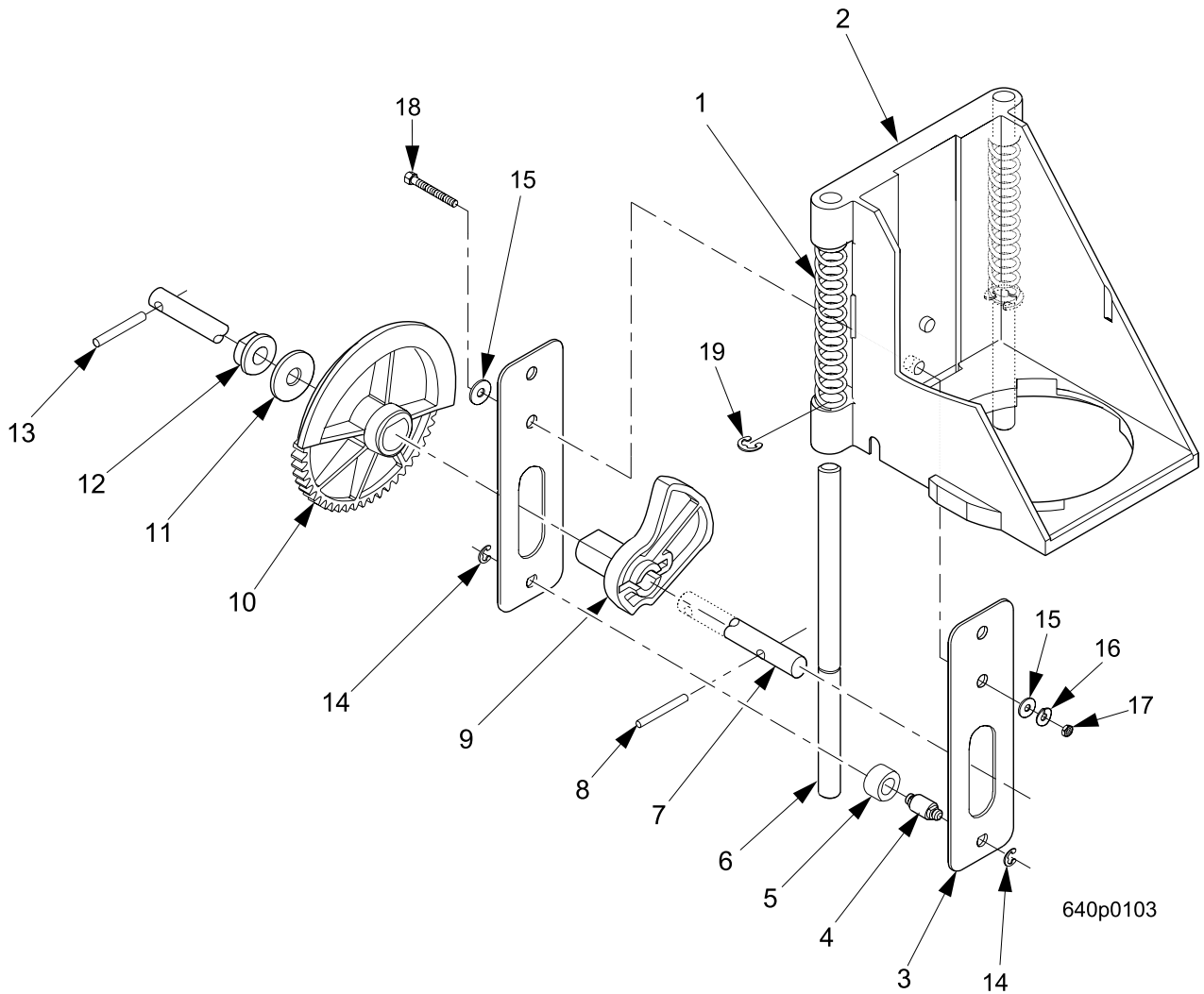


FIGURE 46 CARRIER AND CAM FOLLOWER ASSEMBLY

TABLE 46 CARRIER AND CAM FOLLOWER ASSEMBLY

INDEX	PART NUMBER	DESCRIPTION	QTY
--	6734053	CARRIER & CAM FOLLOWER ASSEMBLY	--
1	6404017	SPRING - CARRIER	2
2	6734055	CARRIER - CYLINDER	1
3	6404019	PLATE - CAM FOLLOWER	2
4	6404073	SHAFT - CAM FOLLOWER	1
5	6404074	ROLLER - CAM FOLLOWER	1
6	6734054	SHAFT - CARRIER BEARING	2
7	6404013	SHAFT - CAM	1
8	4047061	ROLL PIN - 1/8X1 1/8	1
9	6734056	CAM - CYLINDER CARRIER	1
10	6404015	GEAR - PAPER INDEX DRIVE	1
11	6134042	WASHER 1X.390X22GA TYPE 304 SS	1
12	4047012	SHOULDER BUSHING	1
13	6133157	ROLL PIN 3/16 X 1	1
14	6104220	RETAIN RING TRUARC 5133 - 18H SS	2
15	6404034	WASHER - .687 O.D. X .265 I.D. X .050	2
16	6404035	LOCK WASHER - SPLIT	1
17	6134160	NUT # 1/4-20 HEX	1
18	6404033	SCREW - 1/4-20 X 1 HEX HD.	1
19	6404036	RET.RING - REINF.E TYPE - .375	2

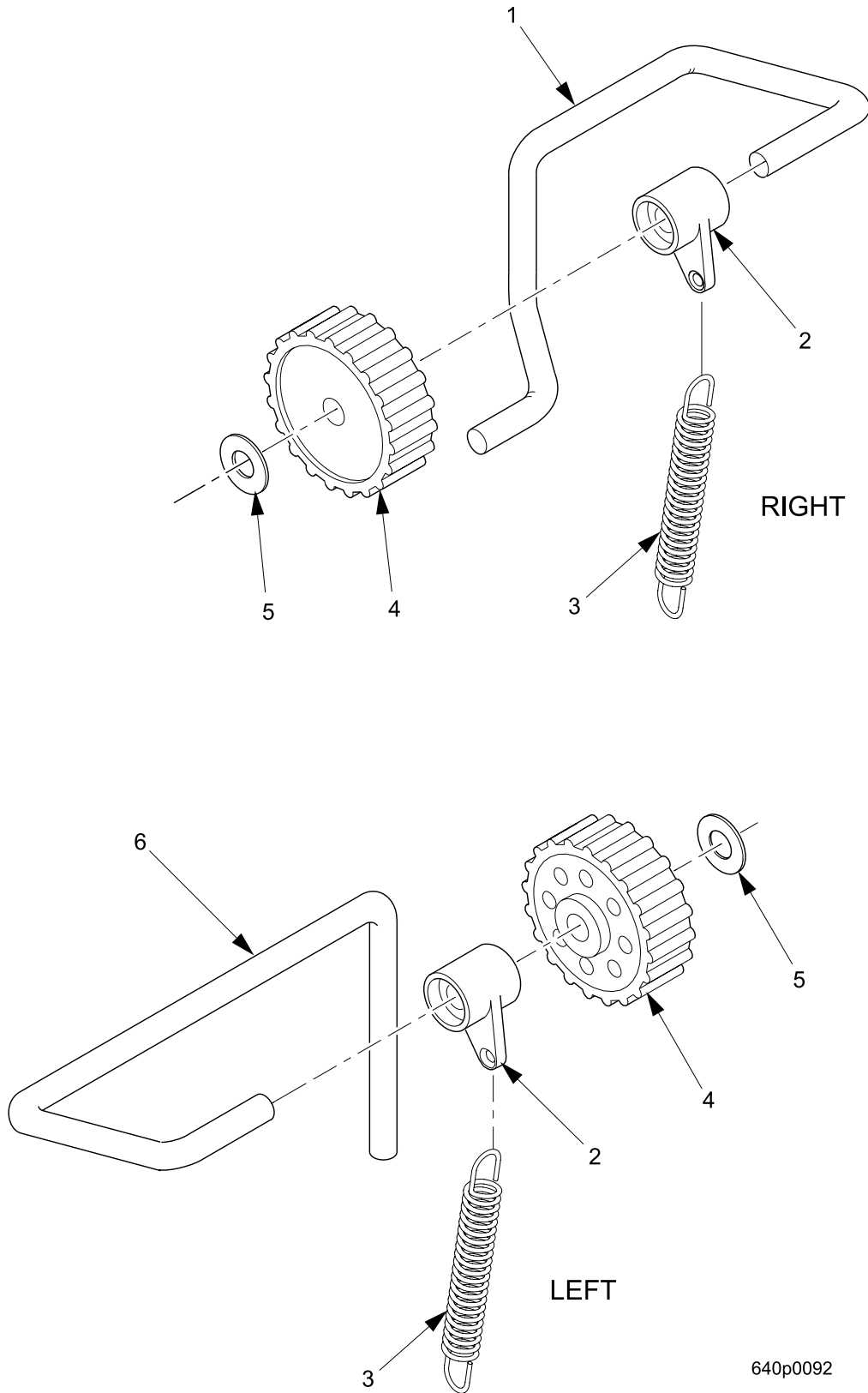


FIGURE 47 IDLE AXLE AND ROLLER ASSEMBLY

TABLE 47 IDLE AXLE AND ROLLER ASSEMBLY - RIGHT

INDEX	PART NUMBER	DESCRIPTION	QTY
--	6404108	IDLE AXLE AND ROLLER ASSEMBLY - RIGHT	--
1	6404096	AXLE - IDLER ROLLER - RIHGT	1
2	6404030	TOGGLE - SPRING	1
3	6404067	SPRING - EXTENSION	1
4	6404098	DRIVE/IDLER - PAPER DRIVE	1
5	6404027	RETAINER - GROOVLESS	1

TABLE 47A: IDLE AXLE AND ROLLER ASSEMBLY - LEFT

INDEX	PART NUMBER	DESCRIPTION	QTY
--	6404107	IDLE AXLE AND ROLLER ASSEMBLY - LEFT	--
2	6404030	TOGGLE - SPRING	1
3	6404067	SPRING - EXTENSION	1
4	6404098	DRIVE/IDLER - PAPER DRIVE	1
5	6404027	RETAINER - GROOVLESS	1
6	6404095	AXLE - IDLER ROLLER - LEFT	1
--	6404107	IDLE AXLE AND ROLLER ASSEMBLY - LEFT	--

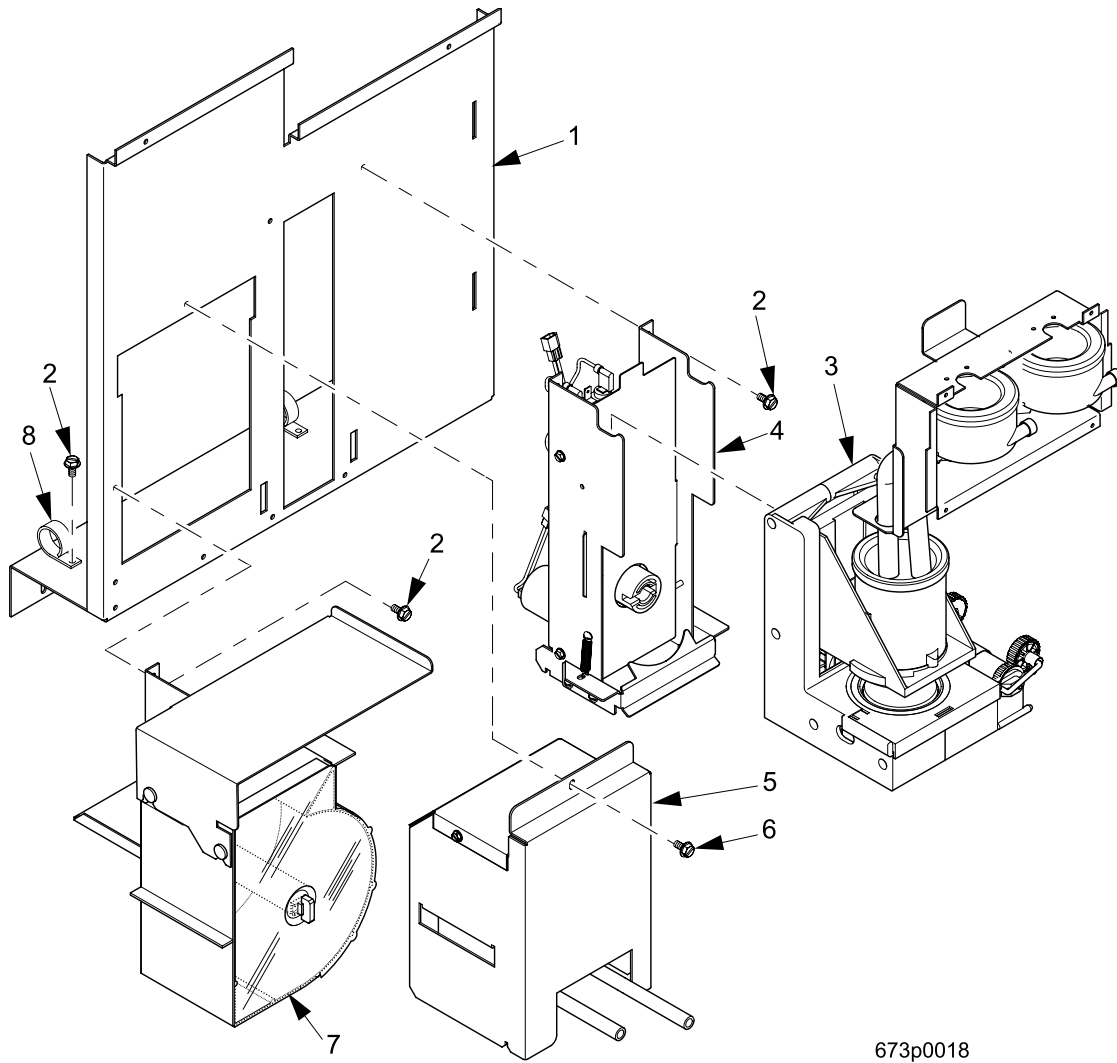


FIGURE 48 FILTER PAPER - PUMP/BREWER DRIVE (LOCATION)

TABLE 48 FILTER PAPER - PUMP/BREWER DRIVE (LOCATION)

INDEX	PART NUMBER	DESCRIPTION	QTY.
1	6734120	PANEL - BREWER MOTOR MOUNTING	1
2	1451097	SCREW - #8-32X.31 HEX HD.TF - BLK.	8
3	6734065	BREWER ASSEMBLY - WITH FILTER (SEE FIGURE 43)	1
4	6734024	BREWER DRIVE ASSEMBLY (SEE FIGURE 51)	1
5	6734122	PUMP ASSEMBLY - FINAL - 115V (SEE FIGURE 50)	1
6	3157060	SCREW - #8-32 X .31 HEX W/ HD. SLOTTED - T/F - ZINC PL	1
7	6404112	FILTER PAPER HOUSING ASSEMBLY (SEE FIGURE 49)	1
8	4305043	HARNESS CLIP - 1.00	2

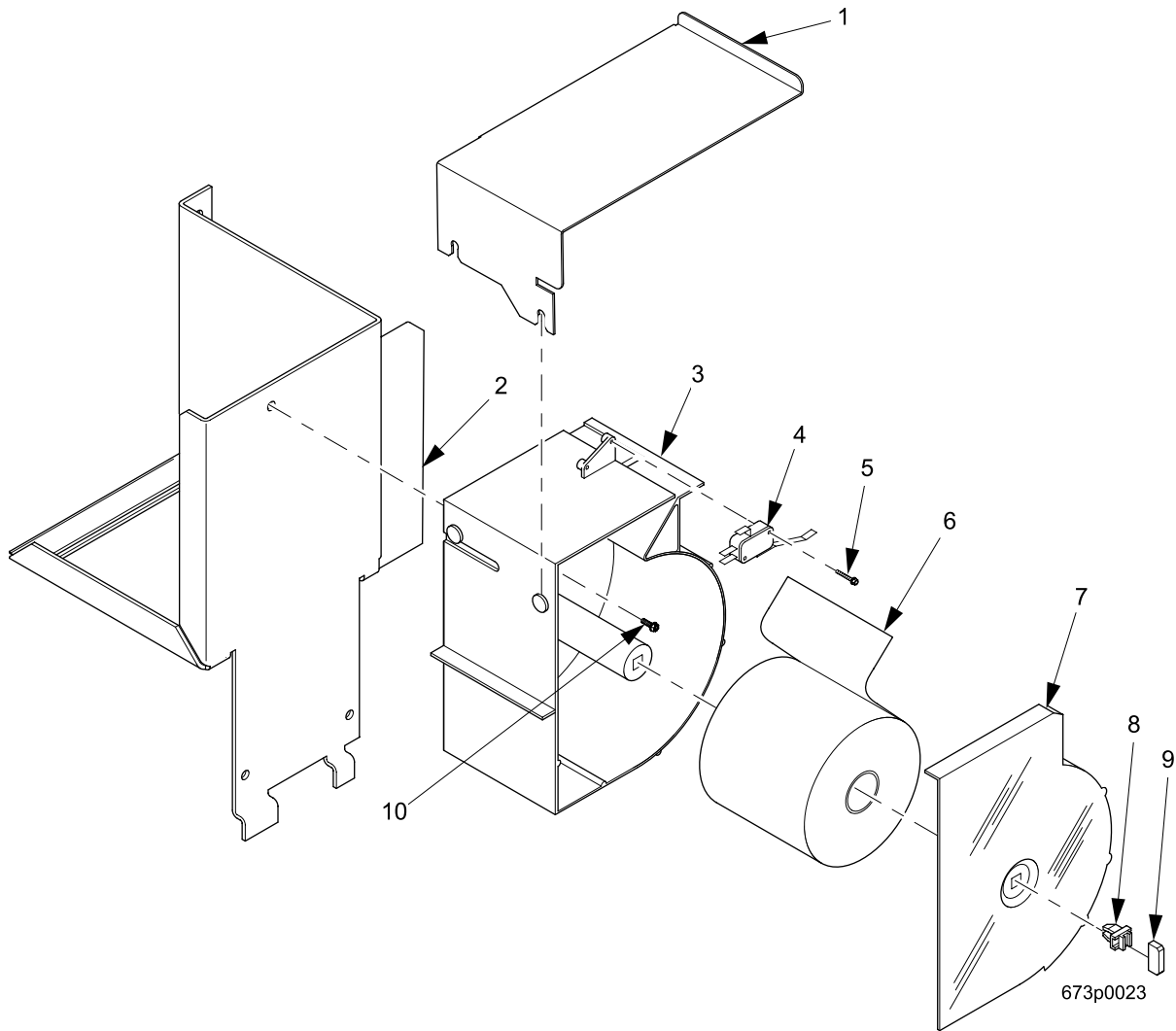


FIGURE 49 FILTER PAPER HOUSING

TABLE 49 FILTER PAPER HOUSING

INDEX	PART NUMBER	DESCRIPTION	QTY.
1	6734015	SHIELD - FILTER PAPER	1
2	6734005	PLATE - PAPER MOUNTING	1
3	6844001	HOUSING - FILTER PAPER	1
4	3118011	SWITCH V3L - 1260-D8	1
5	6238070	SCREW - #4-17X.62 HEX HD	2
6	6404043	PAPER - FILTER (27RLS/CS) GRADE318	1
7	6734126	COVER - PAPER HOUSING	1
8	6404060	LATCH - 1/4 TURN	1
9	6404061	HANDLE - 1/4 TURN	1
10	4741050	SCREW - #8-32 X .50 HX.HD. - T/F - BLACK	3

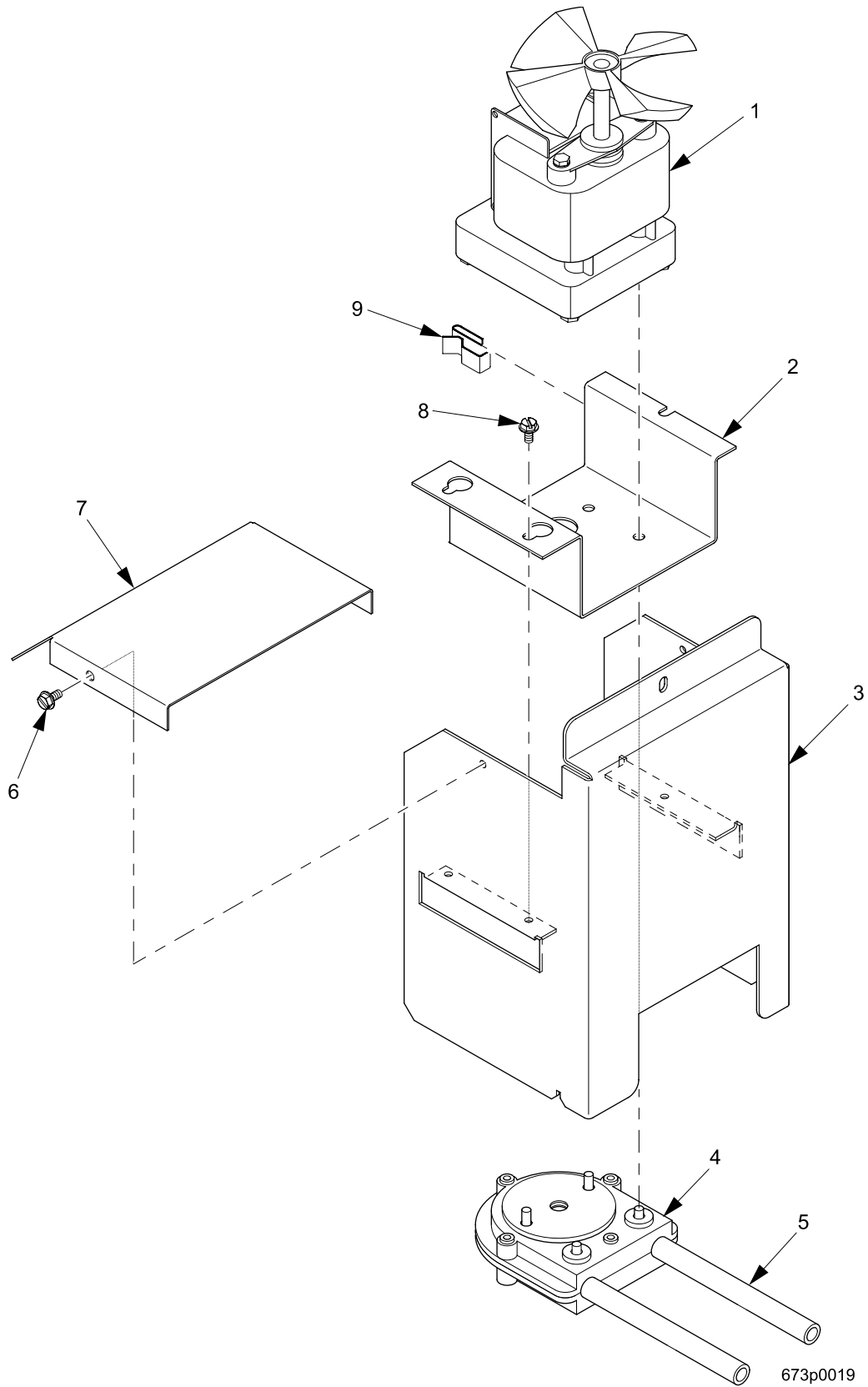
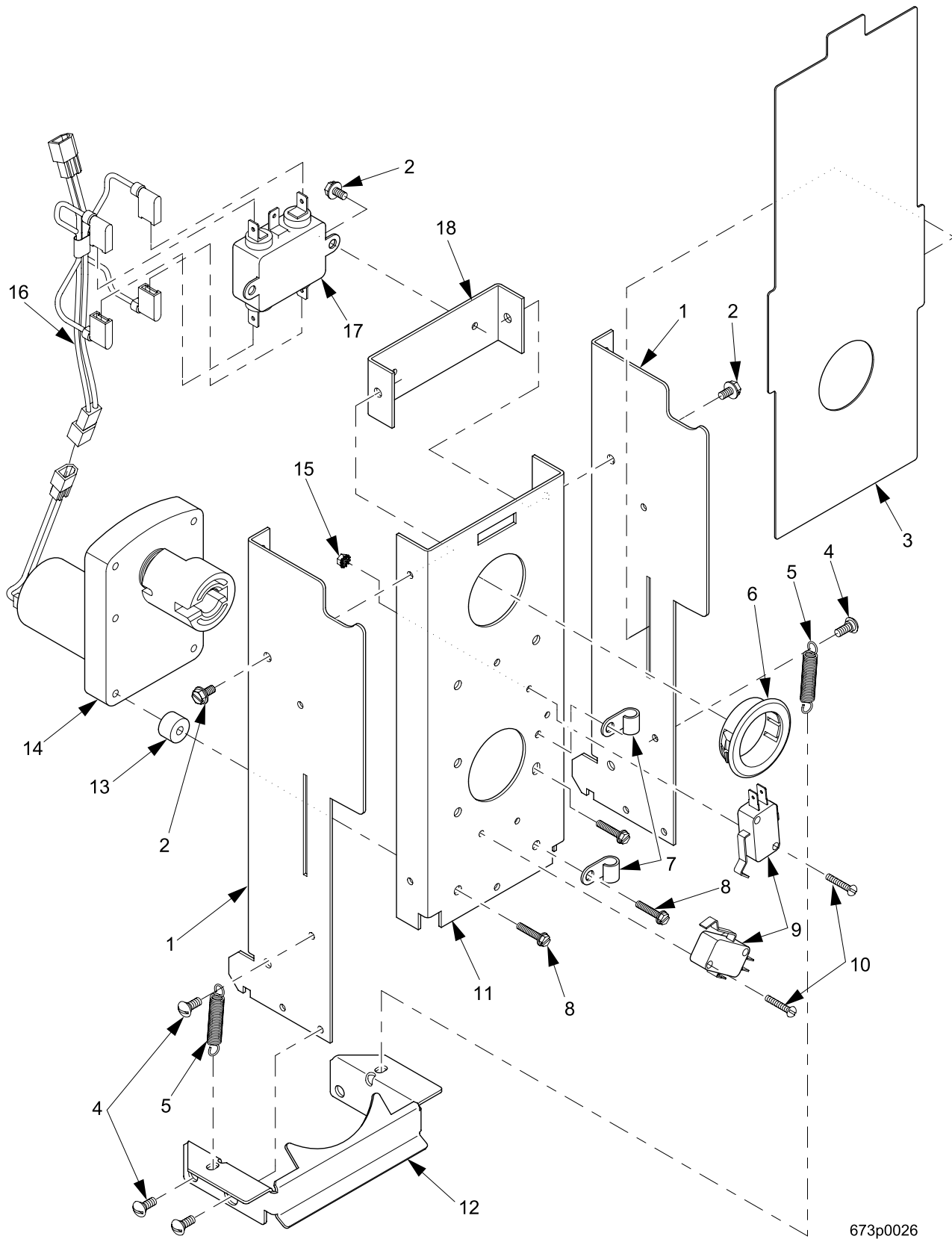


FIGURE 50 PUMP ASSEMBLY

TABLE 50: PUMP ASSEMBLY

INDEX	PART NUMBER	DESCRIPTION	QTY
1	6734097	MOTOR - BREWER PUMP - 115V	1
2	6844006	BRACKET - PUMP MOUNTING	1
3	6734121	BRACKET-MOUNTING-PUMP	--
4	6734072	PUMP ASSY - 115V	1
5	6804055	TUBING - 6404059 - 35.5"	1
6	1451097	SCREW - #8-32X.31 HEX HD.TF - BLACK	2
7	6734009	COVER - PUMP	1
8	3157060	SCREW - #8-32 X .31 HEX W/ HD. S	3
9	1212159	WIRE CLIP	1



673p0026

FIGURE 51 BREWER DRIVE ASSEMBLY

TABLE 51: BREWER DRIVE ASSEMBLY

INDEX	PART NUMBER	DESCRIPTION	QTY
1	6734006	PLATE - BREWER MOUNTING	2
2	1451097	SCREW - #8-32X.31 HEX HD.TF - BLACK	8
3	6734003	COVER - BREWER SWITCHES - LONG	1
4	4027053	SCREW - GATE STOP	6
5	6404067	SPRING - EXTENSION	2
6	6106021	BUSHING #SB1500 - 21	1
7	1211161	CABLE CLAMP - RICHCO#N4	2
8	1457027	SCREW - #8-32 X .81 HEX HD - T/F	4
9	6234279	SWITCH-BREWER	2
10	1217160	4-40X5/8 RHS M SCREW Z/Y	4
11	6734004	MOUNTING - BREWER DRIVE	1
12	6734011	LATCH - BREWER	1
13	4302134	SPACER - P.C. BOARD	4
14	6404009	MOTOR & CYCLE CAM ASSEMBLY	1
15	1217159	4 - 40 KEPS W/EXT L/WAS H ZP	4
16	6889000	HARNESS - BREWER MOTOR FILTER	1
17	9989100	INTERFERENCE FILTER	1
18	6881040	BRACKET - FILTER MOUNTING	1

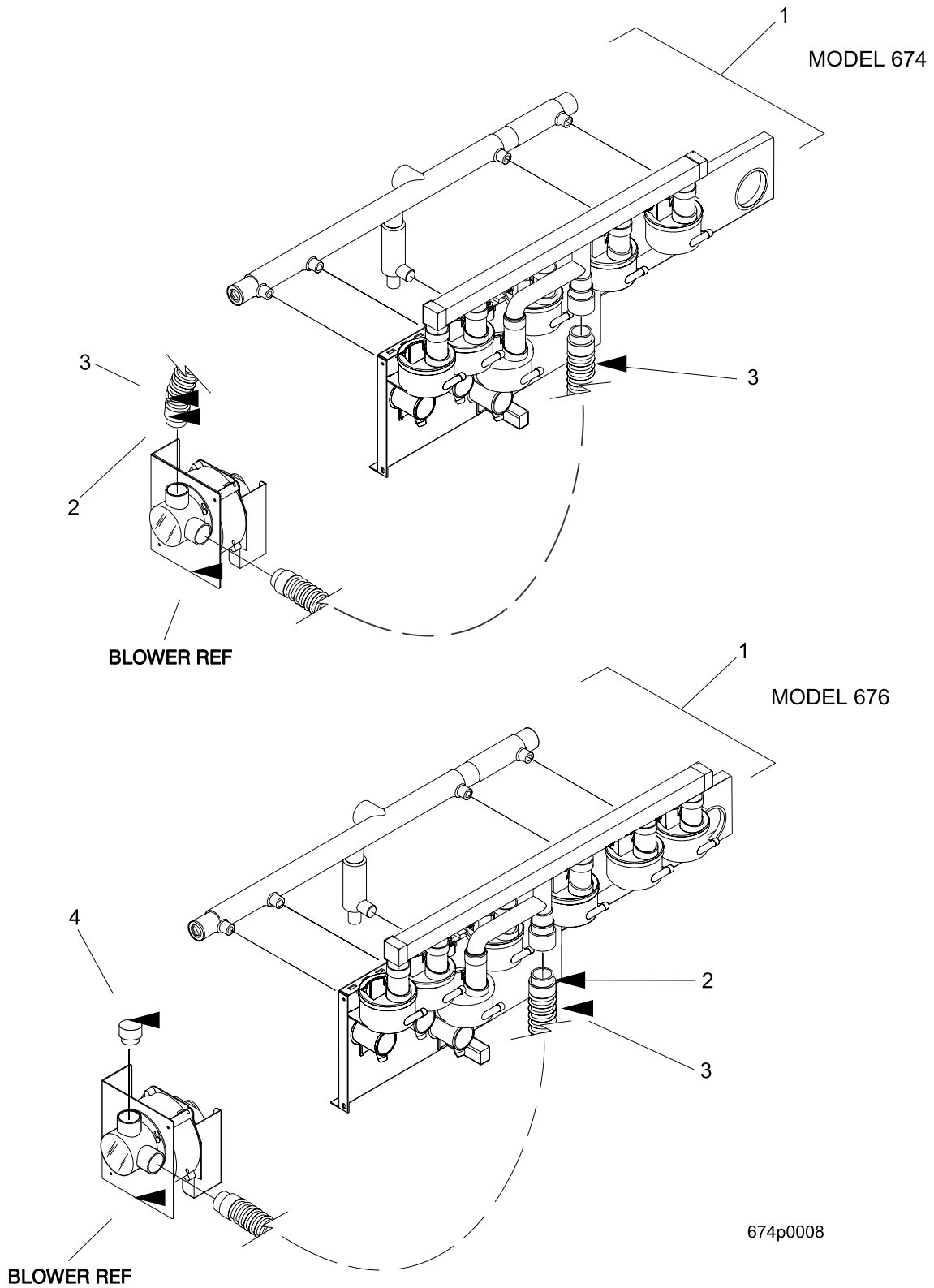
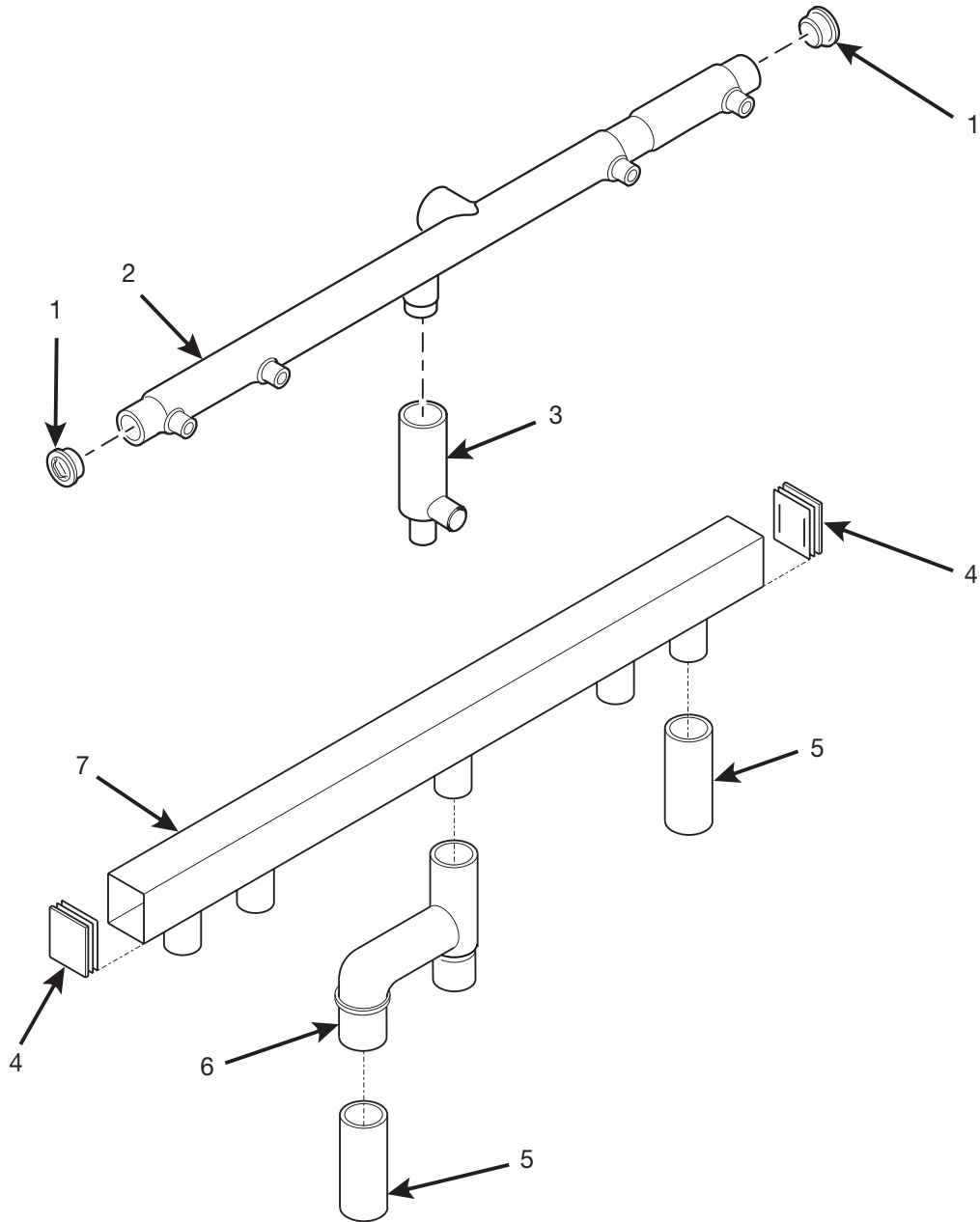


FIGURE 52 MIXING BOWL AND BREWER VENTILATION SYSTEM

TABLE 52 MIXING BOWL AND BREWER VENTILATION SYSTEM

INDEX	PART NUMBER	DESCRIPTION	QTY.
1	--	TUBING ASSEMBLY (SEE FIGURE 30A FOR DETAILS)	1
2	6137157	COUPLING - VENT HOSE	2
3	6237355	HOSE - EXHAUST	1
4	6237335	VINYL CAP - 1.000 I.D.X .50 LG.-	1



630p0056

FIGURE 53 VENT TUBING (MODEL 674 ONLY)

TABLE 53 VENT TUBING (MODEL 674 ONLY)

INDEX	PART NUMBER	DESCRIPTION	QTY.
1	6237335	CAP - VINYL - 1.00 I.D. X .50 LG	2
2	6267301	VENT SHELF - FREEZE DRIED	1
3	6247008	VENT - SHELF - DUAL FRESH BREW	1
4	6337082	CAP - MANIFOLD	2
5	6337049	TUBE - EXTENSION - SILICONE	5
6	6337044	VENT - SUGAR/LIGHTENER ADAPTER	1
7	6367003	VENT - FREEZE DRIED - 636	1

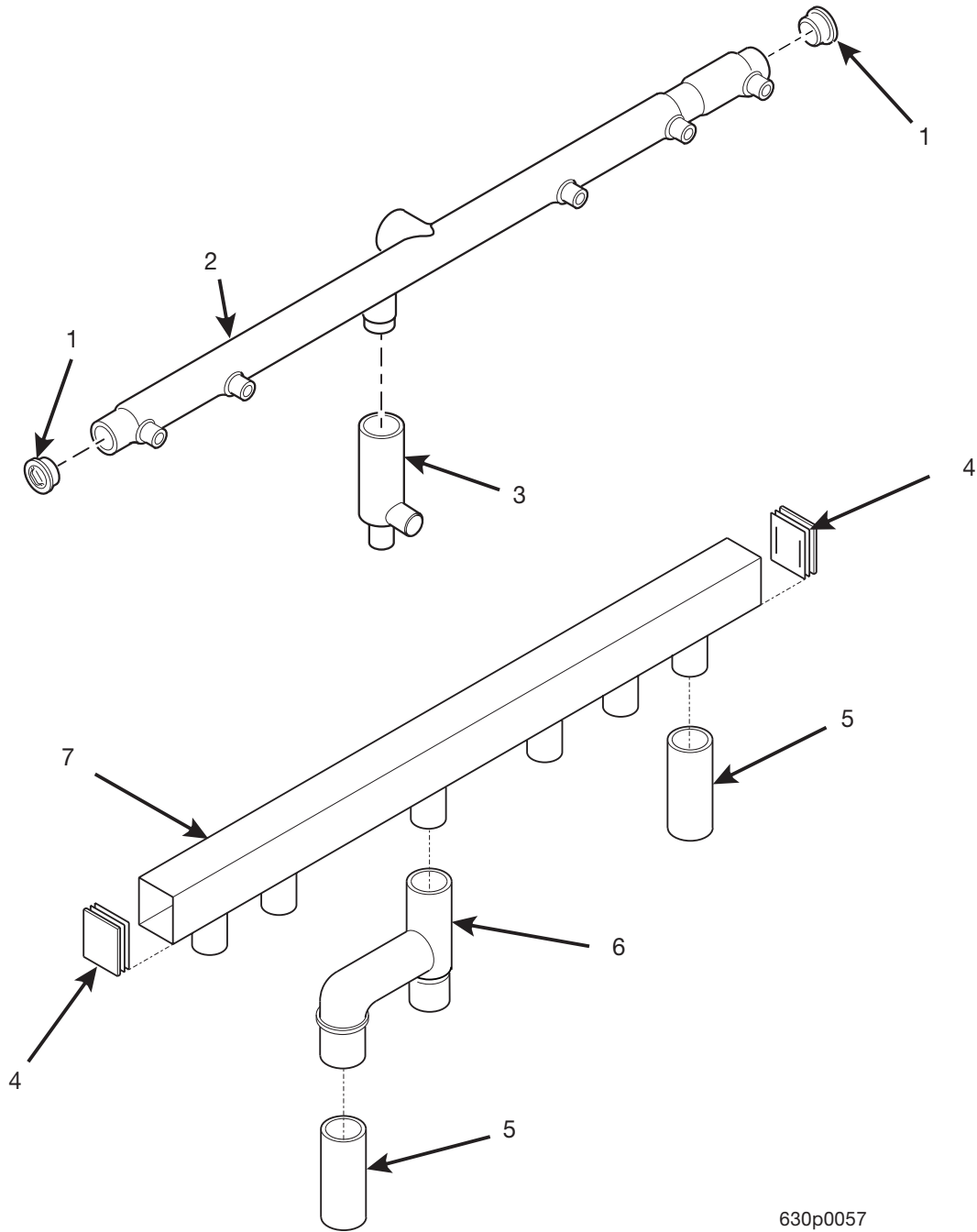


FIGURE 54 VENT TUBING (MODEL 676 ONLY)

TABLE 54 VENT TUBING (MODEL 676 ONLY)

INDEX	PART NUMBER	DESCRIPTION	QTY.
1	6237335	CAP - VINYL - 1.00 I.D. X .50 LG	2
2	6267301	VENT SHELF - FREEZE DRIED.	1
3	6247008	VENT - SHELF - DUAL FRESH BREW	1
4	6337082	CAP - MANIFOLD	2
5	6337049	TUBE - EXTENSION - SILICONE	6
6	6337044	VENT - SUGAR/LIGHTENER ADAPTER	1
7	6367003	VENT - FREEZE DRIED	1

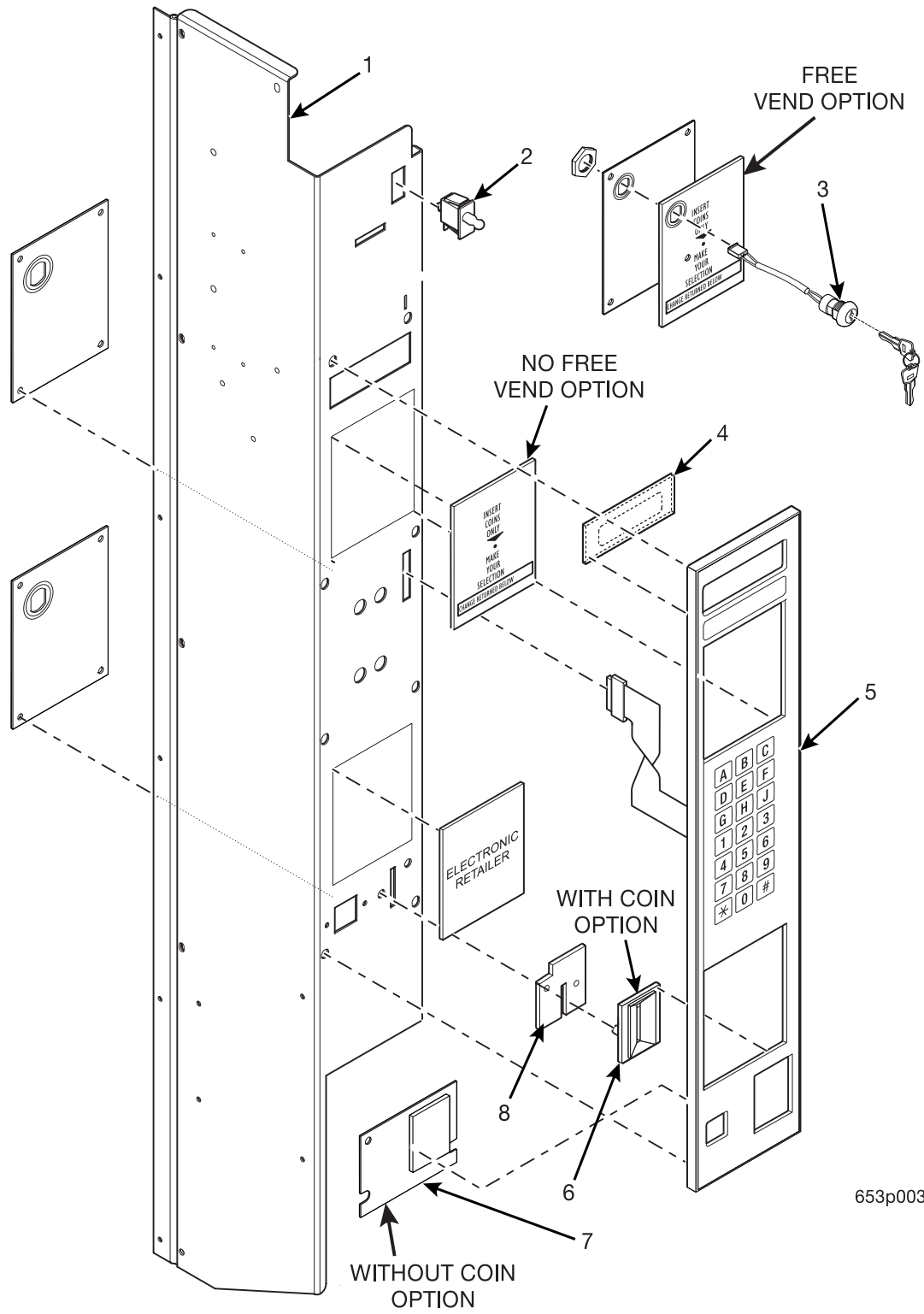


FIGURE 55 MONETARY PANEL (PART 1 OF 3)

TABLE 55 MONETARY PANEL (PART 1 OF 3)

INDEX	PART NUMBER	DESCRIPTION	QTY
1	1575094	MONETARY PANEL WELD ASSEMBLY - NV BLACK	1
2	1401110	SWITCH	1
3	9989639	SWITCH ASSEMBLY - FREE VEND	1
4	1595014	LENS - DISPLAY - GPL	1
5	6525001	FACEPLATE ASSEMBLY - 24 SEL-GPL	1
6	1472223	COIN INSERT (WITH COIN OPTION)	1
7	--	LOWER MONETARY POSITION	--
8	1641041	COIN BLOCK	1
SOME OF THE FOLLOWING ITEMS ARE INCLUDED WITH THE APPROPRIATE FREE VEND OPTIONS (NOT SHOWN):			
	6362014	INSERT - SEL. INSTRUCTIONS - FREE VEND	
	2342315	CLIP - WIRE HARNESS	
	9989639	SWITCH ASSEMBLY - FREE VEND	

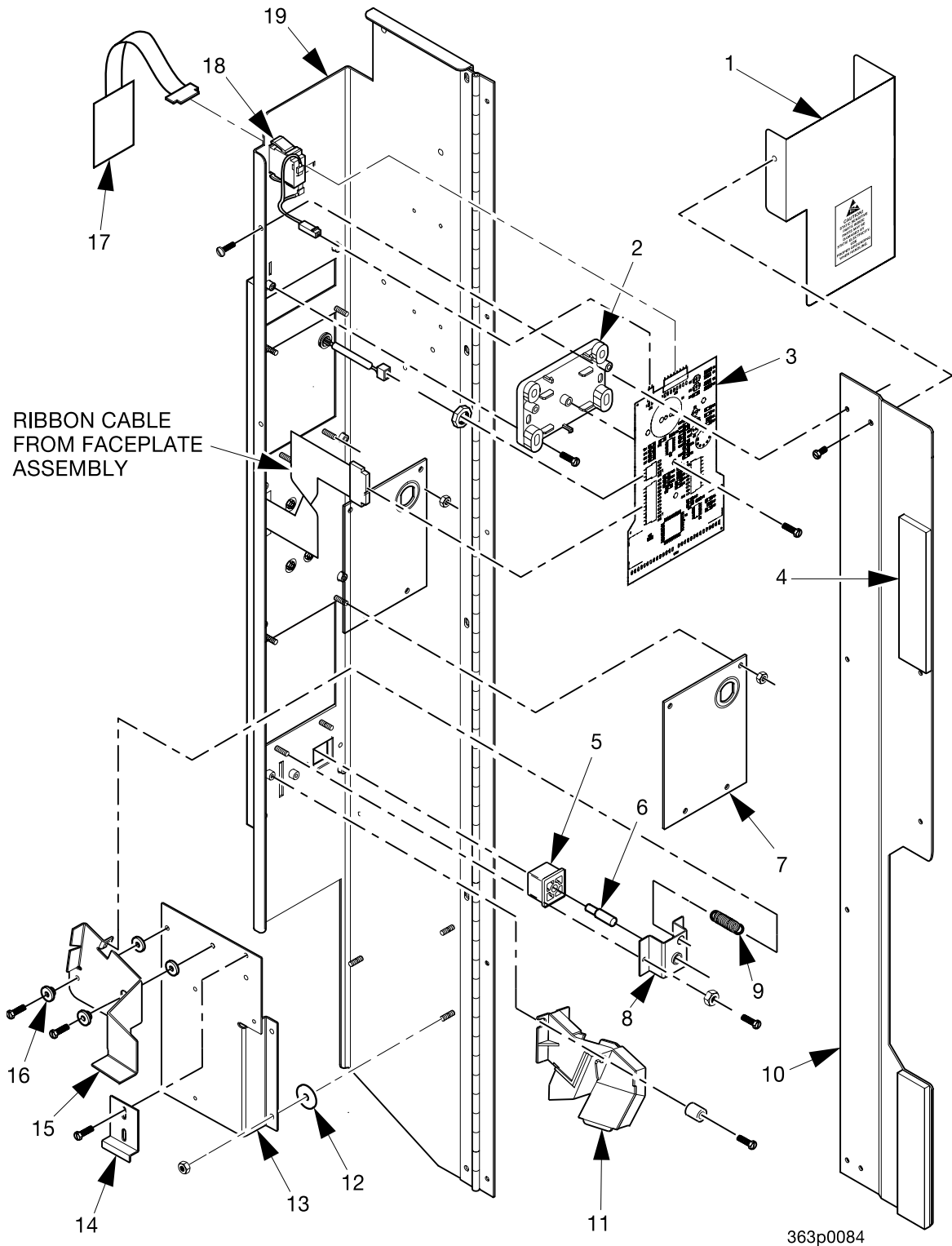


FIGURE 56 MONETARY PANEL (PART 2 OF 3)

TABLE 56 MONETARY PANEL (PART 2 OF 3)

INDEX	PART NUMBER	DESCRIPTION	QTY.
1	1575029	COVER - DISPLAY	1
--	9989823	DISPLAY WITH BRACKET ASSEMBLY (INCLUDES ITEMS 2 & 3)	--
2	1475099	BRACKET - PCB - DISPLAY	1
3	9989685	PCB ASSEMBLY - DISPLAY	1
4	3122056	MAGNET RETAINER COIN CHANGER	1
5	1475026	BUTTON - COIN RETURN	1
6	1475072	SHAFT - RETURN BUTTON	1
7	--	UPPER OR LOWER MONETARY POSITION (SEE FIGURE 58A FOR DETAILS)	--
8	1571079	BRACKET - COIN RETURN BUTTON	1
9	1127808	SPRING SHELF RESET	1
10	1575057	PLATE - MAGNET MOUNTING	1
11	1575003	COIN CHUTE ASSEMBLY	OPT.
12	9900067	WASHER STEEL 7/16 X.203 X.062	2
13	1571081	BRACKET ASSEMBLY - COIN MECHANISM	OPT.
14	6231037	CLAMP - CABLE	1
15	1571113	ARM - SCAVENGER	1
16	2204093	WASHER - SCAVENGER BAR	1
17	6335002	SERVICE KEYPAD ASSEMBLY	1
18	1401110	SWITCH	1
19	1575094	PANEL WELD ASSEMBLY - MONETARY	1

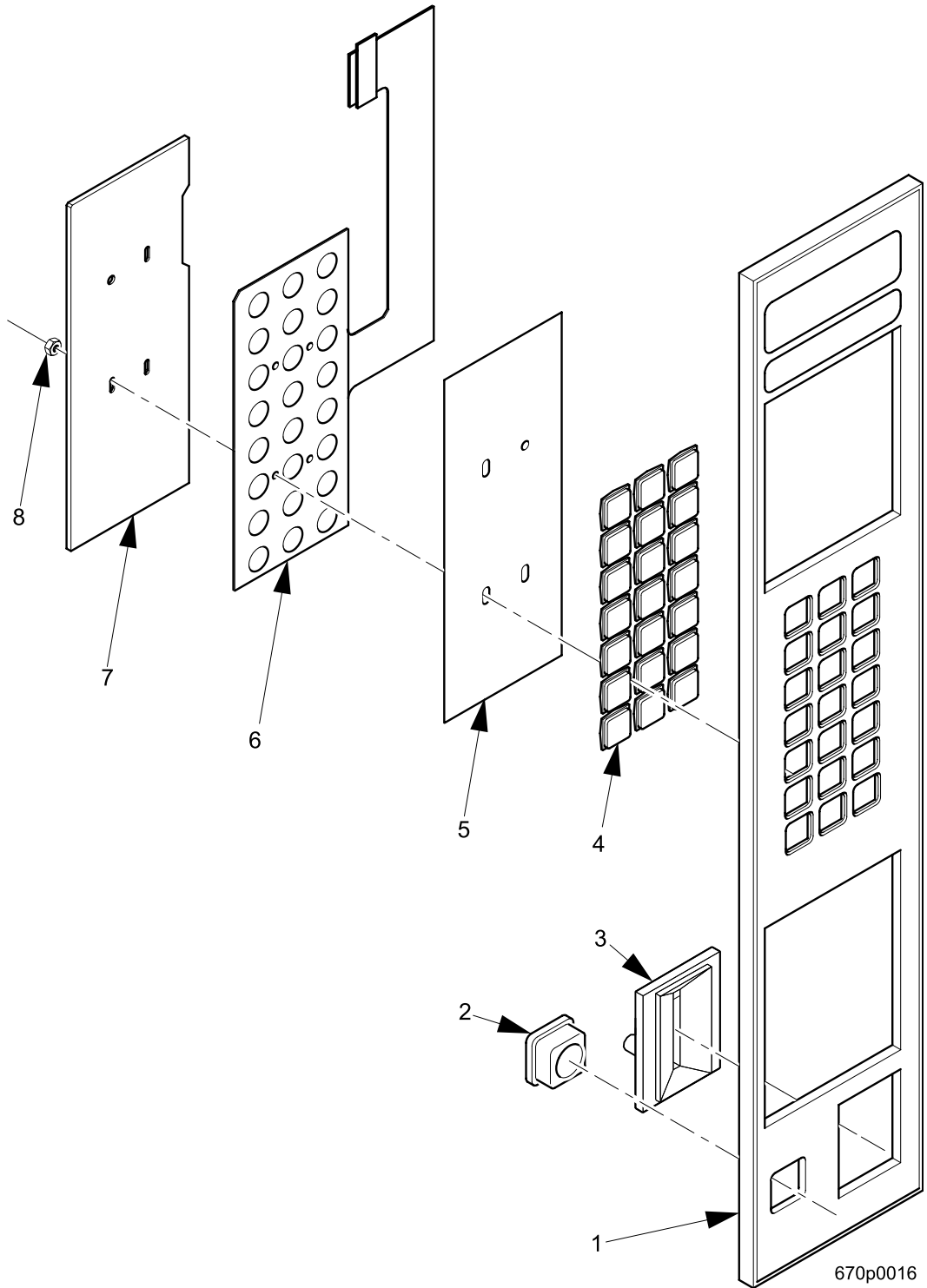
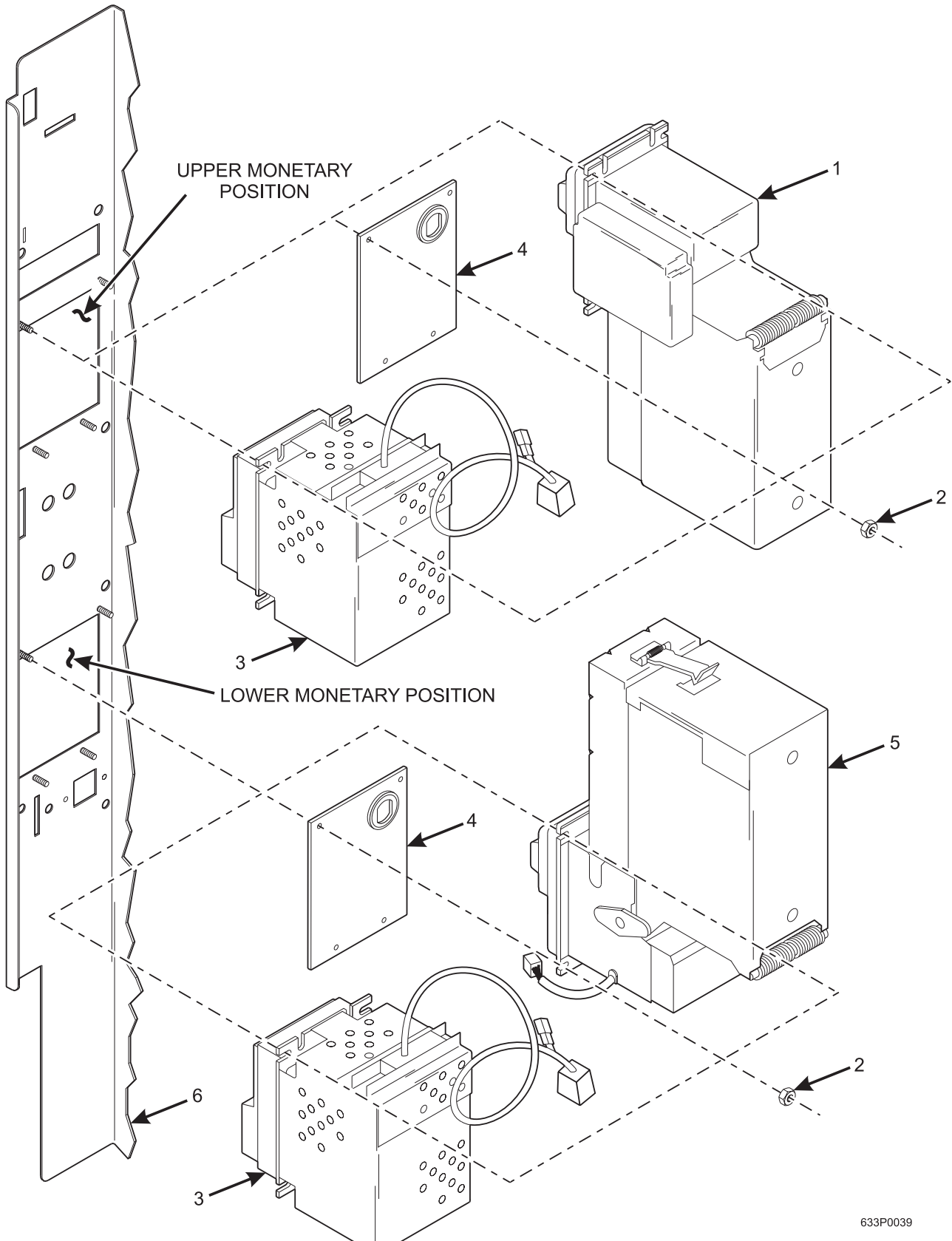


FIGURE 57 MONETARY PANEL (PART 3 OF 3)

TABLE 57 MONETARY PANEL (PART 3 OF 3)

INDEX	PART NUMBER	DESCRIPTION	QTY.
--	6525001	FACEPLATE ASSEMBLY - 24 SELECTION - GPL	--
--	1595013	FRAME - MONETARY PANEL - GPL (NOT SHOWN)	1
1	6525000	SELECTION PANEL - MONETARY - GPL	1
2	1475026	BUTTON - COIN RETURN	1
3	1472223	COIN INSERT	1
4	1472251	LENS - PUSH BUTTON	24
5	1575058	LETTER SHEET - SELECT SWITCH	1
6	7215019	MEMBRANE SWITCH ASSEMBLY - SELECT	1
7	1575091	PLATE - SELECT SWITCH - BACK UP - W/STUD	1
8	1475089	1/8" NUT - SELF-THREADING	4



633P0039

FIGURE 58 CARD READER AND BILL VALIDATOR OPTIONS

TABLE 58 CARD READER AND BILL VALIDATOR OPTIONS

INDEX	DESCRIPTION	QTY
1	DOWNSTACK BILL VALIDATOR	OPT
2	NUT	8
3	DEBIT CARD READER	OPT
4	INSTRUCTION INSERT BACKING PLATE	0 1 2*
5	UPSTACK BILL VALIDATOR	OPT
6	MONETARY PANEL WELD ASSEMBLY	REF.

*QUANTITY VARIES WITH MONETARY CAPABILITY

TABLE 58A MONETARY LOCATION OPTIONS

MONETARY CAPABILITY	UPPER	LOWER	WITH COIN?
COIN - VAL -CARD	CARD READER	UPSTACK VALIDATOR	YES
COIN - VAL -CARD	DOWNSTACK VALIDATOR	CARD READER	YES
COIN - VAL	INSERT INSTRUCTIONS BACK-UP PLATE (1575048)	UPSTACK VALIDATOR	YES
COIN - VAL	DOWNSTACK VALIDATOR	INSERT INSTRUCTIONS BACK-UP PLATE (1575048)	YES
COIN - CARD	INSERT INSTRUCTIONS BACK-UP PLATE (1575048)	CARD READER	YES
COIN - CARD	CARD READER	INSERT INSTRUCTIONS BACK-UP PLATE (1575048)	YES
VAL- CARD	DOWNSTACK VALIDATOR	CARD READER	NO
VAL- CARD	CARD READER	DOWNSTACK VALIDATOR	NO
COIN ONLY	INSERT INSTRUCTIONS BACK-UP PLATE (1575048)	INSERT INSTRUCTIONS BACK-UP PLATE (1575048)	YES
VAL ONLY	INSERT INSTRUCTIONS BACK-UP PLATE (1575048)	UPSTACK VALIDATOR	NO
VAL ONLY	DOWNSTACK VALIDATOR	INSERT INSTRUCTIONS BACK-UP PLATE (1575048)	NO
CARD ONLY	CARD READER	INSERT INSTRUCTIONS BACK-UP PLATE (1575048)	NO
CARD ONLY	INSERT INSTRUCTIONS BACK-UP PLATE (1575048)	CARD READER	NO

**Note: ALL ITEMS ARE SECURED WITH FOUR NUTS (P/N 9900081).
SHADED ITEMS REPRESENT ALTERNATE CONFIGURATIONS.**

TABLE 58B COIN MECH OPTIONS - "DUMB"

PART NUMBER	DESCRIPTION
6400003	COINCO - 9302 LF - 24 V - W/15 PIN PLUG
5900279	CONLUX CCM5G-4
5900116	MARS - TRC 6000
5900112	MARS - MC5000
6400002	MARS - TRC 6010 XV - 24V - W/15 PIN PLUG
5900216	MARS - VN4000, 110V US 5,10,25,\$1
5900276	MARS - VN4510 - 5/10/25/25 KB

TABLE 58C COIN MECH OPTIONS - "MDB"

PART NUMBER	DESCRIPTION
5900244	COINCO - USD - G701 "MDB"
5900269	COINCO USQ - G701 - MDB-4 TUBE KB
5900270	COINCO USQ - G702 MDB-4 TUBE
5900213	COINCO - 9302GX MDB KB
5900243	MARS - TRC6512 "MDB"
5900289	MARS VN4510 MDB - DBL DIME
5900214	MEI - VN4510 - 5/10/25/ \$1MDB, 6/BOX, KANBAN
5900209	CONLUX - USLZ - 001 "MDB"

TABLE 58D BILL VALIDATOR OPTIONS - "SERIAL"

PART NUMBER	DESCRIPTION	HARNESS P/N
5900284	VALIDATOR - COINCO - MAGPRO - 30SA	1579028
5900285	VALIDATOR - COINCO - MAGPRO - 32SA KB	1579032
5900267	VALIDATOR - CONLUX NBM3140MDB-400	1579050
5900283	VALIDATOR - MAGPRO - 32R KB	--
5900284	VALIDATOR - MAGPRO - 30SA KB	1679053
5900248	VALIDATOR - MARS AE2611 - U5E	1579028
5900193	VALIDATOR - MARS S2000 - VN2511 - U5E	1579028
5900205	VALIDATOR - MARS - VN 2512 - U5E 24V	1579032 9989718
5900221	VALIDATOR - COINCO - BA 32 SA - 24V	1579032 9989718

TABLE 58E BILL VALIDATOR OPTIONS - "PULSE"

PART NUMBER	DESCRIPTION	HARNESS P/N
1475053	MAKA VALIDATOR - MASK K (NB - 1KB - 400)	--
5900198	VALIDATOR - MARS - S2000 - VN2311 - U5E - 110V	1679052

TABLE 58F BILL VALIDATOR OPTIONS - "MDB"

PART NUMBER	DESCRIPTION	HARNESS P/N
5900284	VALIDATOR - COINCO - MAGPRO - 30SA	1579034
5900210	VALIDATOR - MARS - VN 2512 - U5M/500	--
5900247	VALIDATOR - AE2612 - U5M "MDB"	--

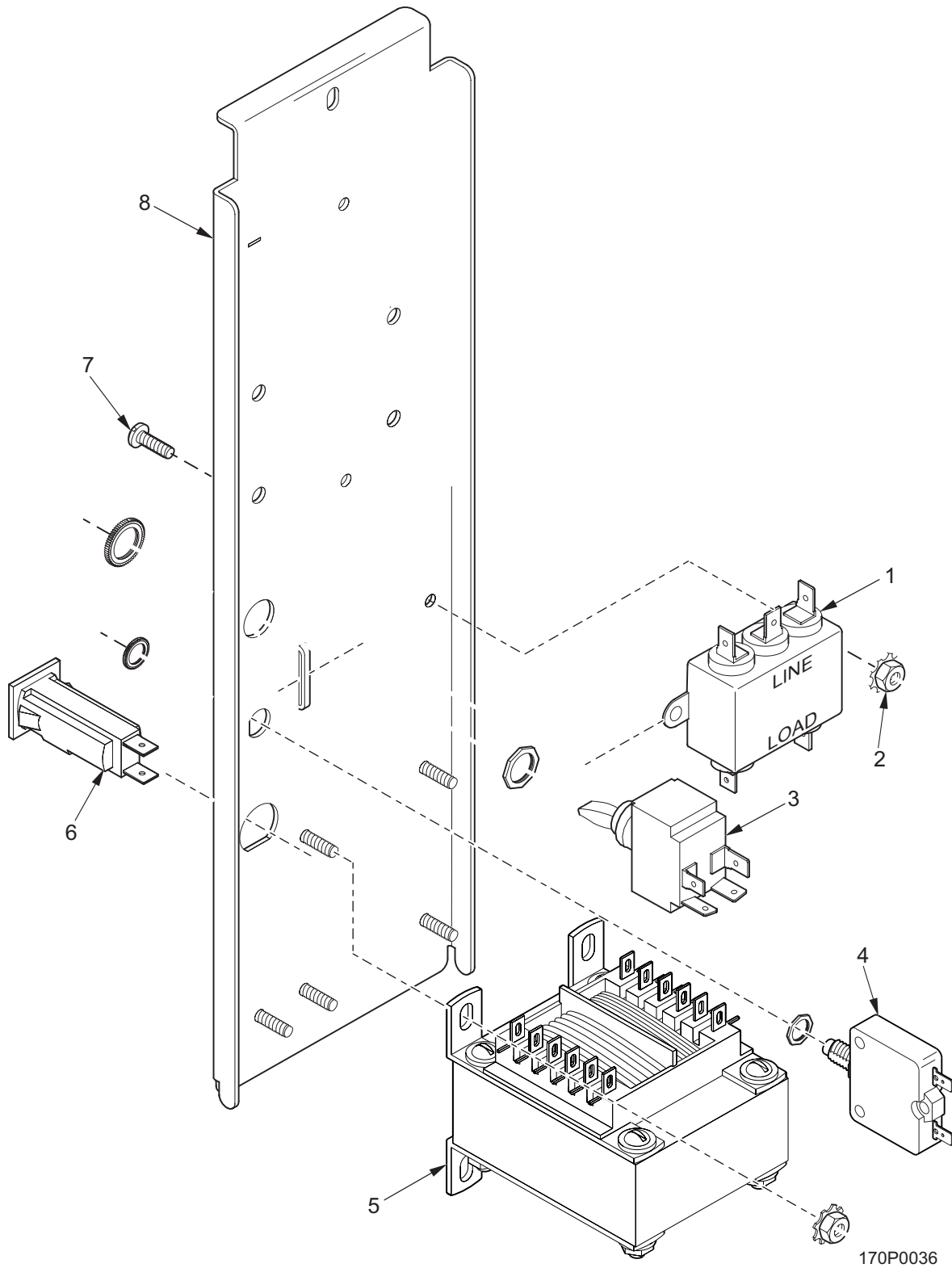
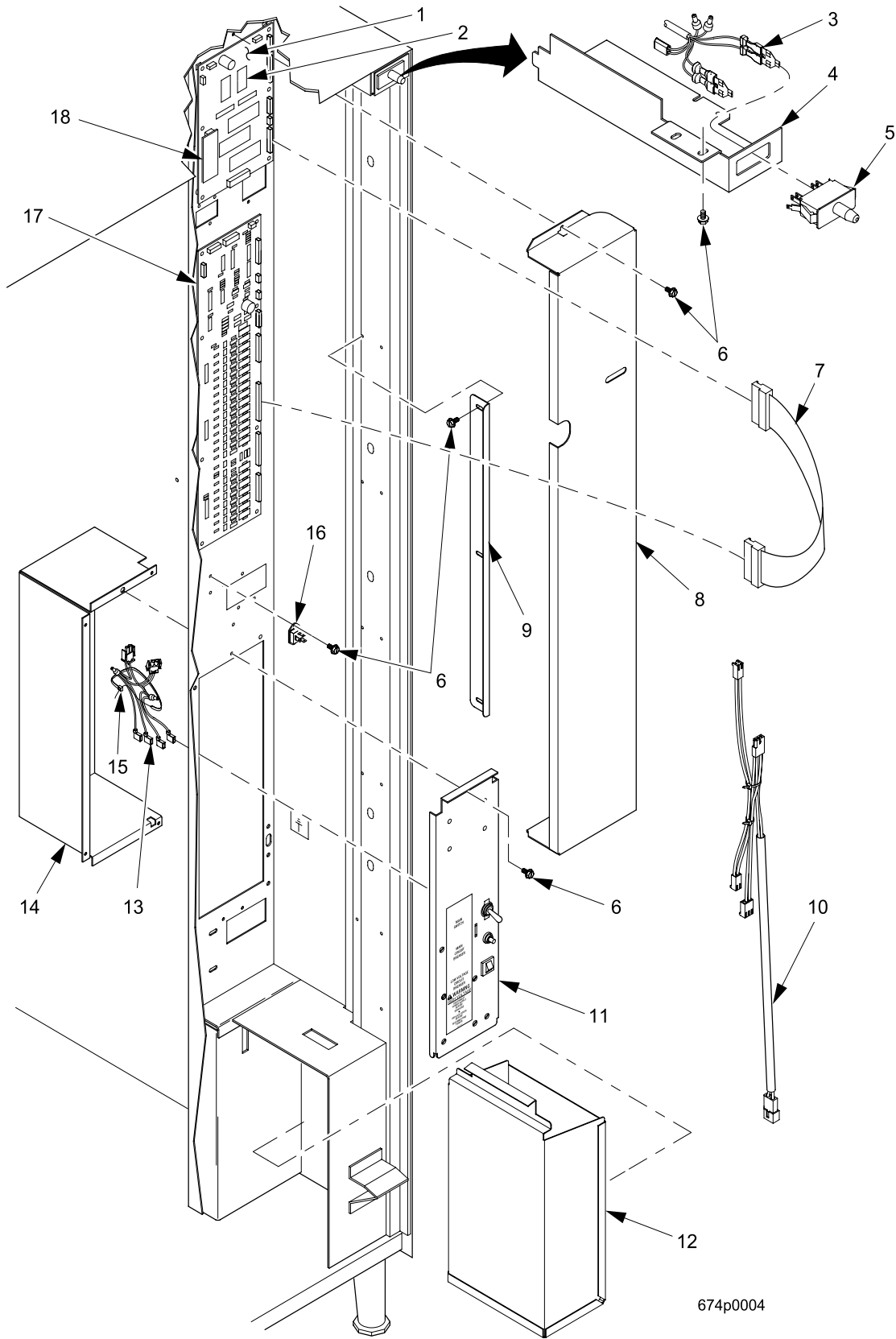


FIGURE 59: POWER PANEL ASSEMBLY

TABLE 59 POWER PANEL ASSEMBLY

INDEX	PART NUMBER	DESCRIPTION	QTY
--	1701015	POWER PANEL ASSEMBLY - DOMESTIC	--
1	9989100	INTERFERENCE FILTER	1
2	9900081	NUT - #8-32 KEPS ZINC PLATE	6
3	9984629	SWITCH - TOGGLE - DPST - 20 AMP	1
4	9989672	BREAKER - 15 AMP	1
5	9989046	24 V TRANSFORMER - DUAL PRI. - .187 TERM	1
6	9989674	CIRCUIT BREAKER - 4 AMP	1
7	1211110	8-32 X 1/4 RHS MACH SCREW - Z.P.	6
8	1701025	PLATE - HOUSING - PANEL	1



674p0004

FIGURE 60 MONETARY CHANNEL

TABLE 60 MONETARY CHANNEL

INDEX	PART NUMBER	DESCRIPTION	QTY.
1	6746000	MAIN CONTROLLER PCB WITH EPROM (INCLUDES THE NEXT THREE ITEMS)	--
2	9980332	IC-1 MBIT FLASH MEMORY-AMD	1
3	1579010	JUMPER - INTERLOCK - DOMESTIC	1
4	1571021	BRACKET - SWITCH INTERLOCK	1
5	1211141	SWITCH - 115V	2
6	1451097	SCREW - #8-32X.31 HEX HD.TF - BLACK	46
7	1599200	HARNESS - CONTROL TO DISPLAY	1
8	1571112	COVER - CONT./INTERFACE PCB	1
9	1571022	STOP - MONETARY PANEL	1
10	9989750	HARNESS - 24VAC PCB & COIN POWER	1
11	1701015	POWER PANEL ASSEMBLY - DOMESTIC	1
12	1571029	MONEY BOX ASSEMBLY	1
13	1679055	HARNESS - POWER PANEL	1
14	1671022	HOUSING - POWER PANEL	1
15	3114114	WIRE TIE RICHCO#BT-10-10-BL	1
16	9983778	TRIAC - 35A-600V	1
17	6736001	PCB ASSEMBLY - HOT DRINK INTERFACE	1
18	6746001	IC ASSEMBLY - VERSION 674.07	

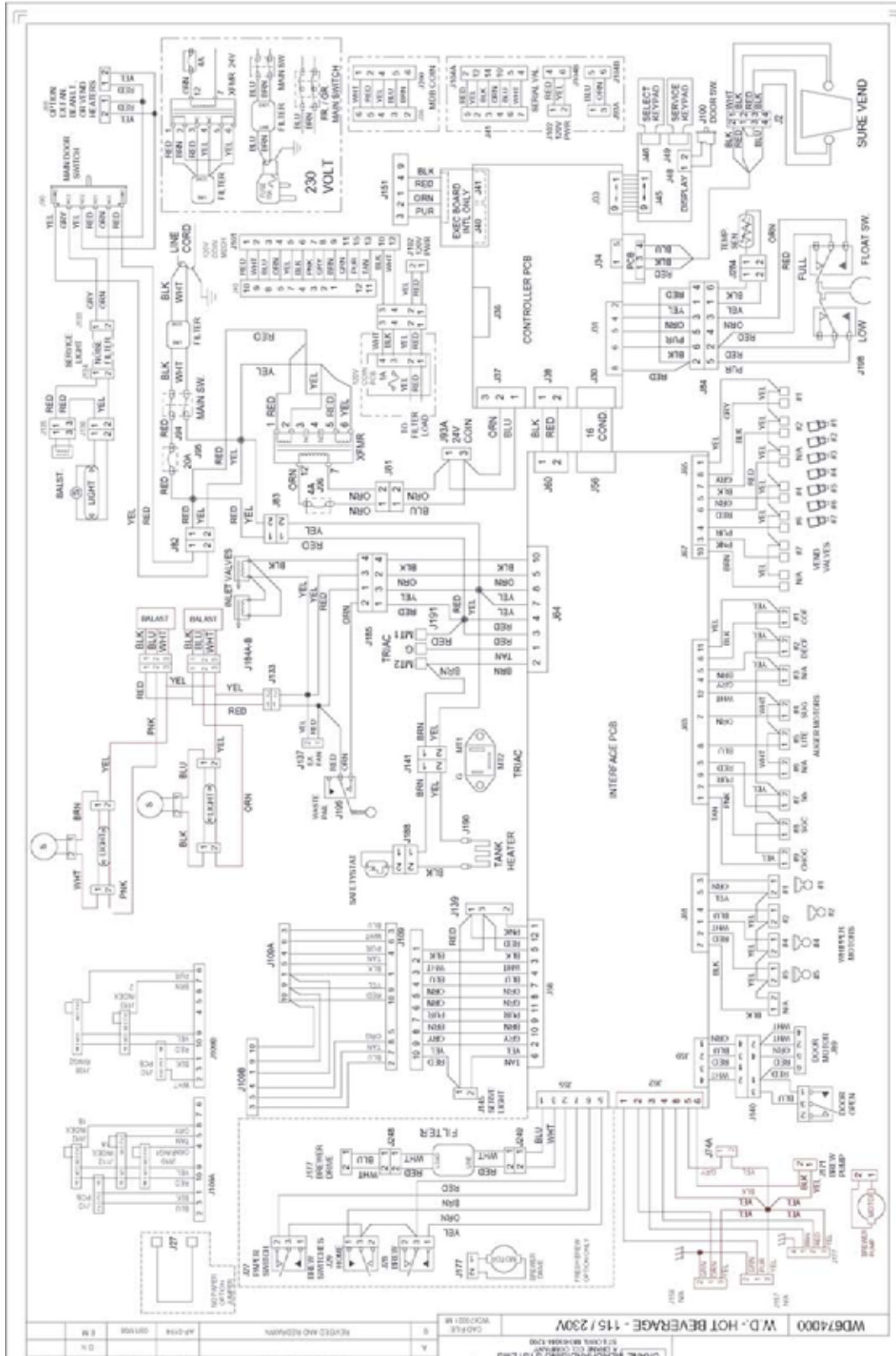


FIGURE 61 WIRING DIAGRAM - 115 V

Part Number.....	Page	Part Number.....	Page	Part Number	Page
1127808	113	1571081	113	1602028	7
1170206	33, 83	1571098	37	1602030	7, 9
1172021	39, 47	1571112	123	1602035	7
1211105	35, 37	1571113	113	1602041	7
1211110	121	1571115	39	1602071	7, 9
1211112	39	1572010	19	1602072	7
1211141	123	1572011	19	1602080	7, 9
1211161	103	1572026	15	1641041	111
1212159	101	1572031	15	1671022	29, 123
1217159	27, 103	1572060	9	1671090	29
1217160	27, 43, 103	1572242	87, 89	1672080	19
1300018	13	1572276	7	1679005	33
1302289	17	1572279	7	1679052	119
1302290	17	1575003	113	1679053	119
1302291	17	1575029	113	1679055	123
1302324	17	1575048	117	1701015	29, 121, 123
1302326	17	1575057	113	1701025	121
1401110	111, 113	1575058	115	2204093	113
1411194	41	1575091	115	2204513	45
1411195	41	1575094	111, 113	2222031	11, 27
1437204	45	1575106	5, 7	2222096	33
1451097	13, 23, 35, 45, 47, 51, 53, 55, 59, 61, 83, 97, 101, 103, 123	1577008	89	2222110	9, 11
1452139	33, 47	1577038	23, 27	2271408	41
1457027	27, 103	1579010	123	2272036	33
1471054	29	1579028	119	2272052	17
1471098	39	1579032	119	2301057	23
1471237	39	1579034	119	2302053	19
1472178	15	1579050	119	2302223	59
1472223	111, 115	1581023	41	2342315	27, 111
1472250	15	1582111	7	2346016	33
1472251	115	1592031	7, 9	3102447	61
1475026	113, 115	1592032	7, 9	3103133	81
1475053	119	1592035	7	3106154	33
1475072	113	1592036	7	3107171	33
1475089	115	1592044	7	3108048	57
1475099	113	1592045	7	3108141	27
1475119	61	1592056	15	3112163	17
1477020	27	1592068	7, 9	3112164	17
1477113	27	1592069	7, 9	3114114	123
1479063	23	1592096	7	3116127	43
1482003	7	1592097	7	3118011	99
1571021	123	1595013	115	3121150	43
1571022	123	1595014	111	3122056	113
1571029	123	1599200	123	3142138	35
1571079	113	1602004	7, 9	3143009	25
		1602016	7, 9	3151058	33

Part Number	Page	Part Number	Page	Part Number	Page
3152045	5, 7	5900248	119	6231432	81
3154059	51, 53, 55, 57	5900267	119	6231438	81
3157060	33, 97, 101	5900269	118	6231439	81
3158023	53	5900270	118	6231443	81
3158061	51, 53, 55, 57	5900276	118	6231488	81
3281084	81	5900279	118	6231489	81
3281085	83	5900283	119	6231492	81
3283058	23	5900284	119	6231495	81
3502097	45	5900285	119	6231501	57
3618123	61	5900289	118	6231503	57
4027053	103	6104220	93	6231507	43
4041102	83	6106021	103	6231533	59
4041241	23	6114121	25	6231550	45
4047012	87, 89, 93	6117010	83	6231553	45
4047054	43	6118071	53	6231559	33
4047061	93	6124073	49	6232028	35, 37
4242145	35	6131066	23	6232031	35
4245082	19	6133157	93	6232034	37
4245083	19	6134042	87, 89, 93	6232036	37
4245084	19	6134160	93	6232065	27
4247204	83	6137109	61	6232080	13
4277042	11, 87, 89	6137157	105	6232084	27
4302134	103	6138181	21	6232085	27
4305043	33, 97	6138183	49	6232089	27
4311068	39	6138287	49	6232091	27
4312210	45	6151131	43	6232096	27
4322141	49	6201025	43	6232118	27
4407042	11	6208037	61	6232208	35, 37
4711020	83	6231034	39	6232263	27
4741050	99	6231035	47	6232305	33
4747171	89, 91	6231036	29	6232317	27
5220108	27	6231037	113	6233007	23
5900112	118	6231087	41	6233010	23
5900116	118	6231135	43	6233018	23
5900193	119	6231142	51, 53, 55	6233019	23
5900198	119	6231158	37	6233021	23
5900205	119	6231163	39	6233028	23
5900209	118	6231164	35	6233030	21
5900210	119	6231188	47	6233032	23
5900213	118	6231189	47	6233036	23
5900214	118	6231203	39	6233037	23
5900216	118	6231223	31, 43	6233048	21
5900221	119	6231232	33	6233058	23
5900243	118	6231372	29, 33	6233061	21
5900244	118	6231430	81	6233065	49
5900247	119	6231431	81	6233077	23

Part Number.....	Page	Part Number.....	Page	Part Number	Page
6233109	21	6237287	65	6337016	71, 73, 75
6233126	25	6237306	63	6337017	59
6233127	25	6237312	63	6337020	69, 71, 73, 75, 77, 79
6234106	27	6237315	59	6337021	79
6234279	103	6237335	105, 107, 109	6337022	79
6234295	49	6237340	45	6337023	67
6234603	87	6237342	45	6337024	79
6234620	87	6237355	105	6337030	79
6237008	75	6237356	61	6337032	79
6237014	69, 71, 73, 75, 77, 79	6237436	31, 61	6337044	107, 109
6237020	79	6237438	31, 61	6337049	107, 109
6237023	69, 71, 73, 75, 77	6237439	69	6337057	59
6237025	69, 71, 75	6237446	67, 73	6337076	59, 63
6237045	79	6238068	49	6337078	59, 63
6237053	69, 71, 73, 75, 77	6238070	99	6337079	59, 63
6237063	73, 75, 79	6238074	47	6337080	65
6237066	79	6238084	49	6337081	59
6237074	61	6238090	61	6337082	107, 109
6237077	61	6238104	47	6337085	63
6237095	79	6238136	47	6337087	79
6237097	79	6238137	47	6338015	55
6237106	73	6238138	47	6338016	53, 55
6237108	69, 71	6238166	51, 53, 55, 57	6338017	57
6237110	63	6247008	107, 109	6338021	61
6237111	63	6261130	59	6338022	47
6237115	59	6261132	59	6338027	51
6237116	69, 71, 73, 75, 77, 79	6262021	23	6338041	47
6237117	13, 63	6262046	35	6338047	49
6237119	63	6267301	107, 109	6338049	49
6237129	73	6272001	5	6338050	49
6237157	63	6330733	41	6338058	29
6237165	61	6332052	25	6339021	49
6237167	69, 71, 73, 75, 77	6333003	21	6341007	31, 59
6237170	61	6333004	25	6341027	31
6237172	61	6333005	25	6342012	13
6237176	73, 75, 77	6333006	25	6342040	35
6237177	69, 71	6333007	25	6342068	7
6237181	69, 71, 73, 75, 77	6333008	23, 25	6342069	5
6237184	31, 61	6333009	25	6342079	11
6237188	31, 61	6333010	25	6342081	11
6237192	63	6333011	25	6342082	11
6237193	63	6333012	25	6342086	7
6237194	63	6333015	23	6362014	111
6237195	59, 63	6333016	23	6367003	107, 109
6237241	65	6333020	25	6367018	65
		6335002	113	6368001	47

Part Number	Page	Part Number	Page	Part Number	Page
6382007	7	6408117	51, 53, 55	6734004	103
6382011	7	6408119	51, 53, 55, 57	6734005	99
6391020	45	6408134	53	6734006	103
6392024	23	6508006	47	6734009	101
6392028	7, 13	6508033	49	6734011	103
6398136	83	6525000	115	6734013	85
6400002	118	6525001	111, 115	6734014	85
6400003	118	6537013	69, 71, 77	6734015	99
6404004	87, 89	6537014	69, 71, 77	6734019	85
6404009	103	6537017	71, 75	6734020	85
6404013	93	6537018	69, 71, 75, 77	6734021	85
6404015	93	6537019	63	6734022	85
6404017	93	6537021	69, 71, 77	6734024	97
6404019	93	6537022	67, 77	6734031	91
6404022	87, 89	6537023	67, 69	6734032	91
6404023	87, 89	6537024	67, 71	6734033	91
6404024	87	6537025	67, 75	6734034	91
6404025	87	6537026	69, 71, 79	6734035	91
6404026	87	6537030	63	6734036	91
6404027	87, 95	6538001	29	6734037	91
6404030	95	6551006	83	6734038	91
6404031	87, 89	6551014	31, 83	6734039	91
6404033	93	6558007	47	6734040	91
6404034	23, 93	6559010	83	6734041	91
6404035	93	6559011	83	6734042	91
6404036	93	6701001	81	6734043	91
6404043	99	6701003	23	6734047	89
6404060	99	6701004	23	6734048	89
6404061	99	6701005	23	6734049	89
6404067	87, 95, 103	6701009	31, 81, 83	6734050	89
6404070	87	6701010	81	6734051	89
6404073	93	6701014	59	6734052	87
6404074	93	6702003	13	6734053	87, 89, 93
6404090	87	6702021	13	6734054	93
6404095	95	6703002	21	6734055	93
6404096	95	6703003	21	6734056	93
6404098	95	6709000	13	6734057	87
6404107	87, 95	6729000	47	6734060	87, 89
6404108	87, 95	6731067	29, 45	6734061	89
6404112	97	6732059	27	6734065	87, 97
6404113	87	6732060	27	6734066	87
6404114	87	6732064	27	6734067	89
6408028	51	6732065	27	6734068	89
6408113	55	6732083	13	6734072	101
6408114	55	6732084	13	6734073	87
6408115	55	6734003	103	6734074	87

Part Number.....	Page	Part Number.....	Page	Part Number	Page
6734076	87	6742003	11	9900203	15, 57
6734077	87	6742011	13	9900205	53
6734078	87	6746000	123	9900218	39
6734097	101	6746001	123	9900219	33
6734100	87	6761000	29	9900415	69, 71, 73, 75, 77, 79
6734117	89	6774002	85	9900425	27
6734120	97	6804055	101	9905010	47
6734121	101	6804061	87	9980332	123
6734122	97	6844001	99	9983778	123
6734124	87, 89	6844006	101	9984094	33
6734125	87, 89	6881040	103	9984629	121
6734126	99	6889000	103	9984636	43
6734132	89	7207027	55	9989046	121
6734133	89, 91	7215019	115	9989100	103, 121
6736001	123	8905011	17	9989639	111
6738008	49	8905012	17	9989672	121
6738015	47	9900012	43	9989674	121
6738027	49	9900031	11	9989676	45
6738032	47	9900067	113	9989685	113
6738033	47	9900078	9	9989718	119
6738038	47	9900081	9, 11, 13, 21, 27, 33, 35, 47, 59, 83, 117, 121	9989750	123
6738039	47			9989823	113
6740001	13	9900098	41	9992400	17
6741000	29	9900115	21		
6741007	59	9900121	17, 23	B	
6741011	31, 59	9900157	27, 61	B6700000	13
6741012	31, 59	9900160	19	G	
6741013	31, 59	9900170	17	G1472028	9
6742002	13			G6262033	11

Terms and Conditions of Sale

LIMITED WARRANTY: Subject to the limitation specified herein, all parts included on original equipment manufactured by CRANE MERCHANDISING SYSTEMS and sold to purchaser are warranted for two (2) years from the date of shipment of the equipment in question. This warranty applies only to the original purchaser of the Merchandiser and is null and void if the Merchandiser is sold during the period of warranty.

Defective parts will be repaired or replaced free of charge when the defective part is returned, with transportation charges prepaid by purchaser, to a destination designated by CRANE MERCHANDISING SYSTEMS.

This warranty does not include any cost of service rendered or repairs made by customer or its agents on Merchandiser, or parts, unless authorization to incur such expense has been given in writing by CRANE MERCHANDISING SYSTEMS prior to incurring such expense. This warranty covers labor and service charges performed by CRANE MERCHANDISING SYSTEMS service technicians for the first 90 days of ownership from date of shipment.

This warranty does not apply to A) electrical components, wiring, or circuits or mechanical parts or assemblies damaged as a result of operating the Merchandiser at other than the design voltage and frequency specified on the Electrical Rating Tag, or B) in event of vandalism, fire or negligence, or C) incandescent lamps, neon lamps, fluorescent lamps, ballasts, starters or other expendable items, or D) when seal is broken on electronic boards, or E) when other manufactured components are installed in CRANE MERCHANDISING SYSTEMS Merchandisers.

Replacement parts sold by CRANE MERCHANDISING SYSTEMS as After Market shall be covered for three months from the date shown on the parts invoice. Purchaser must obtain prior RETURN AUTHORIZATION for return of all parts, following guidelines given by CRANE MERCHANDISING SYSTEMS. New, unused parts purchased as After Market can be returned within 30 days from date of parts invoice, with prior authorization from CRANE MERCHANDISING SYSTEMS.

THIS WARRANTY IS IN LIEU OF ALL OTHER WARRANTIES EXPRESS OR IMPLIED, INCLUDING WITHOUT LIMITATION, WARRANTIES OF MERCHANTABILITY OF FITNESS FOR A PARTICULAR PURPOSE. CRANE MERCHANDISING SYSTEMS SHALL NOT BE RESPONSIBLE FOR CONSEQUENTIAL OR PUNITIVE DAMAGES. CRANE MERCHANDISING SYSTEMS neither assumes nor authorizes any person to assume for it any obligation or liability in connection with the sale of said equipment or any part thereof.

